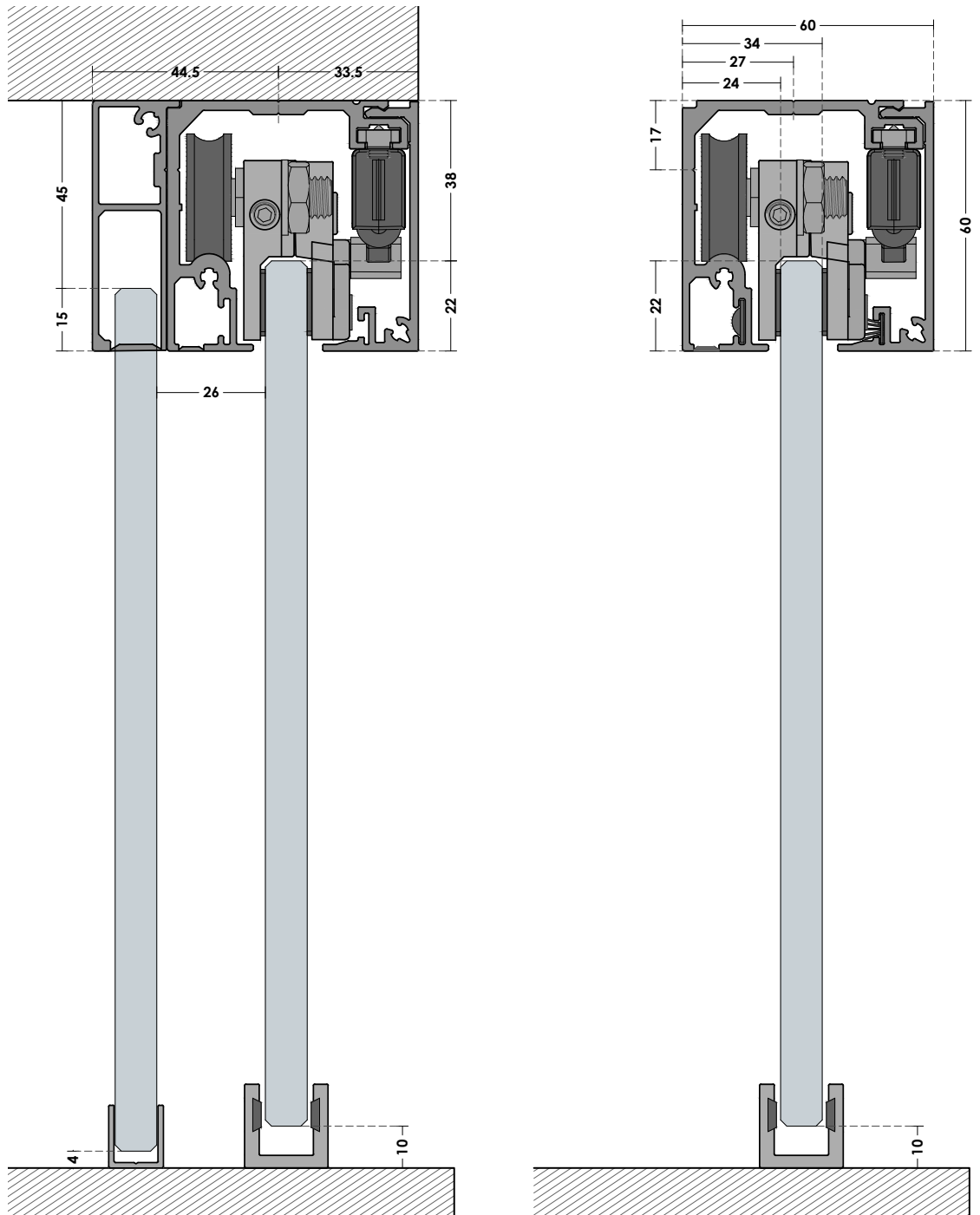




SOFTCLOSE SLIDING DOOR SERIES | D



SPECIFICATIONS

GLASS THICKNESS : 10 mm

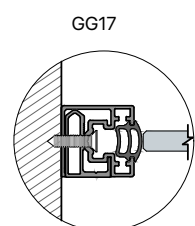
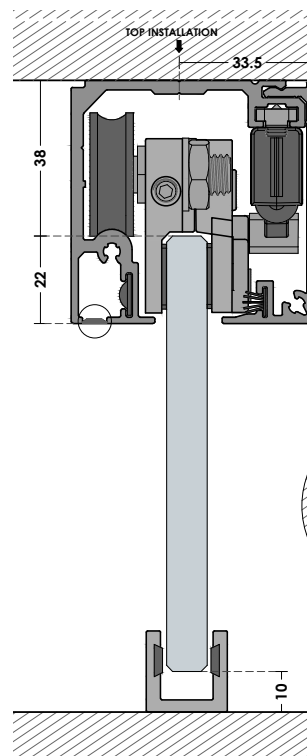
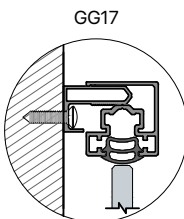
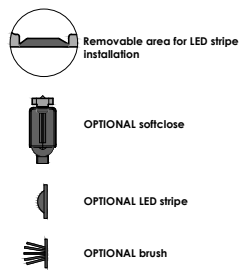
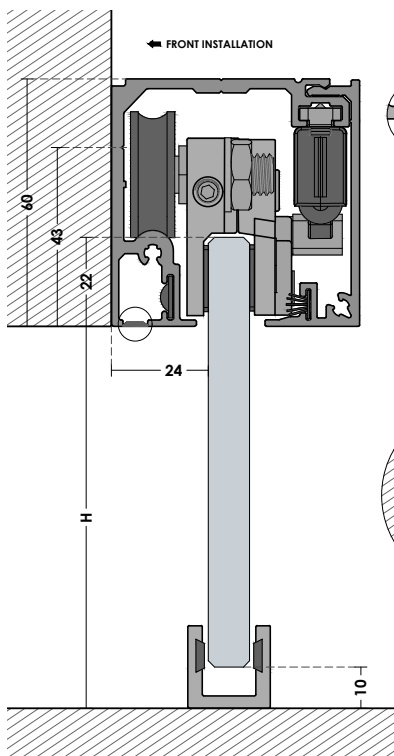
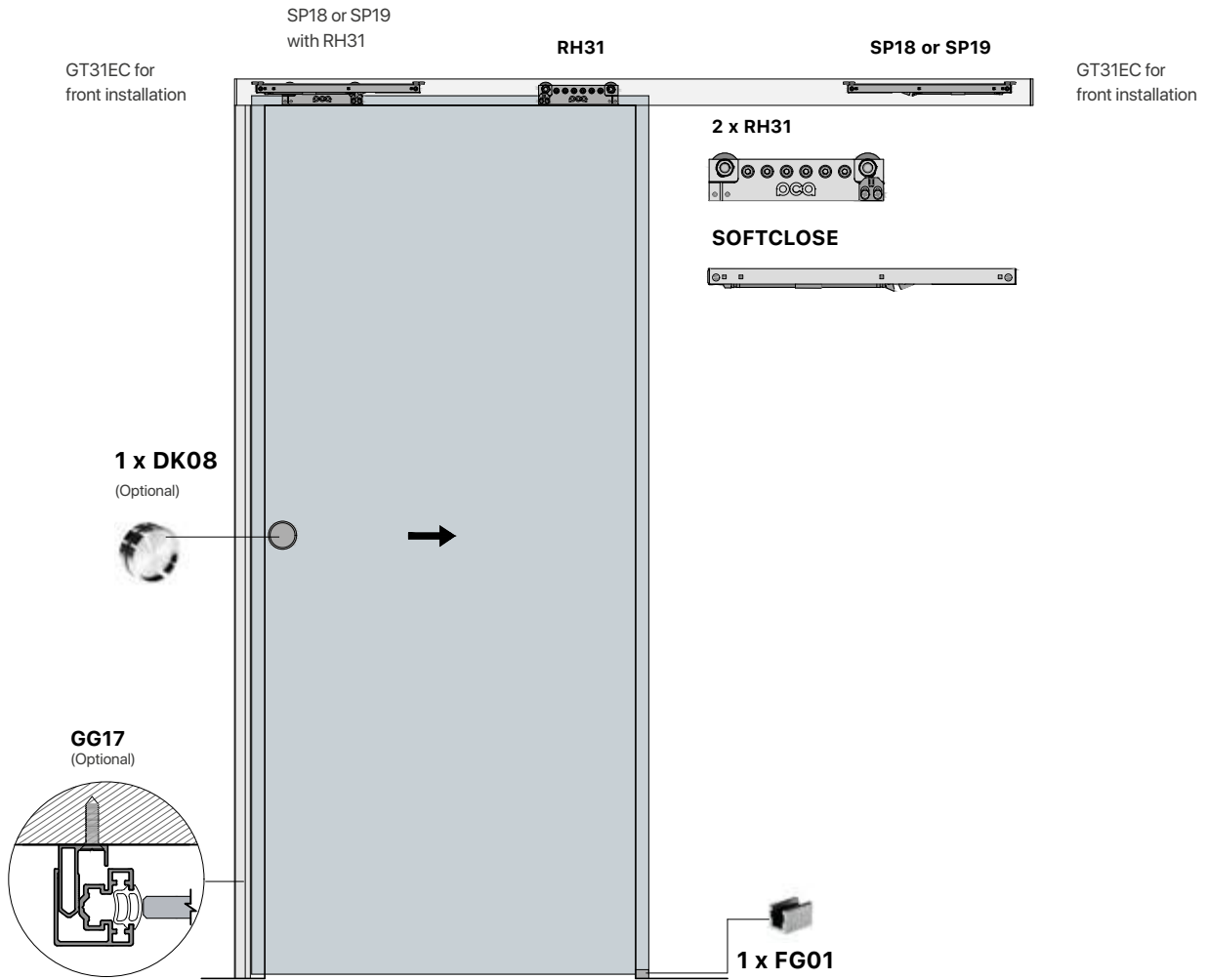
MAX. LOAD : 80kg

FUNCTION : SOFTCLOSE

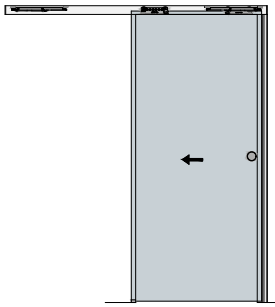
MATERIAL : Aluminium

FINISH : Satin, Natural Anodize & Black Anodize

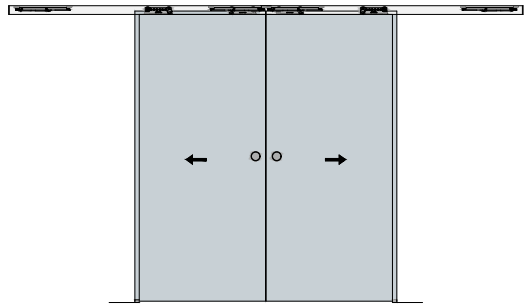




TYOLOGIES

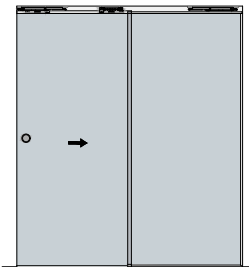


D 1000

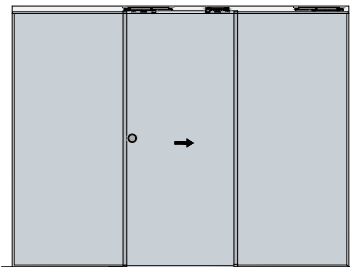


D 1002

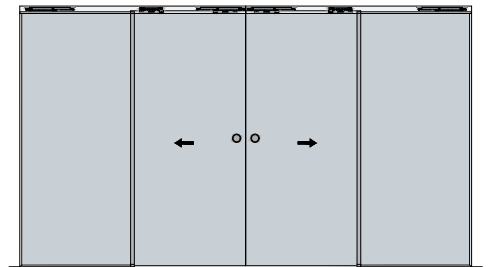
SLIDING DOORS



D 3000



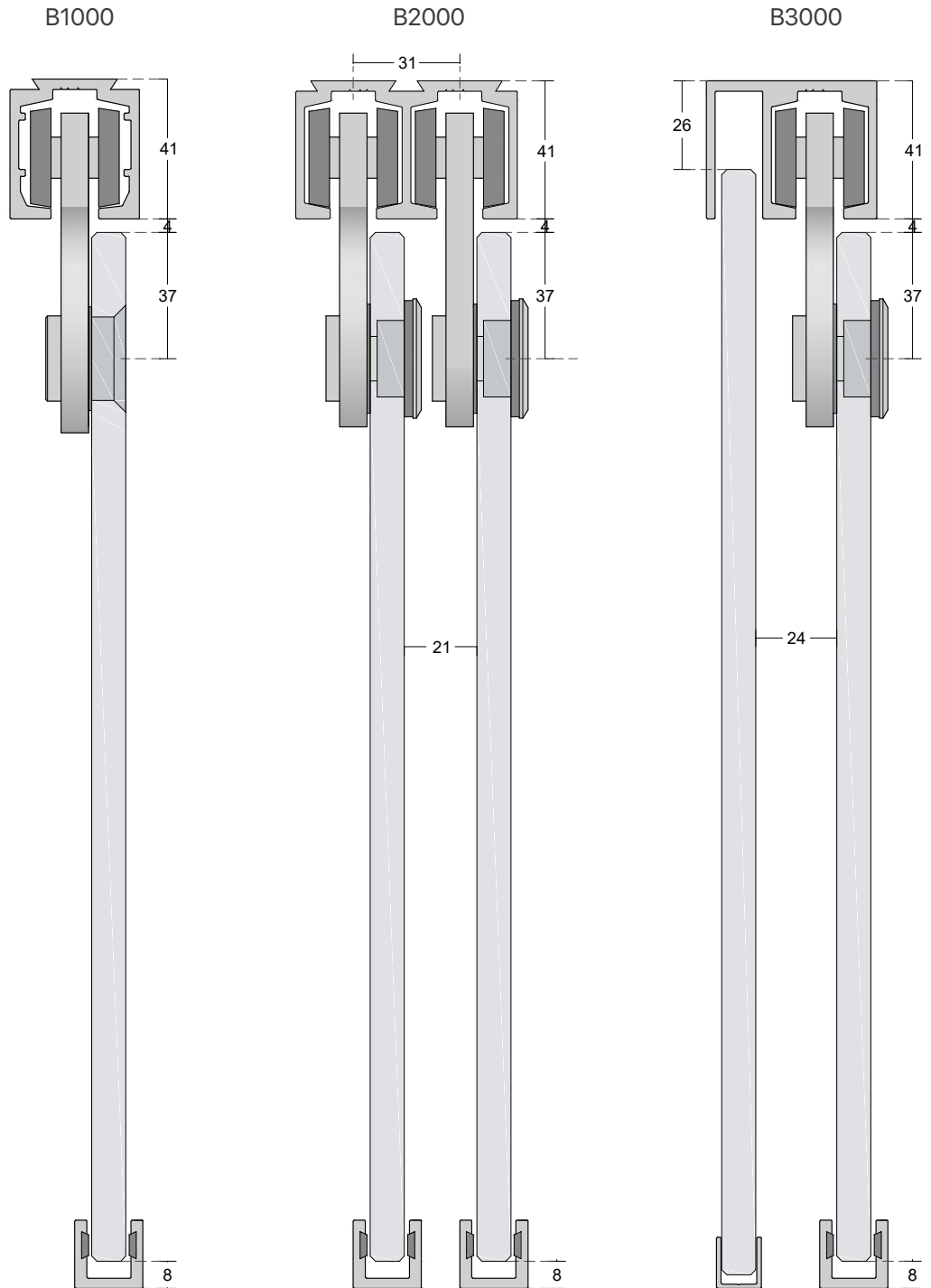
D 3001



D 3002







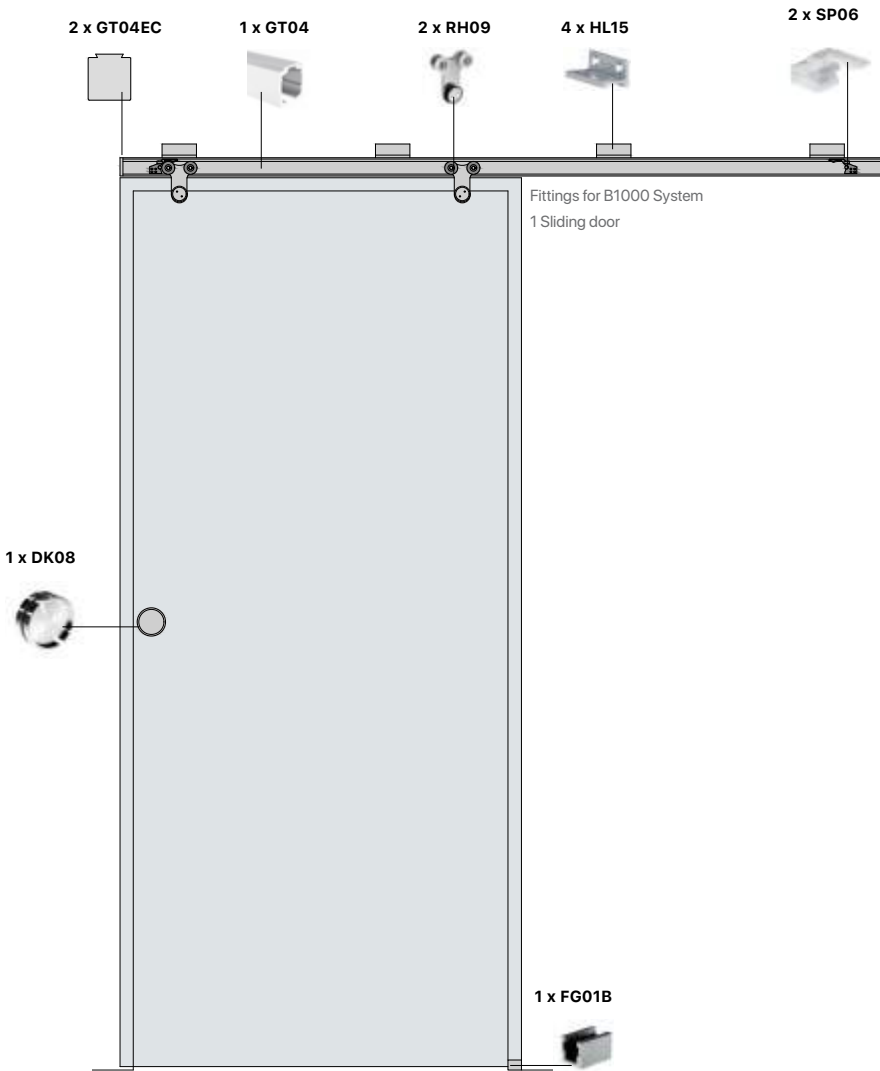
SPECIFICATIONS

GLASS THICKNESS : 10 mm

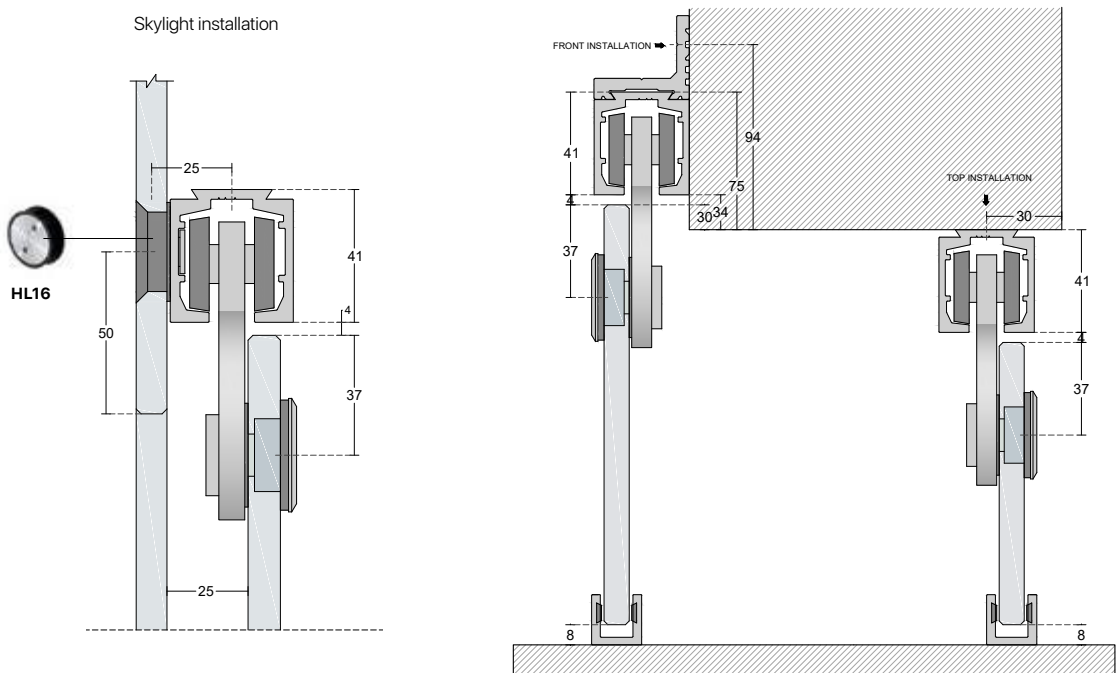
MAX. LOAD : 80kg

MATERIAL : Aluminium & Stainless Steel

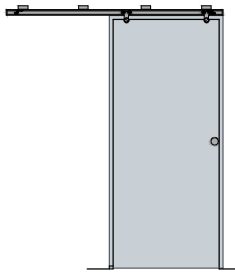
FINISH : Satin & Natural Anodize



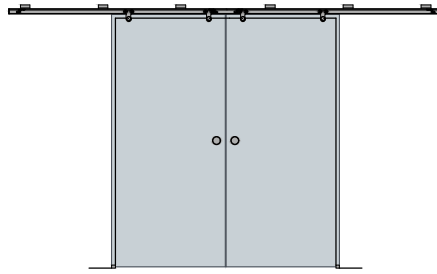
Skylight installation



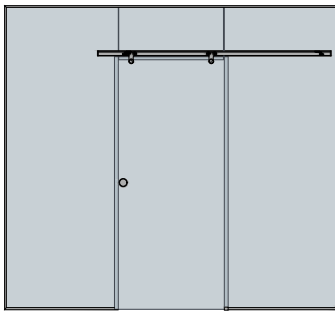
TYPOLOGIES



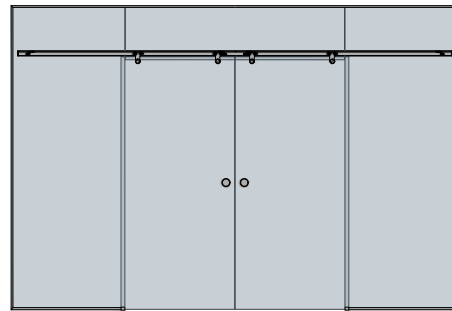
B 1000



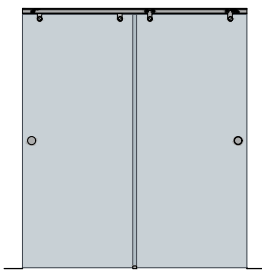
B 1002



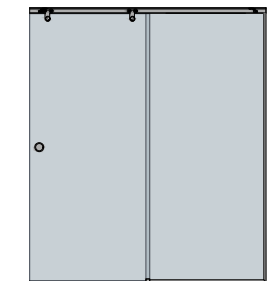
B 1004



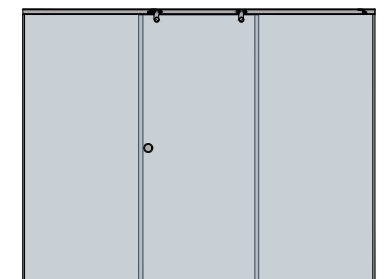
B 1005



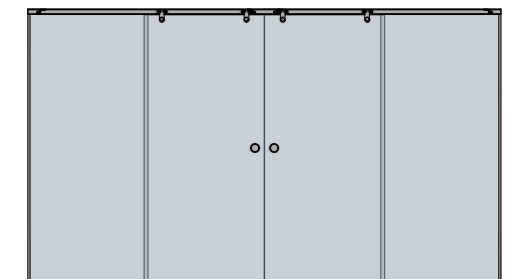
B 2000



B 3000

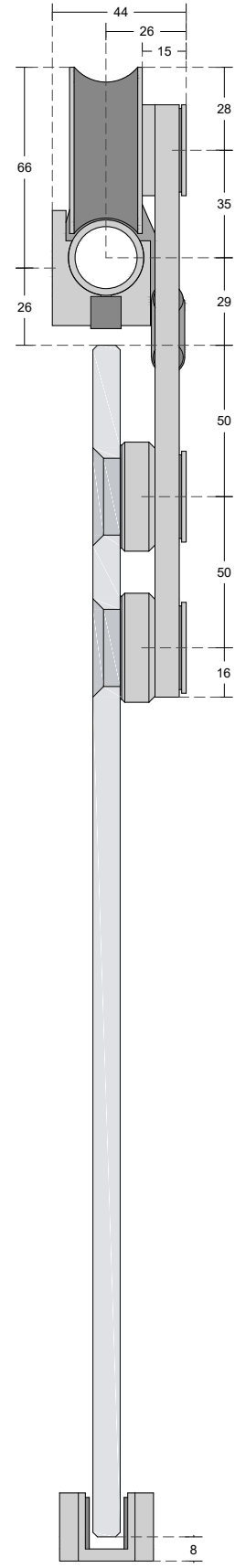


B 3001



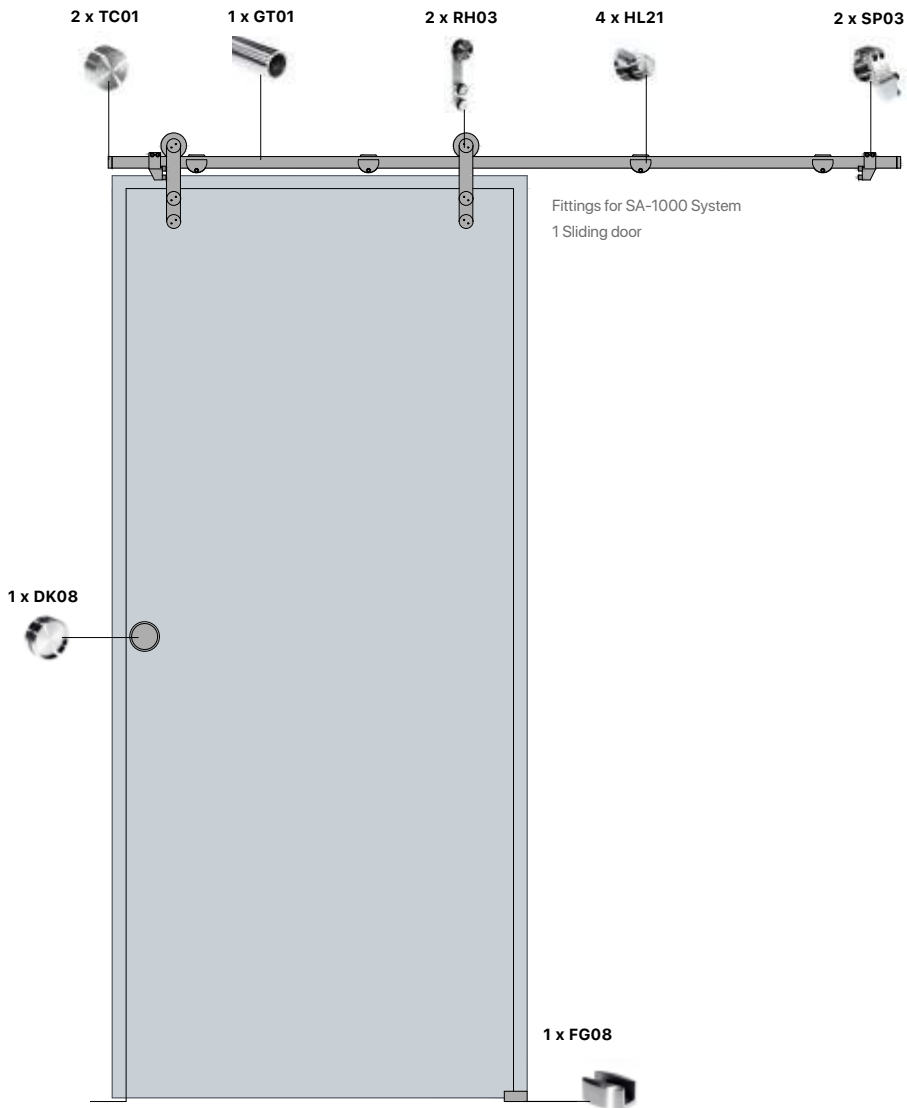
B 3002



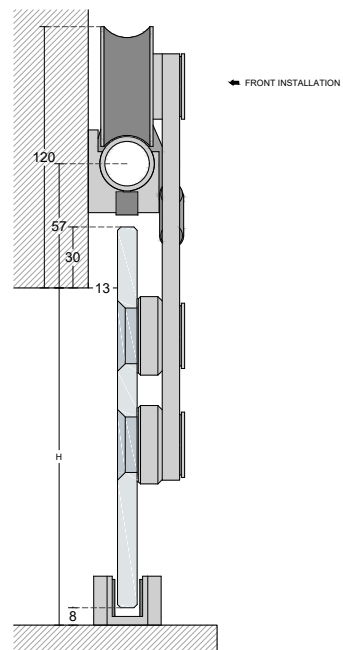
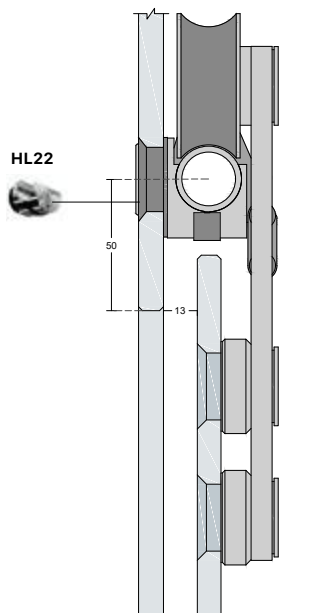


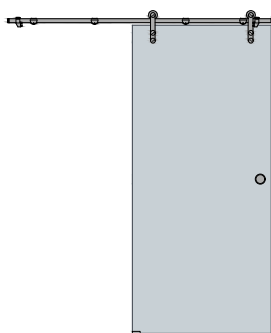
SPECIFICATIONS

- GLASS THICKNESS : 10-12 mm
- MAX. LOAD : 80kg
- MATERIAL : Stainless Steel
- FINISH : Satin

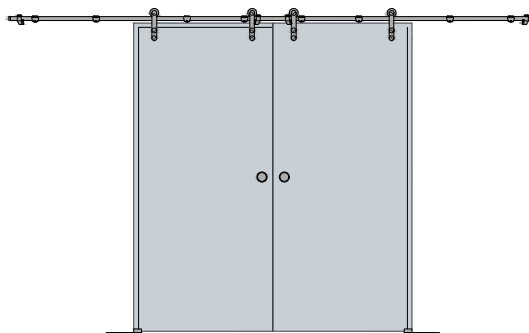


Skylight installation

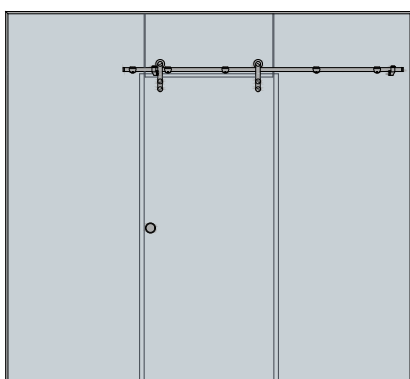




SA 1000



SA 1002



SA 1004



SA 1005





TELESCOPIC SYNCHRONIZED SLIDING DOOR

V1000

SLIDING DOORS



SPECIFICATIONS

GLASS THICKNESS : 10 mm

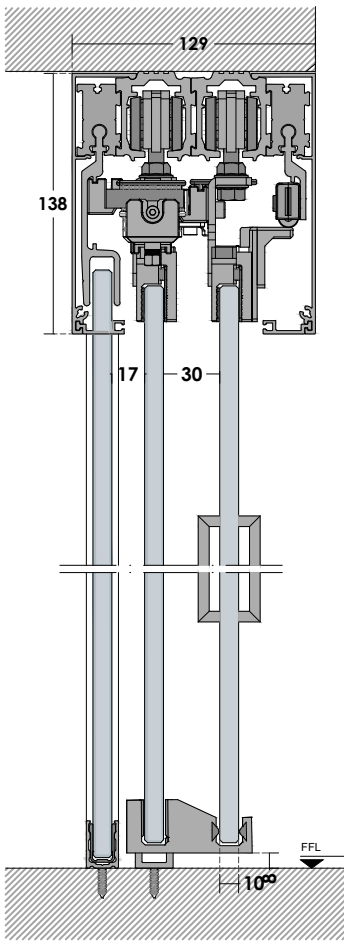
MAX. LOAD : 80kg

FUNCTION : TELESCOPIC SYNCHRONIZATION

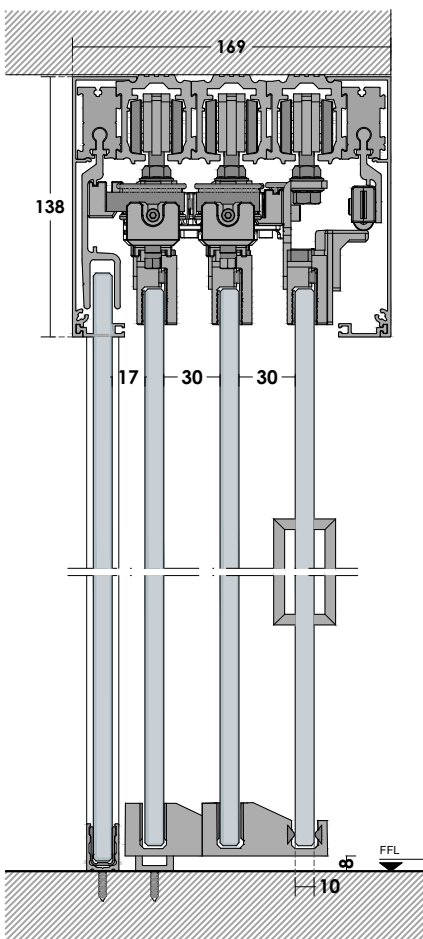
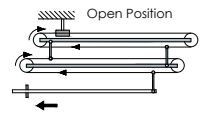
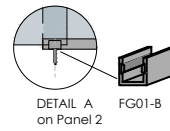
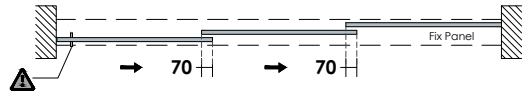
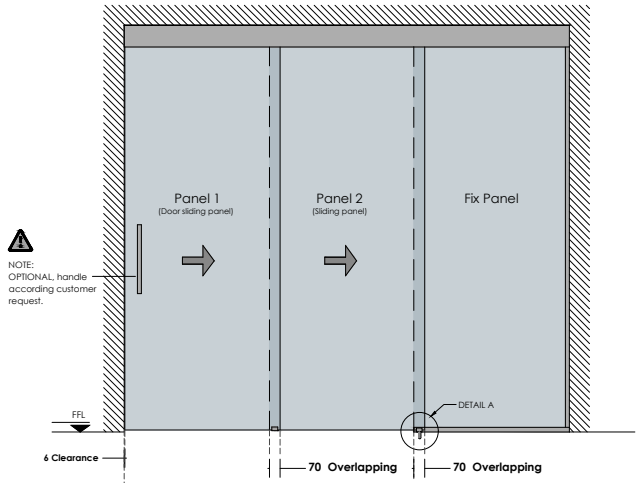
MATERIAL : Aluminium

FINISH : Satin & Natural Anodize

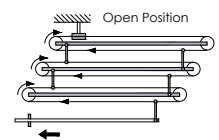
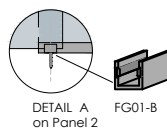
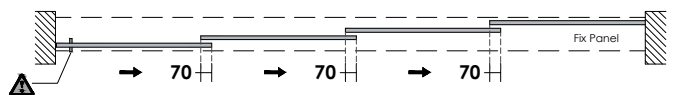
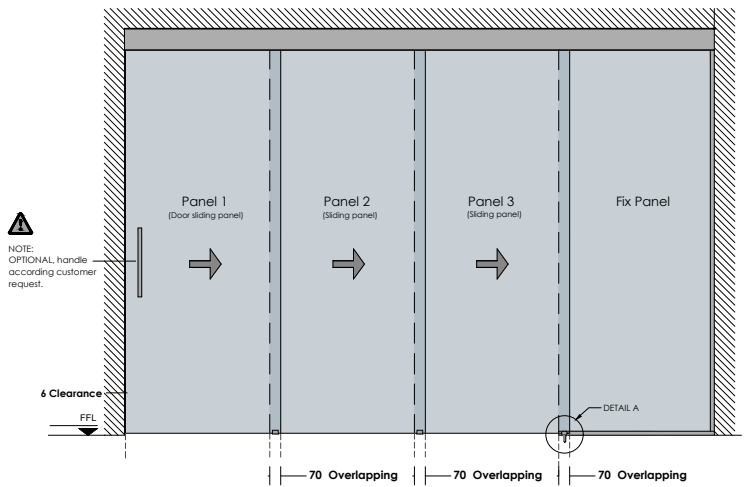


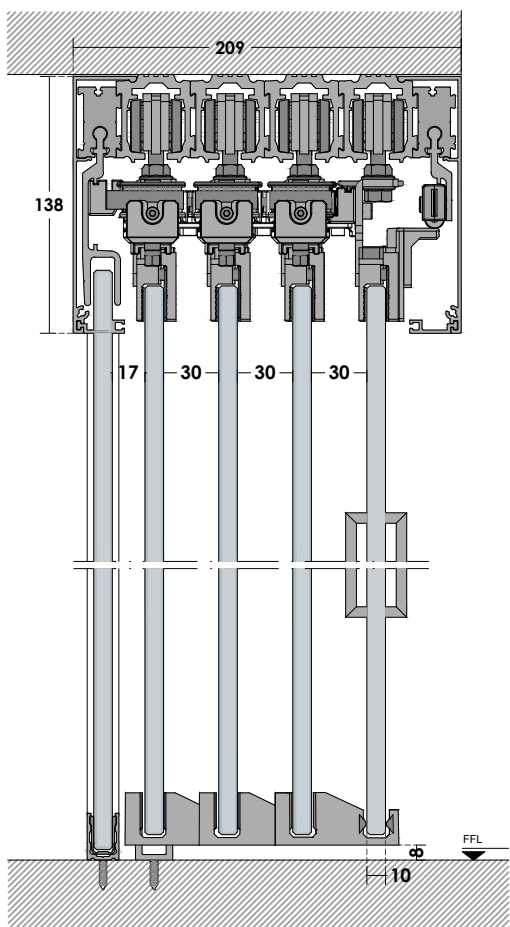


V 1002 - MODEL



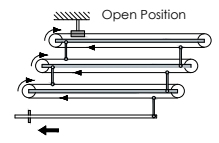
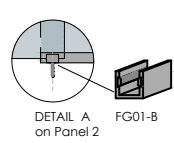
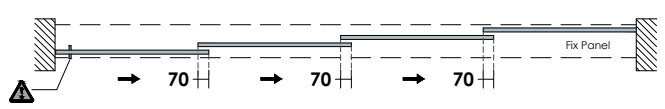
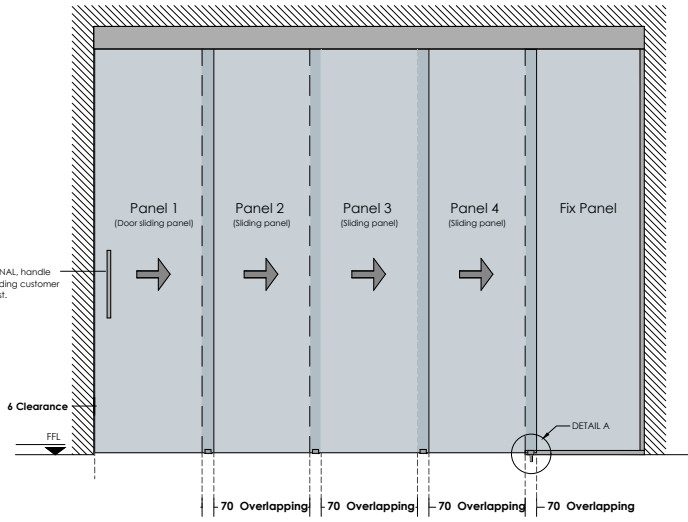
V 1003 - MODEL





V 1004 - MODEL

⚠ NOTE:
OPTIONAL handle
according customer
request.



SLIDING DOORS

SPECIFICATIONS

GLASS THICKNESS : 6,8 mm

MAX. LOAD : 80kg

FUNCTION : SOFTCLOSE

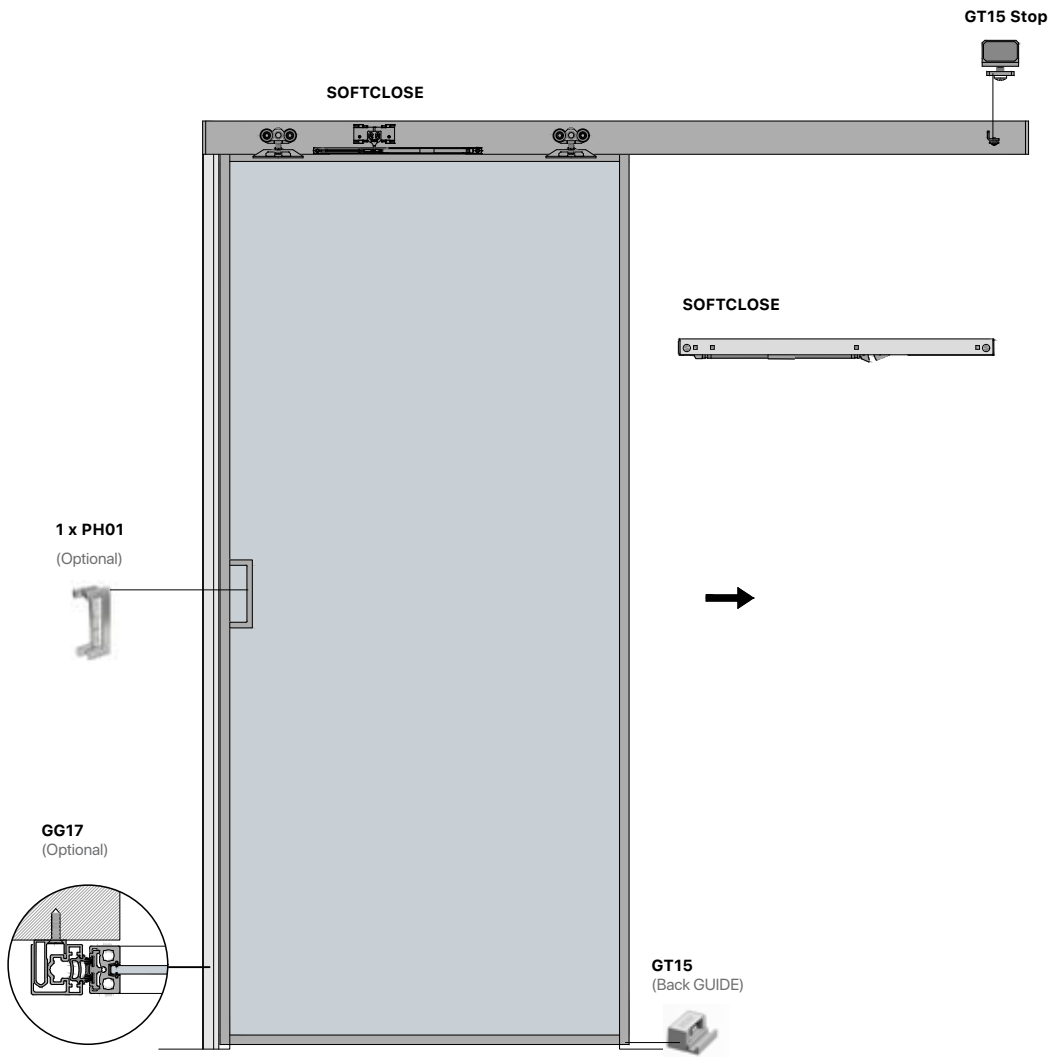
MATERIAL : Aluminium

FINISH : Satin & Natural Anodize & Black Anodize

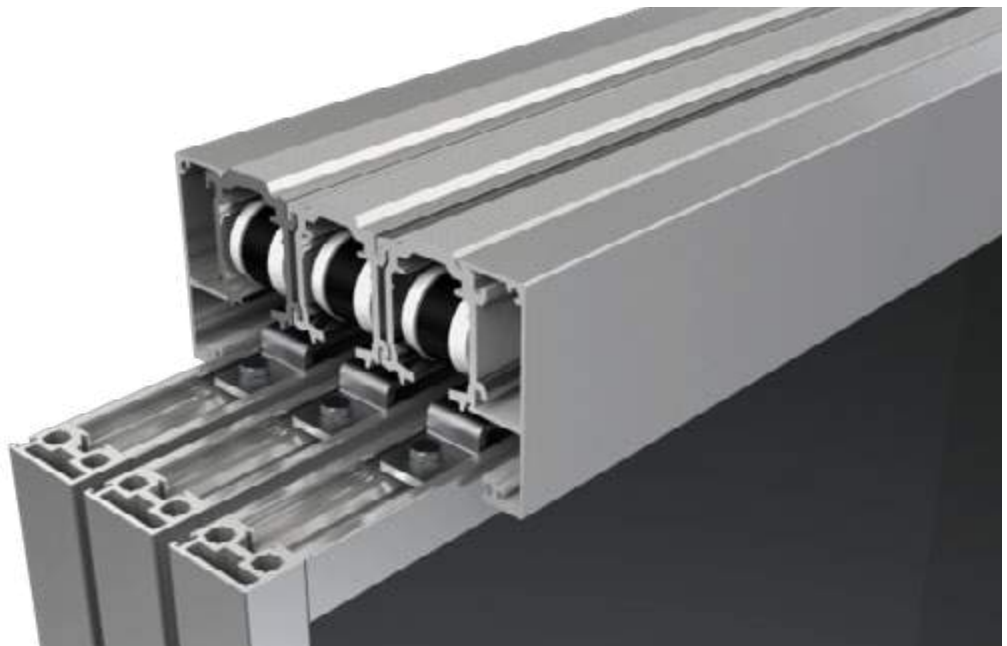


SOFTCLOSE SLIDING DOOR SERIES | **V2000**

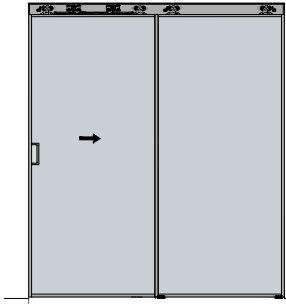




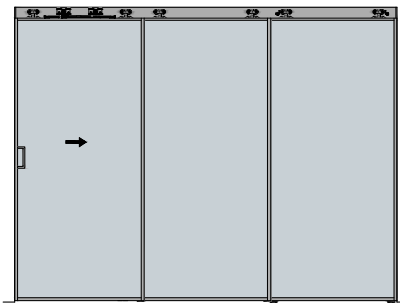
- PANEL < 637mm → NO SOFTCLOSE
- 637mm ≥ PANEL > 1012mm → 1 SOFTCLOSE
- 1012mm ≥ PANEL ≥ 1250mm → 2 SOFTCLOSE



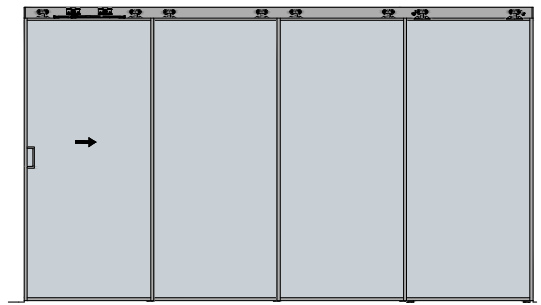
TYOLOGIES



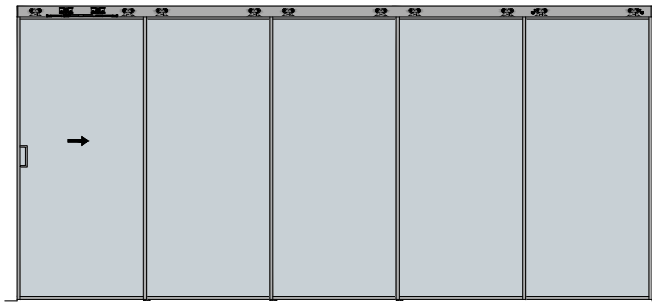
V 2001
Ceiling Installation



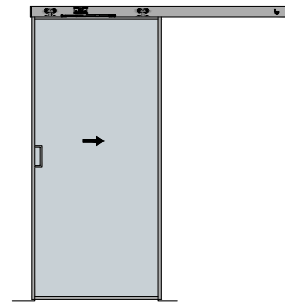
V 2002
Ceiling Installation



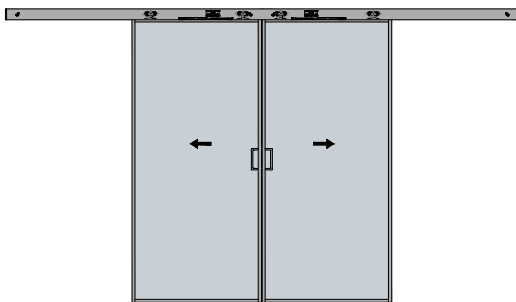
V 2003
Ceiling Installation



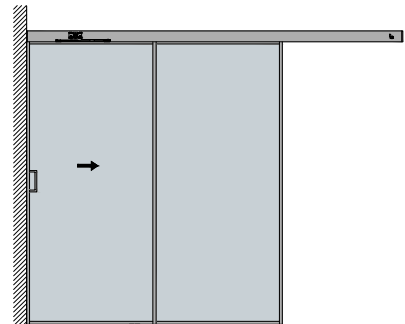
V 2004
Ceiling Installation



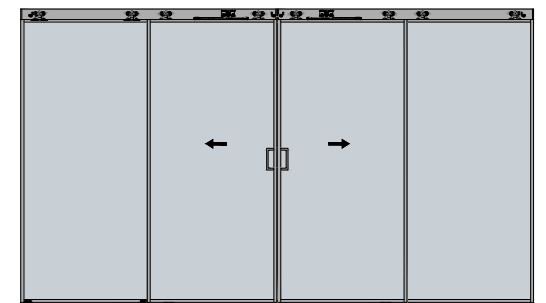
V 2005
Front Installation



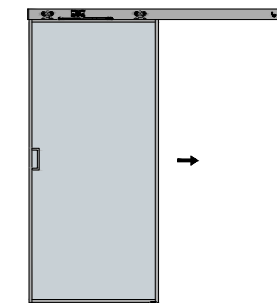
V 2006
Front Installation



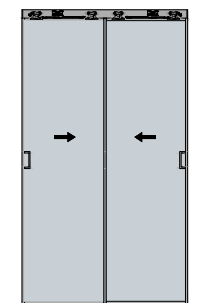
V 2007
Front Installation



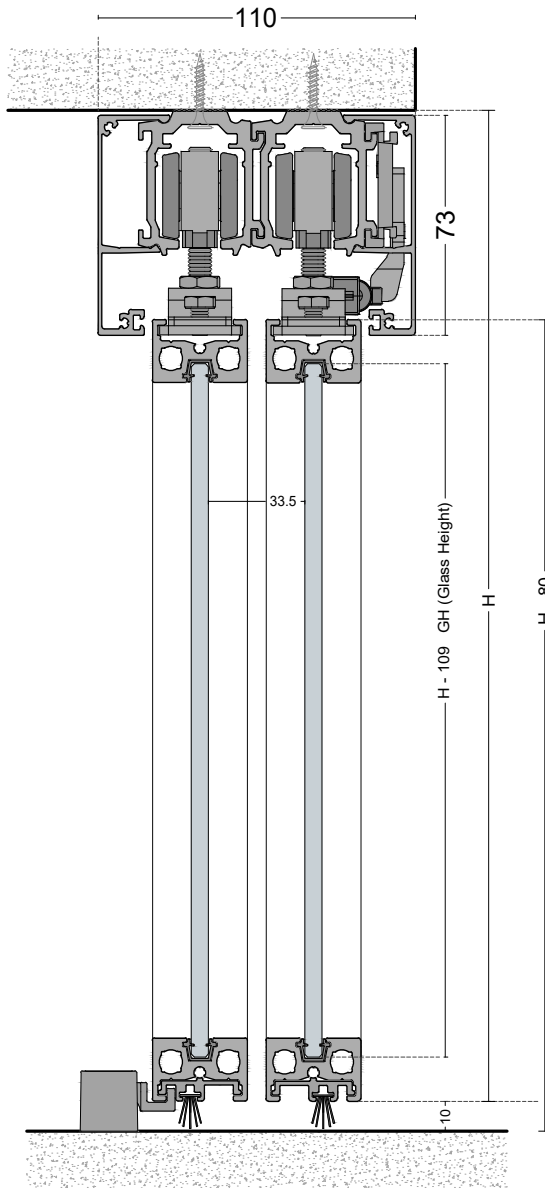
V 2008
Ceiling Installation



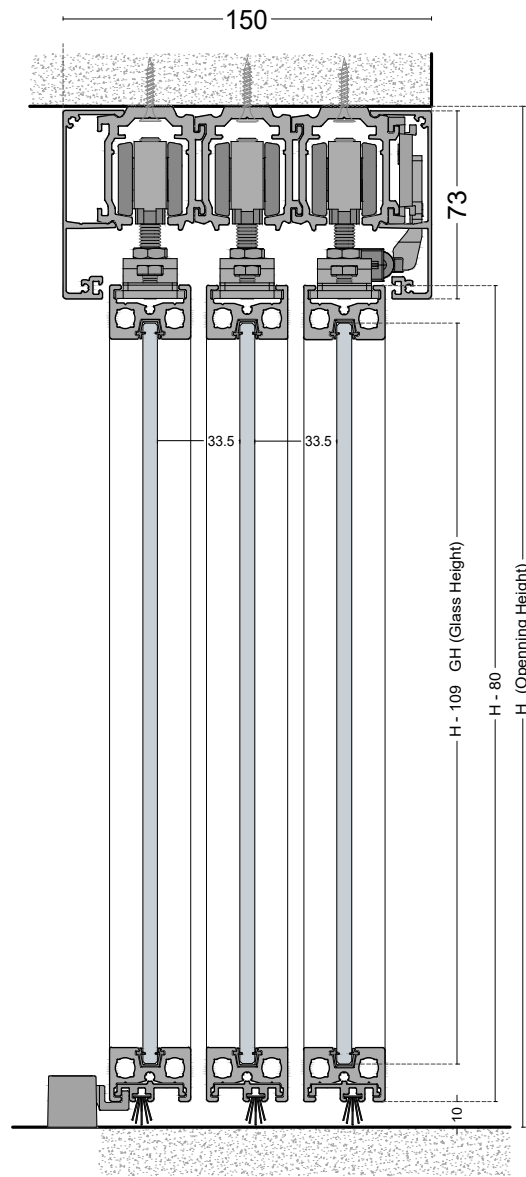
V 2009
Ceiling Installation



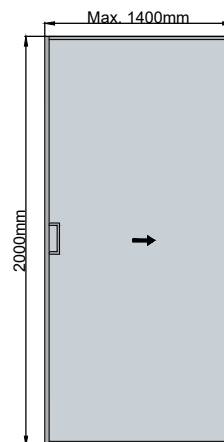
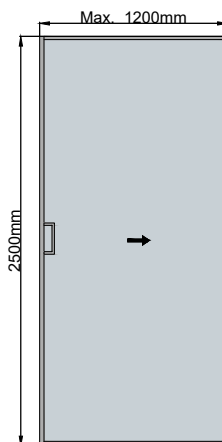
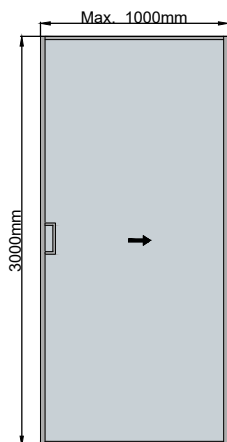
V 2010
Ceiling Installation

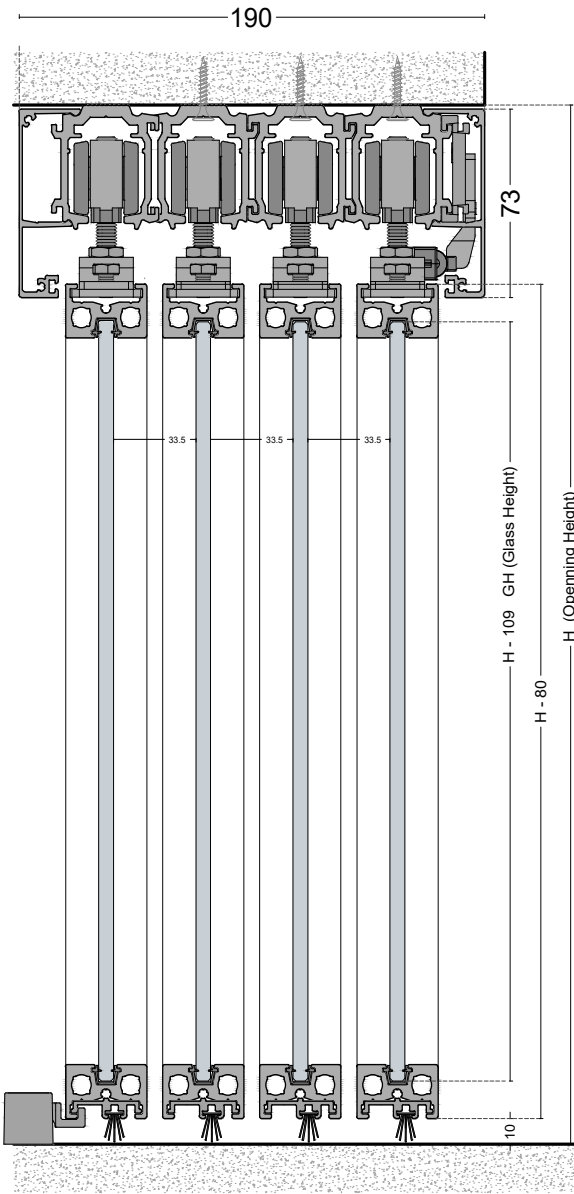


V 2001

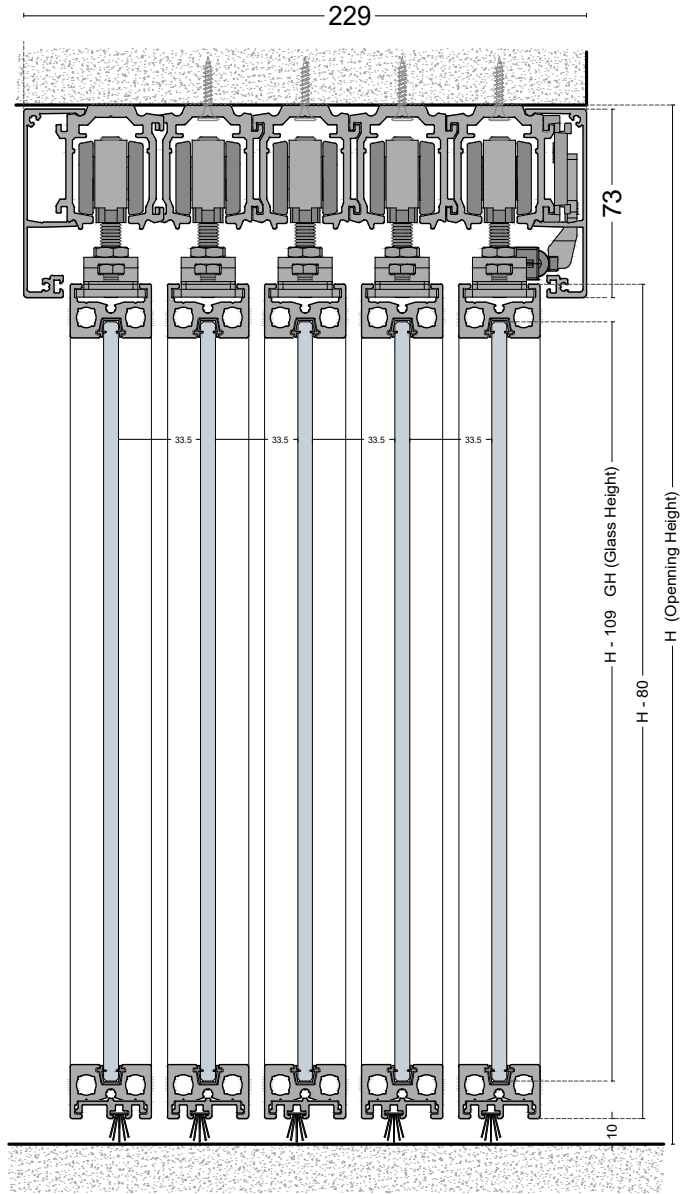


V 2002





V 2003



V 2004

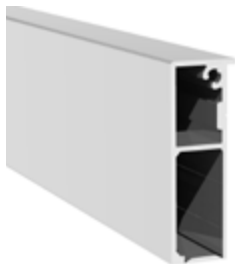
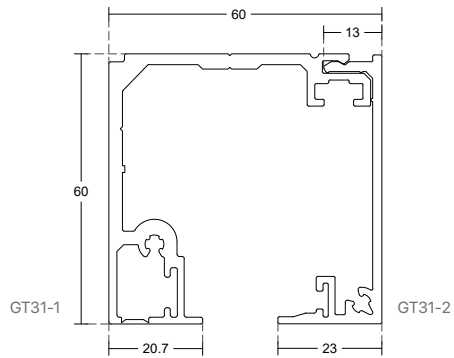
SLIDING DOORS

Material: Aluminium
 Finish: Satin, Natural Anodize, Black Anodize
 Glass Thickness: 6mm, 8mm
 Maximum Dimensions: 1000x3000, 1200x2500, 1400x2000

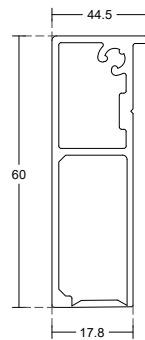
PRODUCT LIST



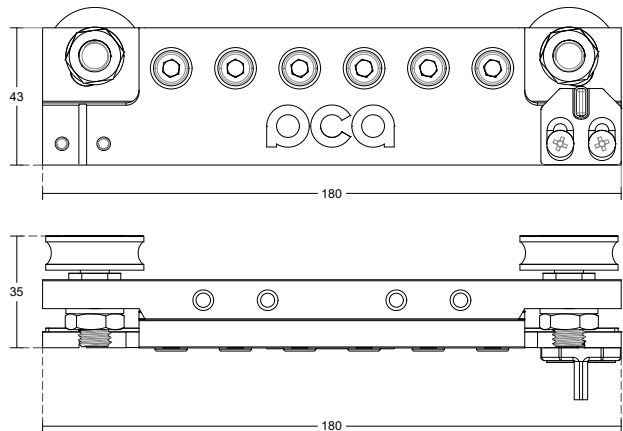
PCA-GT31
Guide Track Profile
 580 cm | Length
 Aluminium | Material
 Natural Anodize, Satin, Black | Finish



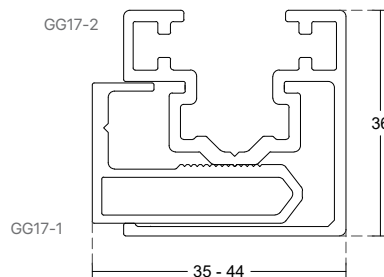
PCA-GT31-3
Guide Track Profile
 580 cm | Length
 Aluminium | Material
 Natural Anodize, Satin, Black | Finish

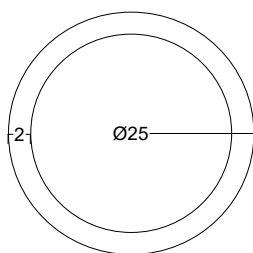


PCA-RH31
Roller Hanger
 40kg/piece | Max. Weight
 10mm | Glass Thickness
 Stainless Steel | Material
 Black | Finish



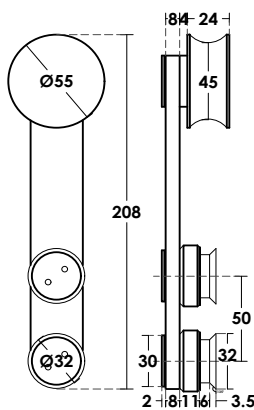
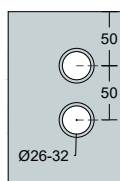
PCA-GG17
Guide Track Profile
 580 cm | Length
 Aluminium | Material
 Natural Anodize, Satin, Black | Finish



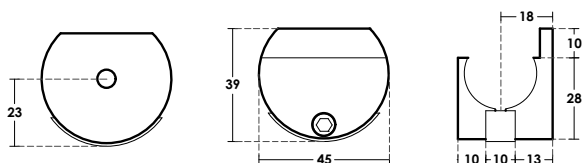


PCA-GT01
Guide Track Profile
 600cm | Length
 Stainless Steel 304 | Material
 Satin | Finish

Glass Cut

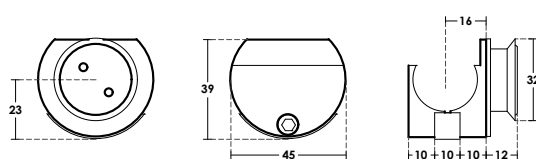


PCA-RH03
Round Track Roller Hanger
 80kg | Max. Weight
 10mm | Glass Thickness
 Stainless Steel | Material
 Satin | Finish

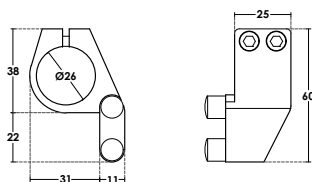


PCA-HL21
Round Track-Wall Holder
 40kg | Max. Weight
 Stainless Steel | Material
 Satin | Finish

Glass Cut



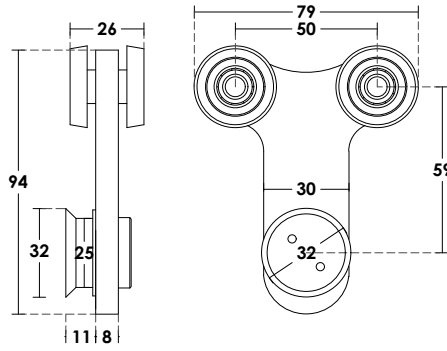
PCA-HL22
Round Track-Glass Holder
 40kg | Max. Weight
 10mm | Glass Thickness
 Stainless Steel | Material
 Satin | Finish



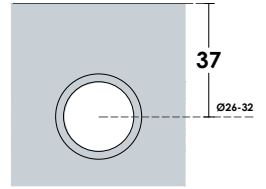
PCA-SP03L | SPO3R
Round Track Stop SET
 Stainless Steel | Material
 Satin | Finish



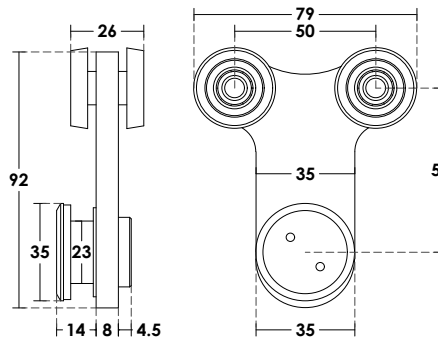
**PCA-RH08
Roller Hanger**
40kg | Max. Weight
10mm | Glass Thickness
Stainless Steel | Material
Satin | Finish



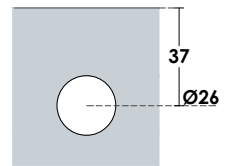
Glass Cut



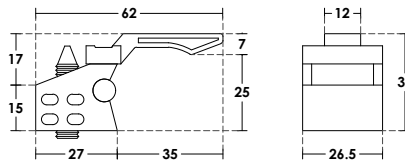
**PCA-RH09
Roller Hanger**
40kg | Max. Weight
10mm | Glass Thickness
Stainless Steel | Material
Satin | Finish



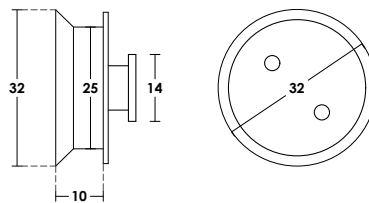
Glass Cut



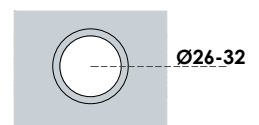
**PCA-SP06
Stop**
PVC | Material
White | Finish



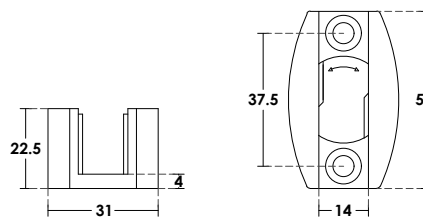
**PCA-HL16
Track-Glass Holder**
20kg | Max. Weight
10mm | Glass Thickness
Stainless Steel | Material
Satin | Finish



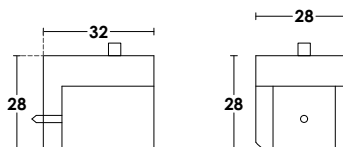
Glass Cut

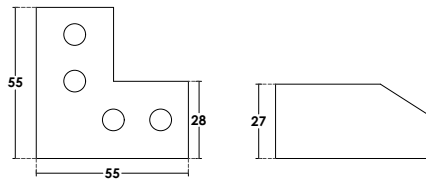


**PCA-FG08
Floor Guide**
8,10,12mm | Glass Thickness
Stainless Steel | Material
Satin | Finish

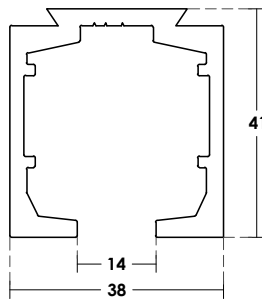


**PCA-HL18
Track Holder**
PVC | Material

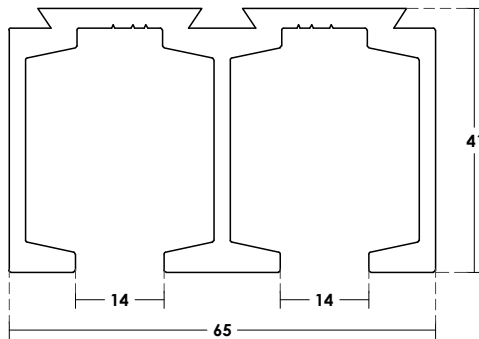




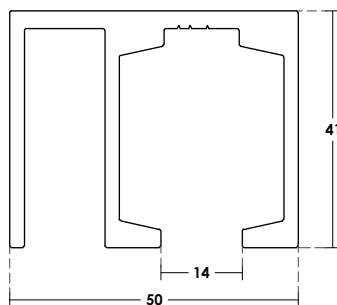
PCA-HL17
Track Holder
PVC | Material



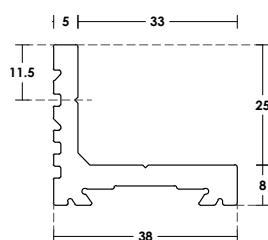
PCA-GT04
Guide Track Profile
580 cm | Length
1,248kg | Weight/meter
Aluminium | Material
Natural Anodize, Satin | Finish



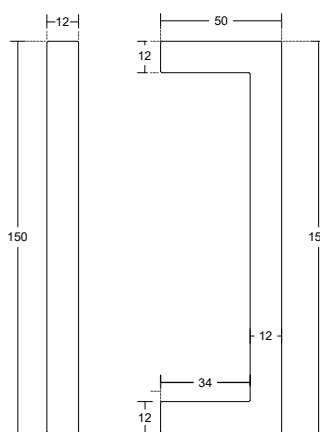
PCA-GT05
Guide Track Profile
580 cm | Length
1,802kg | Weight/meter
Aluminium | Material
Natural Anodize, Satin | Finish



PCA-GT06
Guide Track Profile
580 cm | Length
1,505kg | Weight/meter
Aluminium | Material
Natural Anodize, Satin | Finish



PCA-HL15
Guide Track Fixing Profile
120 mm | Length
0,915kg | Weight/meter
Aluminium | Material
Satin | Finish

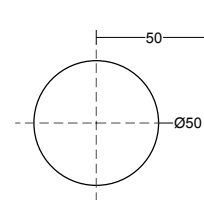
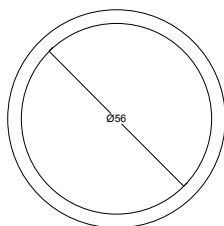


PCA-PH01
Door Handle

8,10mm | Glass Thickness
Stainless Steel | Material
Natural Anodize, Satin, Black | Finish



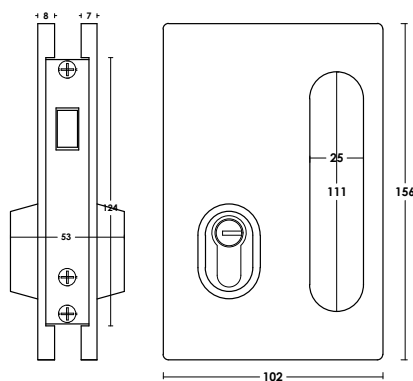
Including Very Hi-Bond Adhesive Tape



Glass Cut

PCA-DK08
Sliding Door Knob

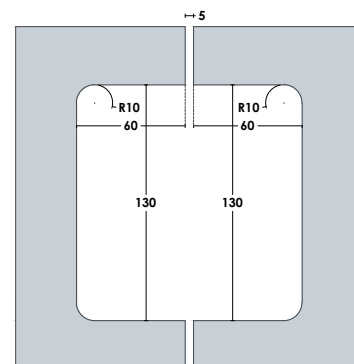
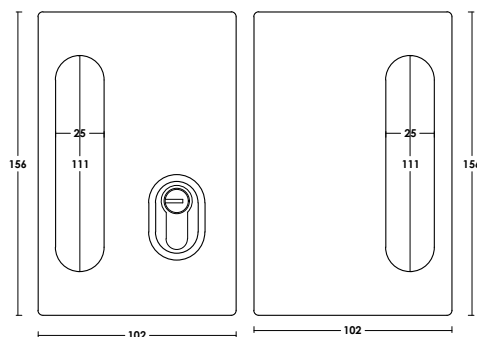
8-12mm | Glass Thickness
Aluminium, Stainless Steel 304 | Material
Satin, Black | Finish



Glass Cut

PCA-DL09
Sliding Door Lock

8,10mm | Glass Thickness
Stainless Steel | Material
Satin | Finish

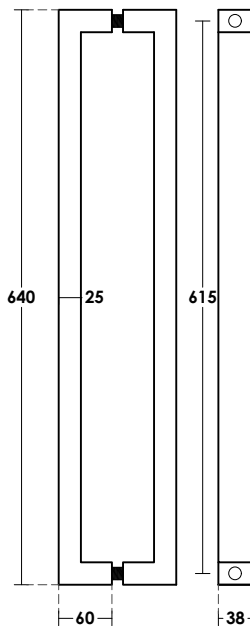
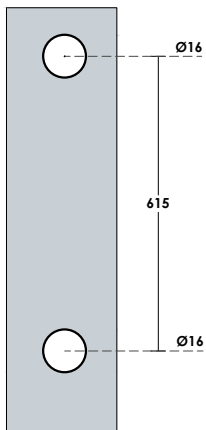


Glass Cut

PCA-DL09B
Sliding Door Lock

8,10mm | Glass Thickness
Stainless Steel | Material
Satin | Finish

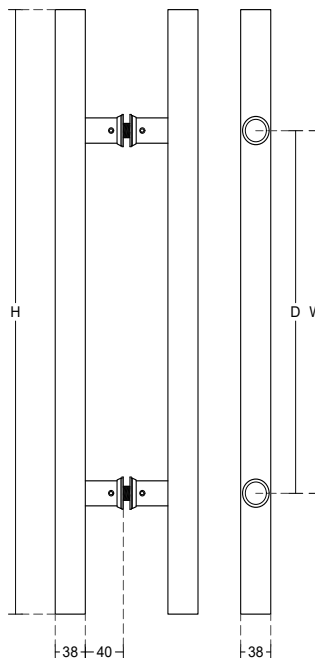
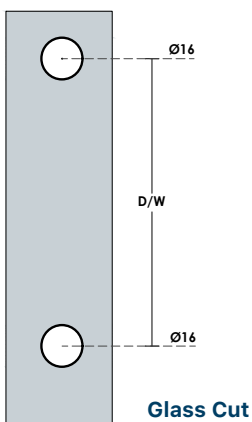




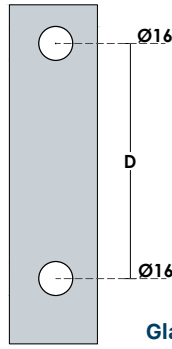
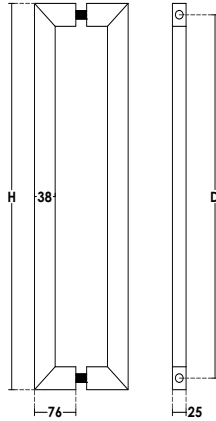
PCA-HD13
Door Handle 38x25 mm
 10 mm | Glass Thickness
 Stainless Steel 304 | Material
 Satin | Finish

AVAILABLE DIMENSIONS

	HEIGHT	C-C-D	C-C-W
HD01A	60cm	36cm	
HD01B/HD01BW	80cm	50cm	62,5cm
HD01C/HD01CW	100cm	60cm	82,5cm
HD01D/HD01DW	120cm	80cm	90cm
HD01E/HD01EW	150cm	100cm	102,5cm
HD01F/HD01FW	180cm	120cm	130cm
HD01G	200cm	140cm	
HD01H	50cm	23cm	



PCA-HD01
Door Handle Ø38mm
 10 mm | Glass Thickness
 Stainless Steel 304 | Material
 Satin | Finish

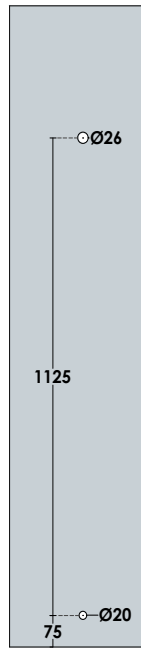
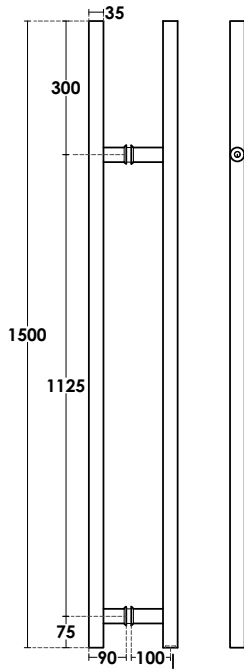


Glass Cut

AVAILABLE DIMENSIONS

	HEIGHT	C-C-D
HD03A	64cm	60cm
HD03B	104cm	100cm
HD03C	144cm	140cm
HD03D	36cm	32cm

PCA-HD03
Door Handle 25x38 mm
 10 mm | Glass Thickness
 Stainless Steel 304 | Material
 Satin | Finish



Glass Cut

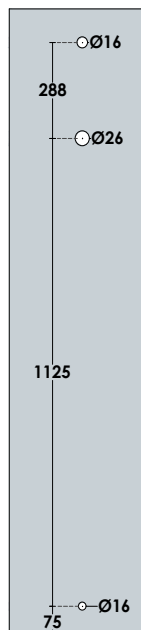
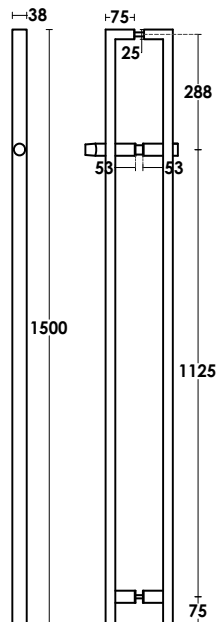
HD06



HD06A



PCA-HD06
Door Lock - Handle Ø35mm
 10-12 mm | Glass Thickness
 Stainless Steel 304 | Material
 Satin | Finish



Glass Cut



PCA-HD14
Door Lock - Handle Ø35mm
 10-12 mm | Glass Thickness
 Stainless Steel 304 | Material
 Satin | Finish

