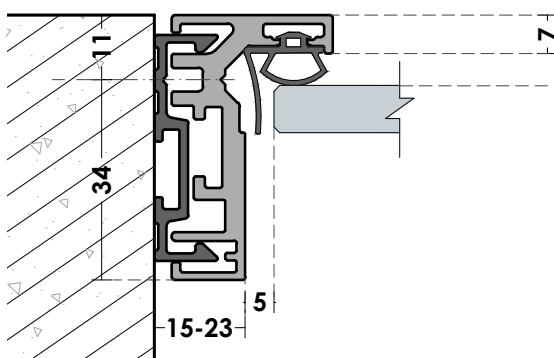
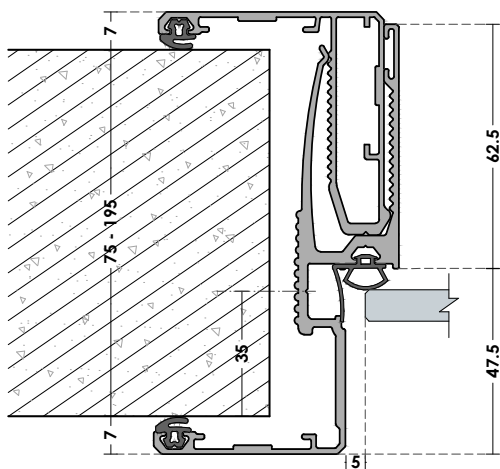


FRAME DOORS

A1 | GT10 & GT09 profile



A2 | GT11 profile



pg. 116

pg. 117

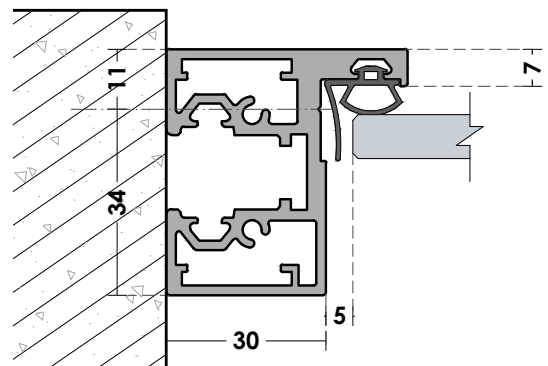
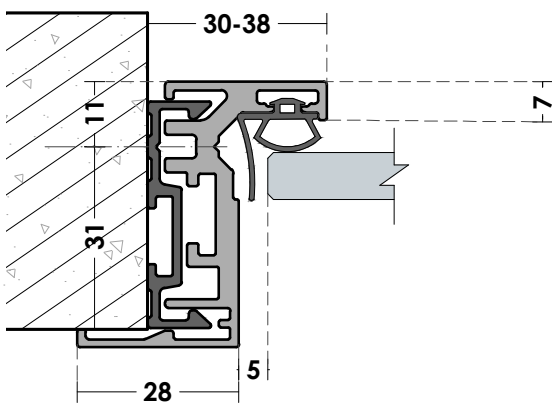
A3 | GT13 profile



A4 | GT12 profile

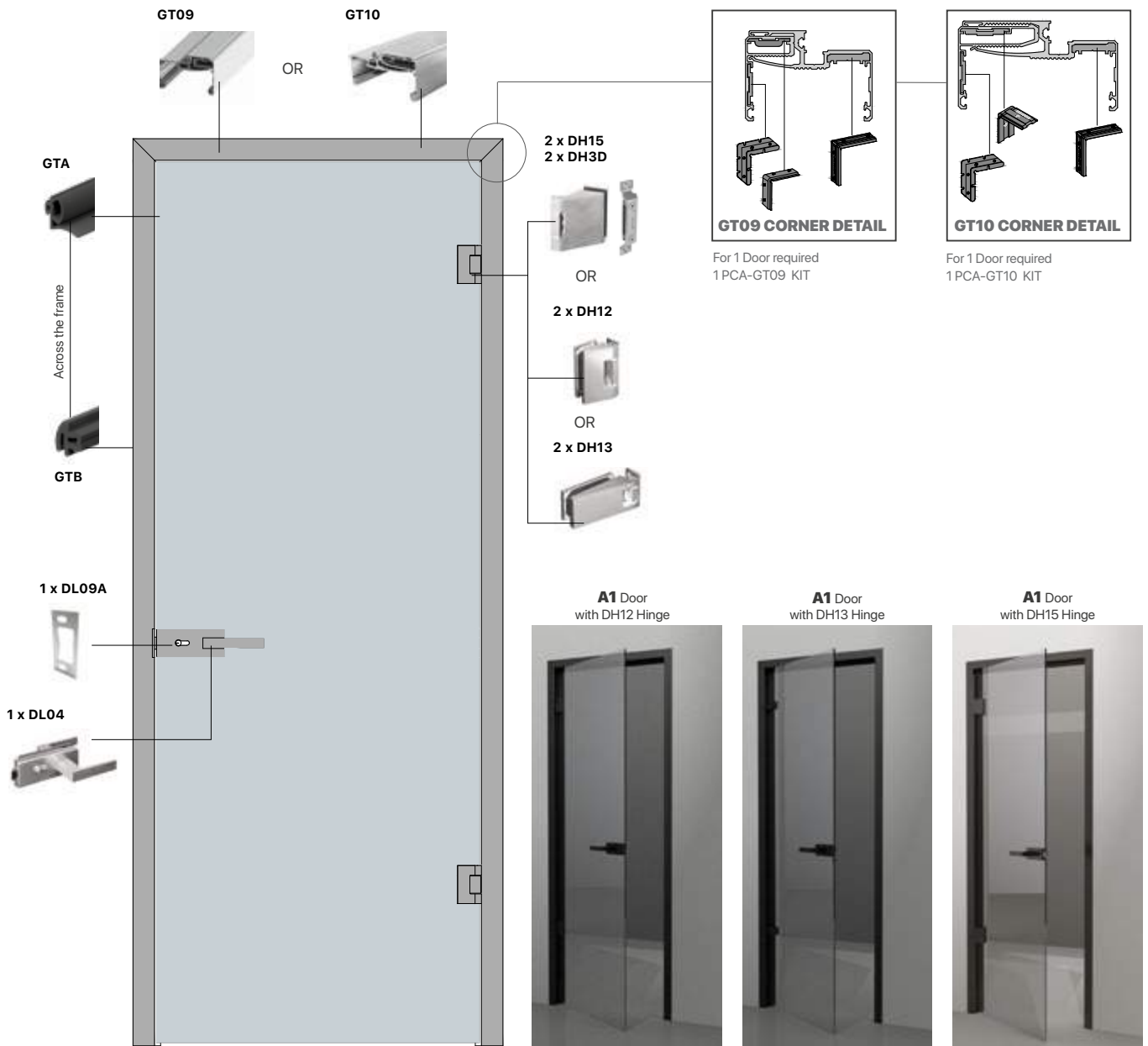


DOORS

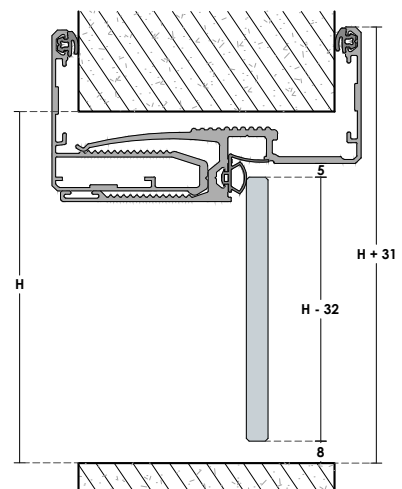
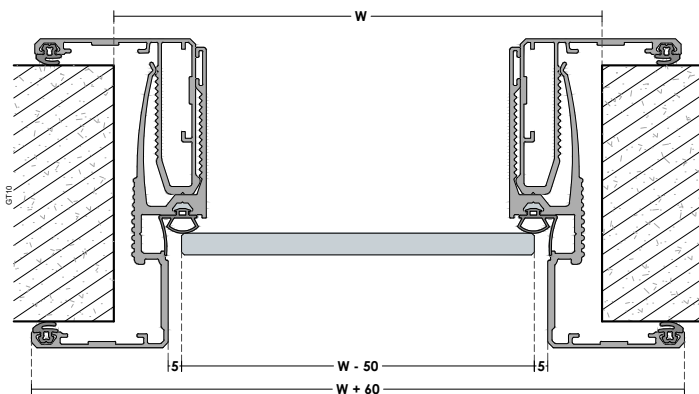


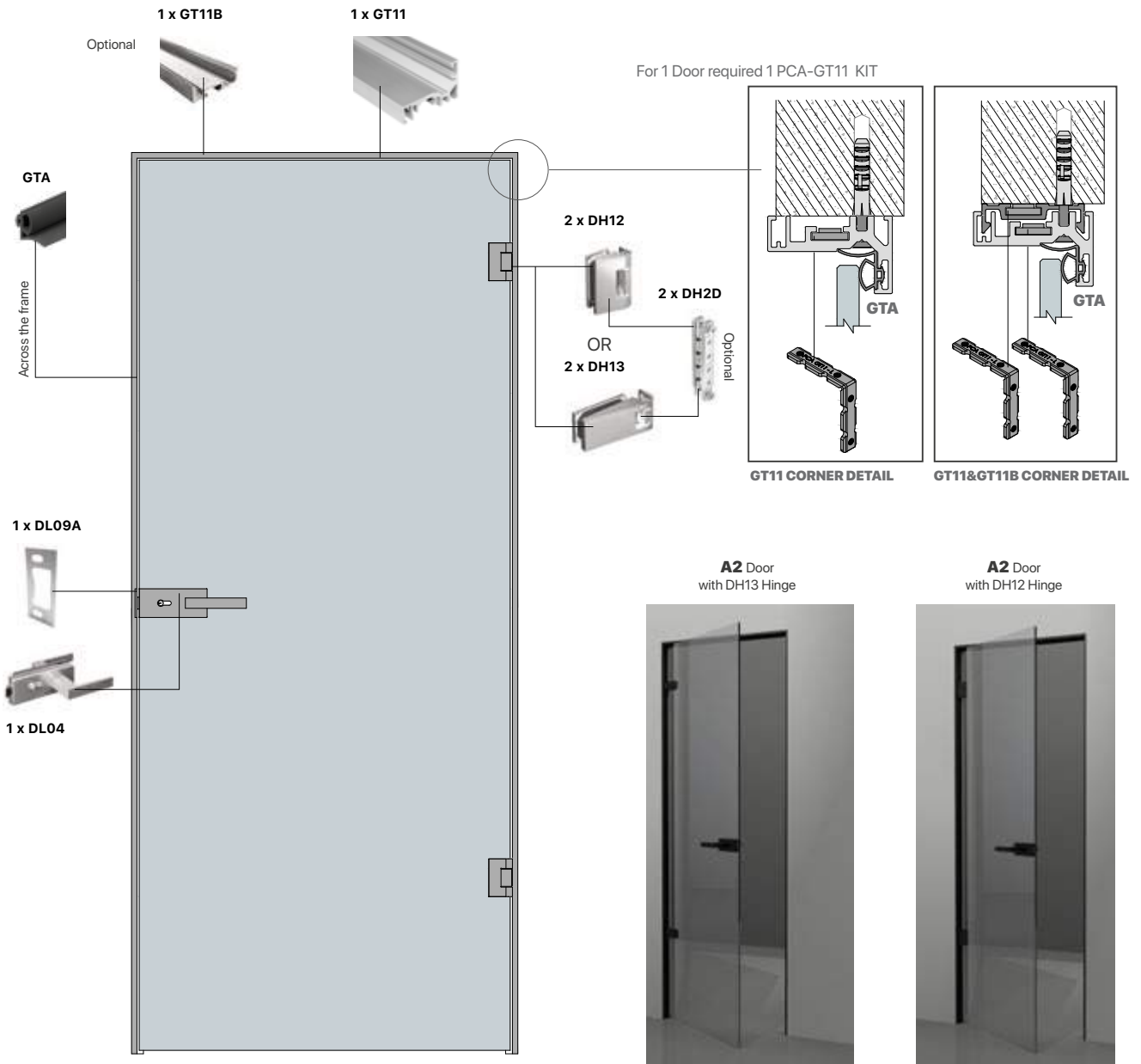
pg. 118

pg. 119



GT09 | GT10 Frame Section Details

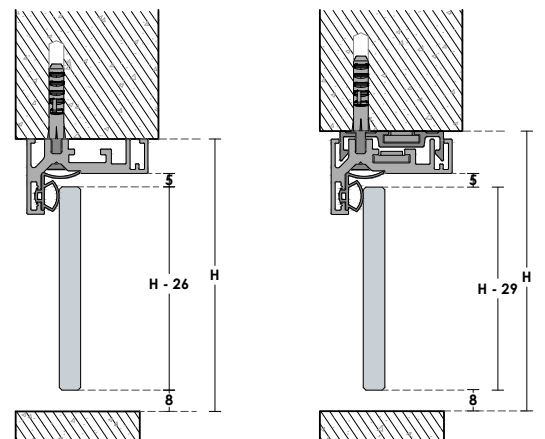
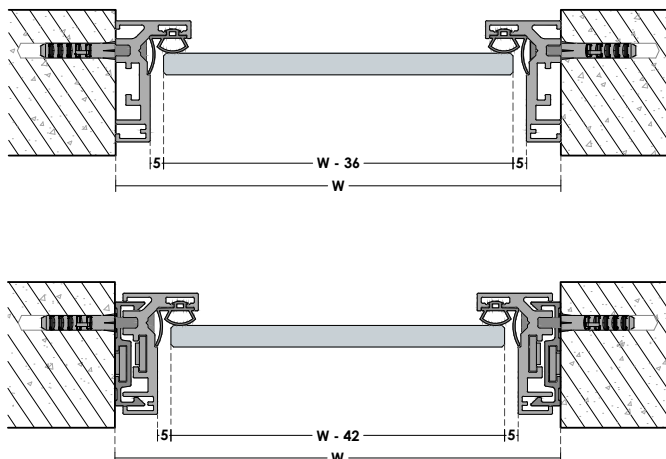


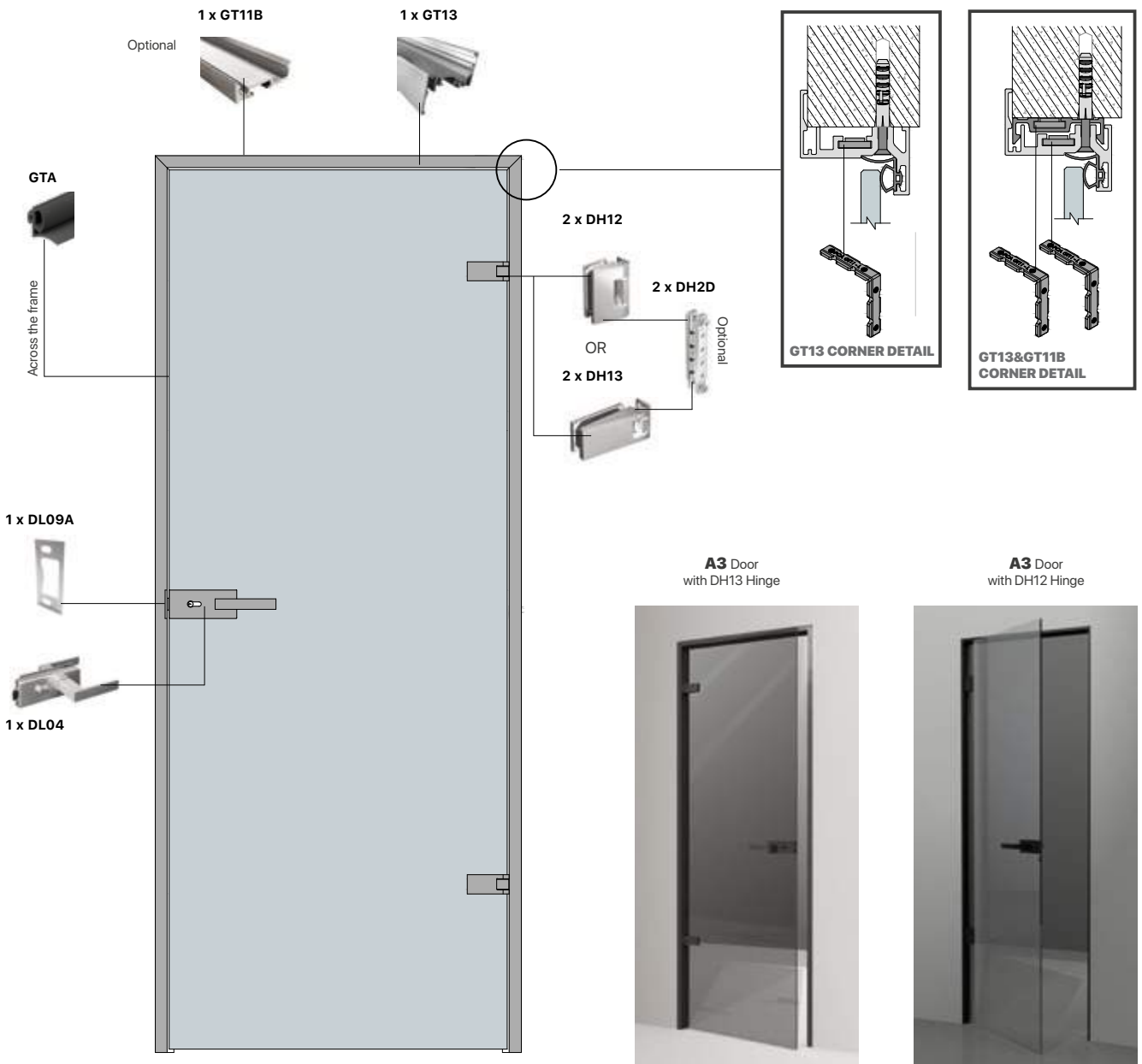


DOORS

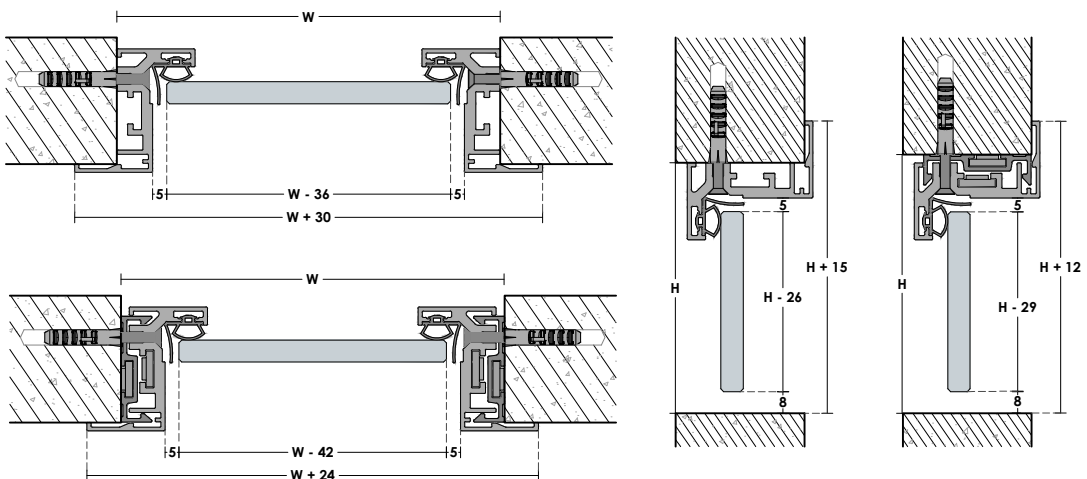


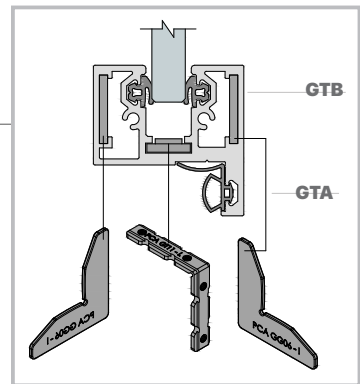
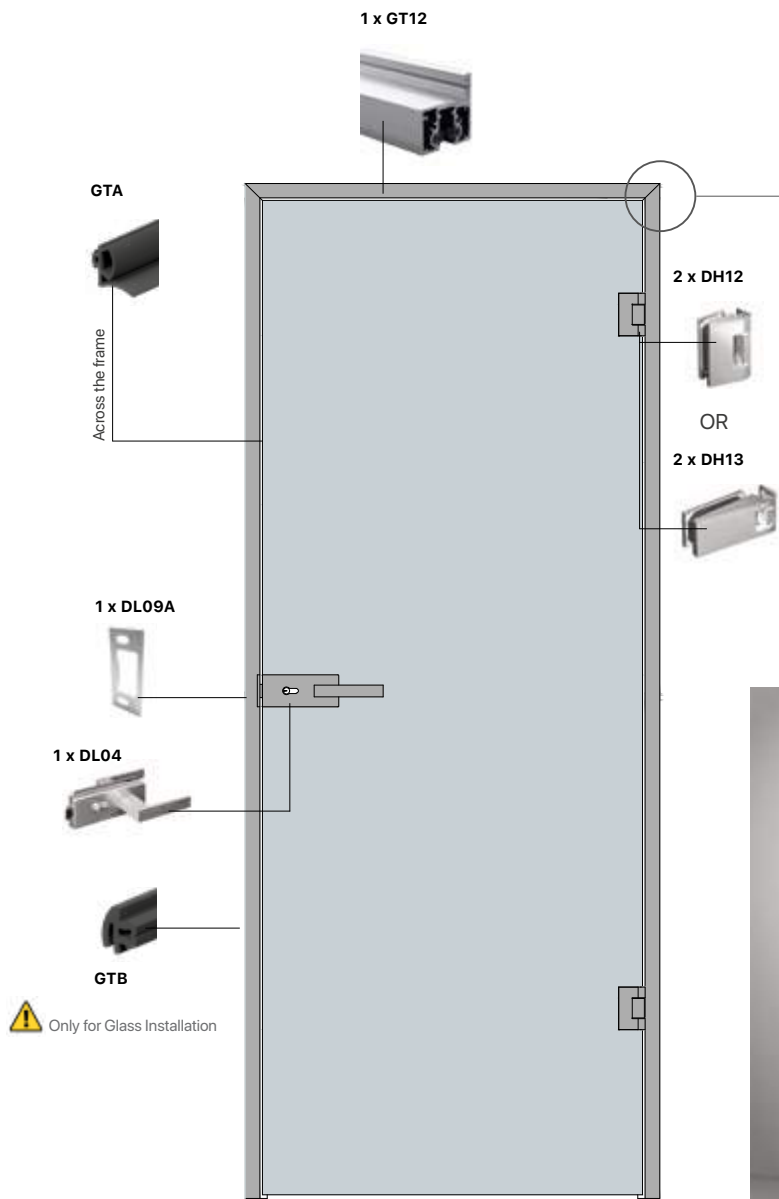
GT11 and GT11 with GT11B Frame Section Details





GT13 and GT13 with GT11B Frame Section Details





GT12 CORNER DETAIL

For 1 Door required 1 PCA-GT12 KIT

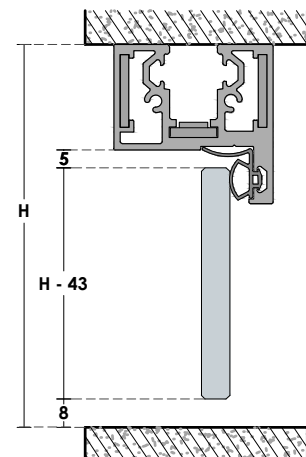
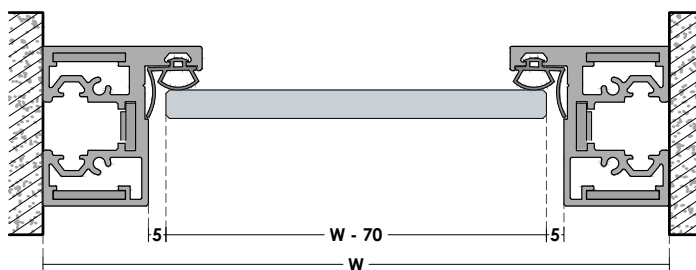
A4 Door
with DH12 Hinge



A4 Door
with DH13 Hinge



GT12 Frame Section Details

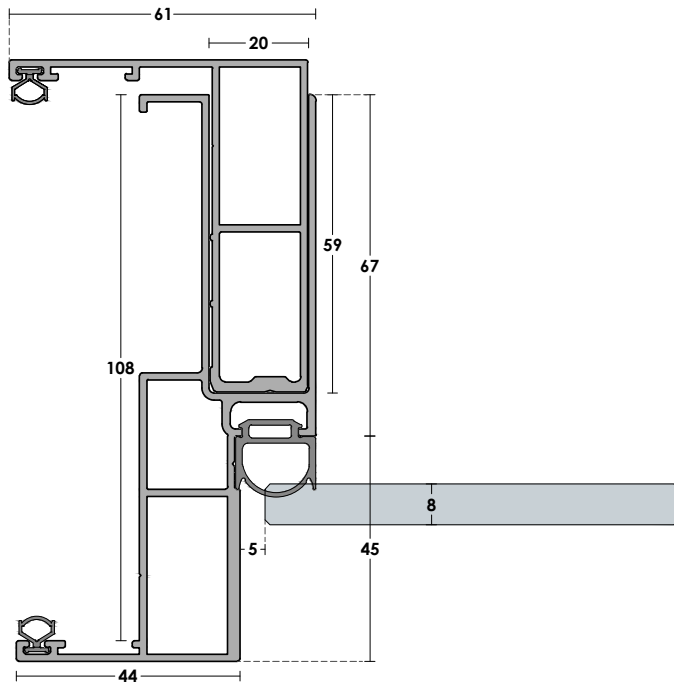




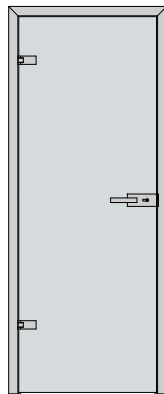
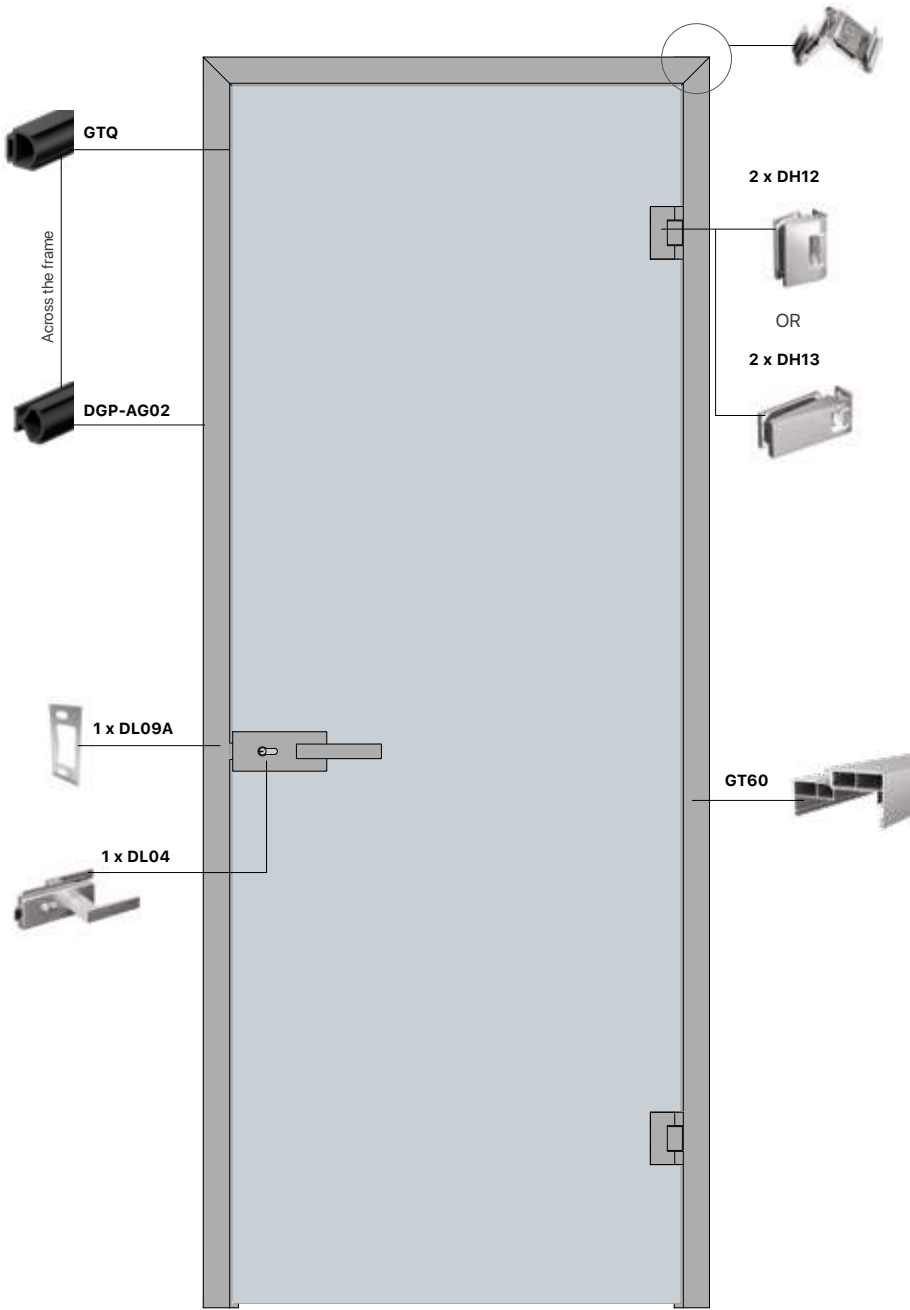
NEW

DOOR FRAME SERIES | **A5**

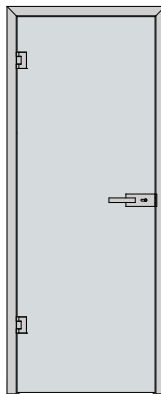
DOORS



GT60 | 105-160mm

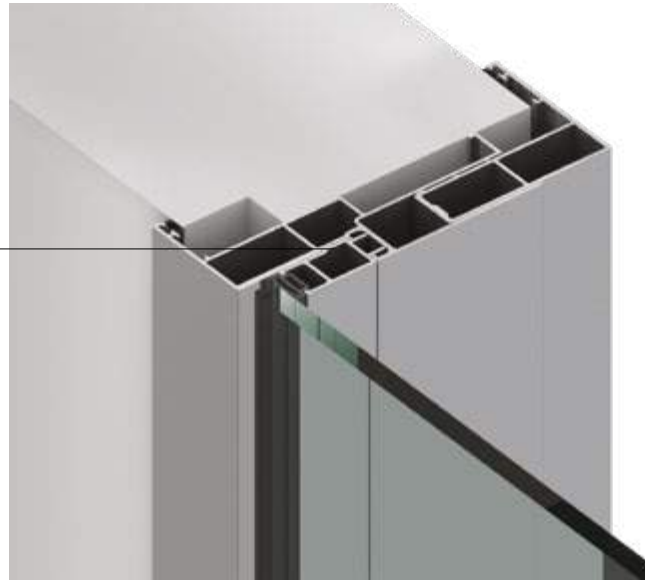
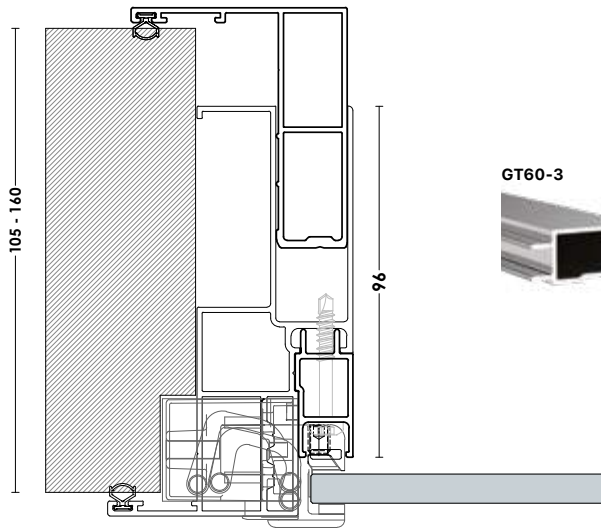


A5 Door
with DH13 Hinge



A5 Door
with DH12 Hinge

A5-S SIMONSWERK HINGE



DOORS



The TECTUS Glass hinge system is capable of supporting up to 80 kg. This corresponds to a glass door with dimensions of approx. 10 x 1000 x 2700 mm using tempered safety glass measuring 8 or 10 mm thick.





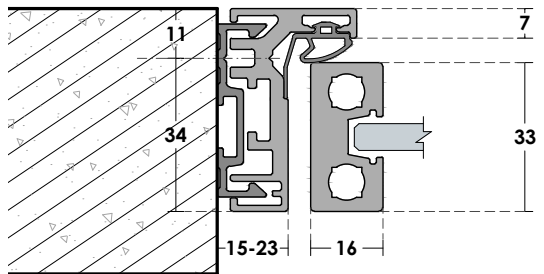
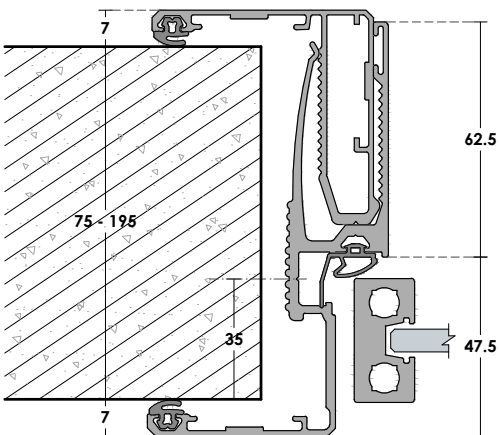
FULL FRAME DOOR SERIES | **A20**



A21 | GT10 profile



A22 | GT11 profile



pg. 128

pg. 129

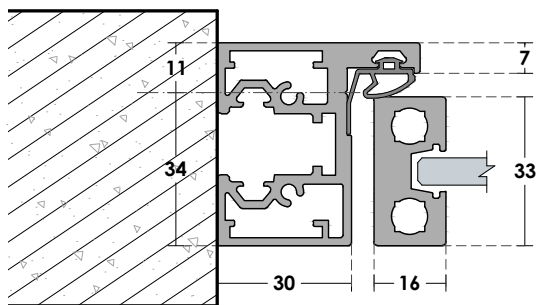
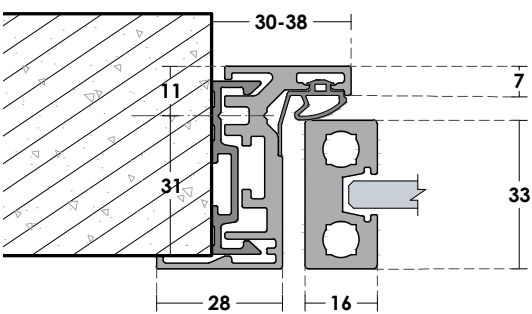
A23 | GT13 profile



A24 | GT12 profile

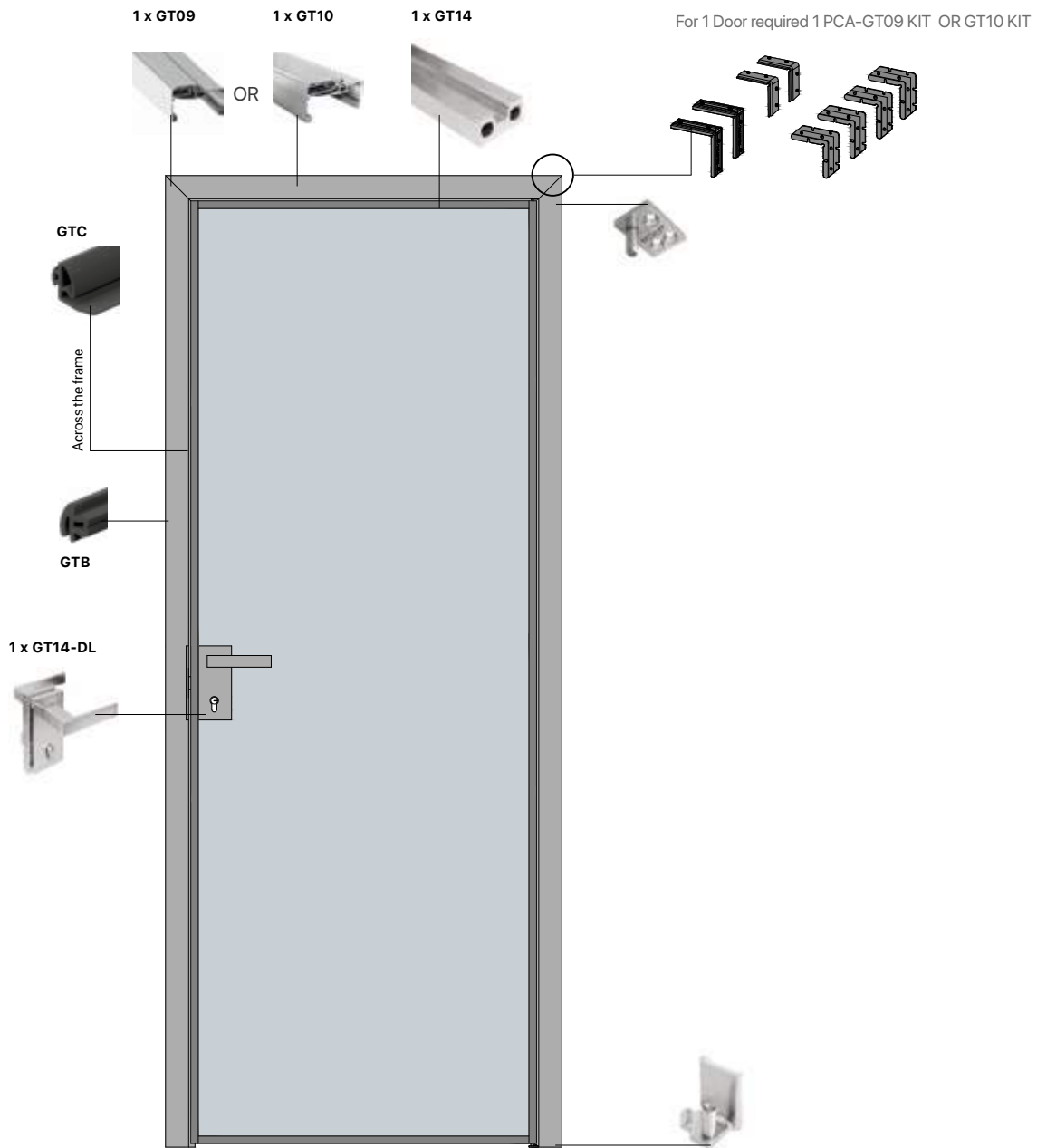


DOORS

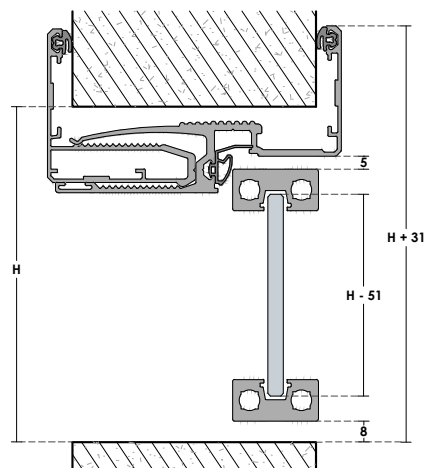
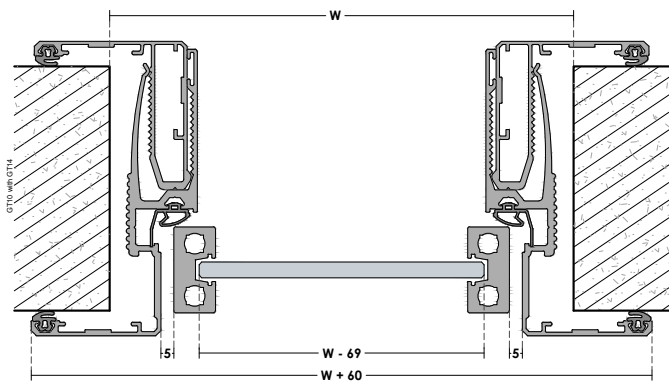


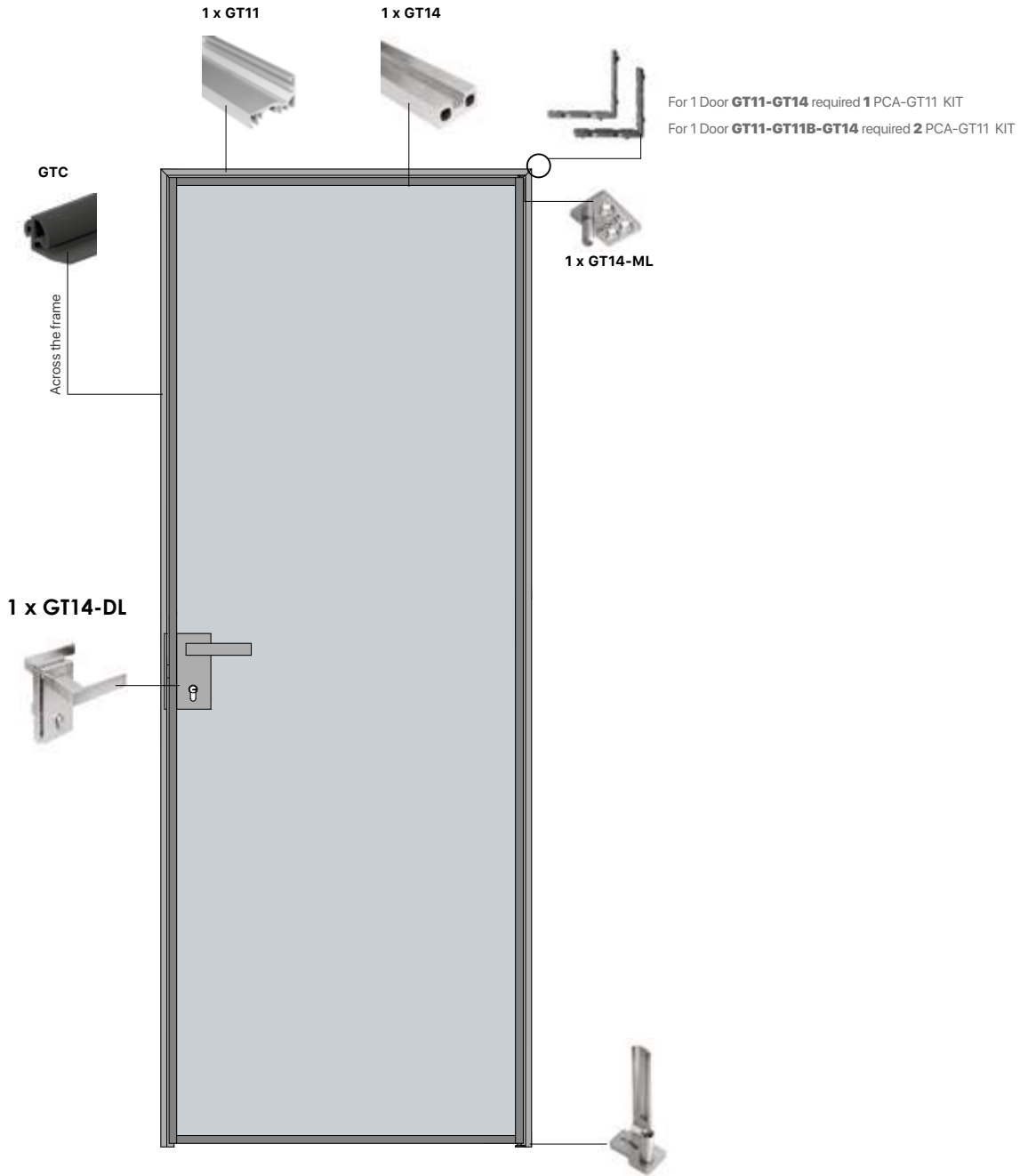
pg. 130

pg. 131

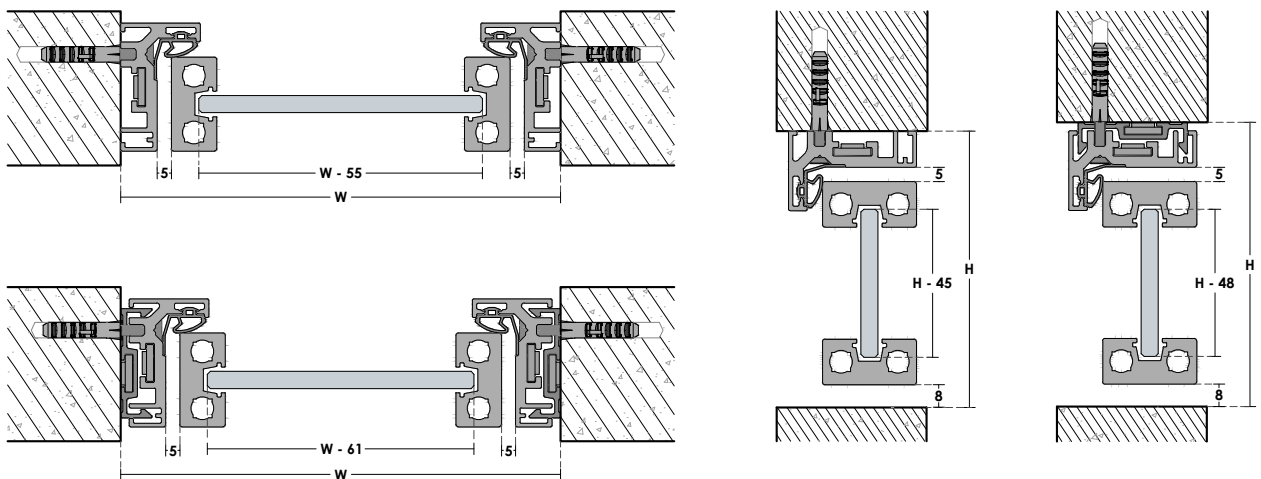


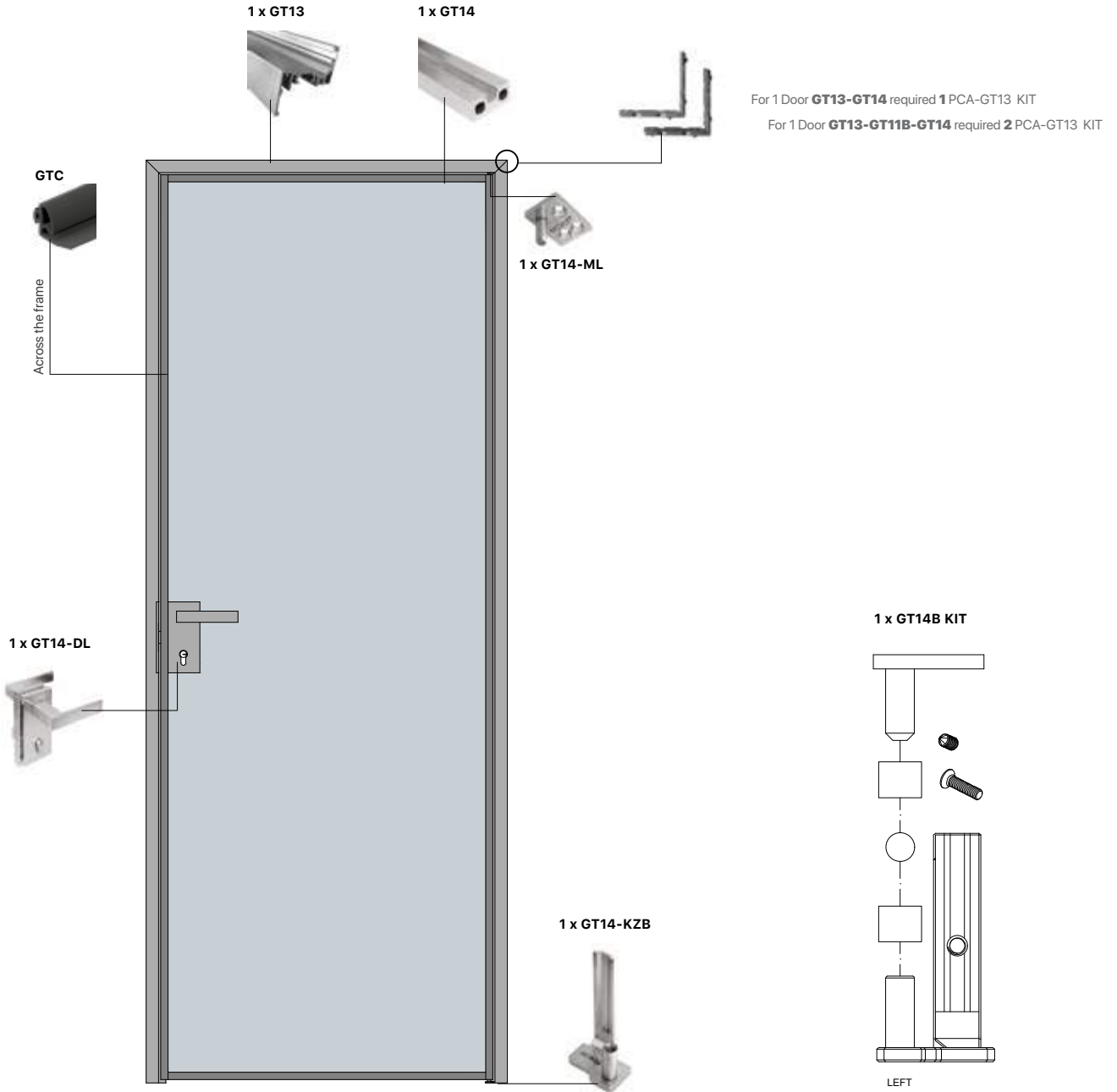
GT10 Frame | GT14 Door Installation



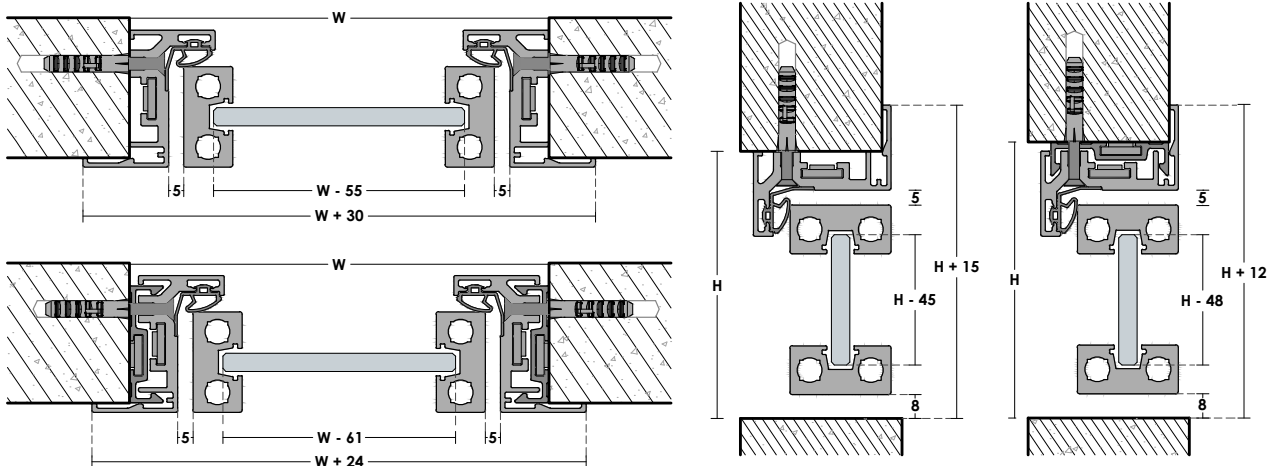


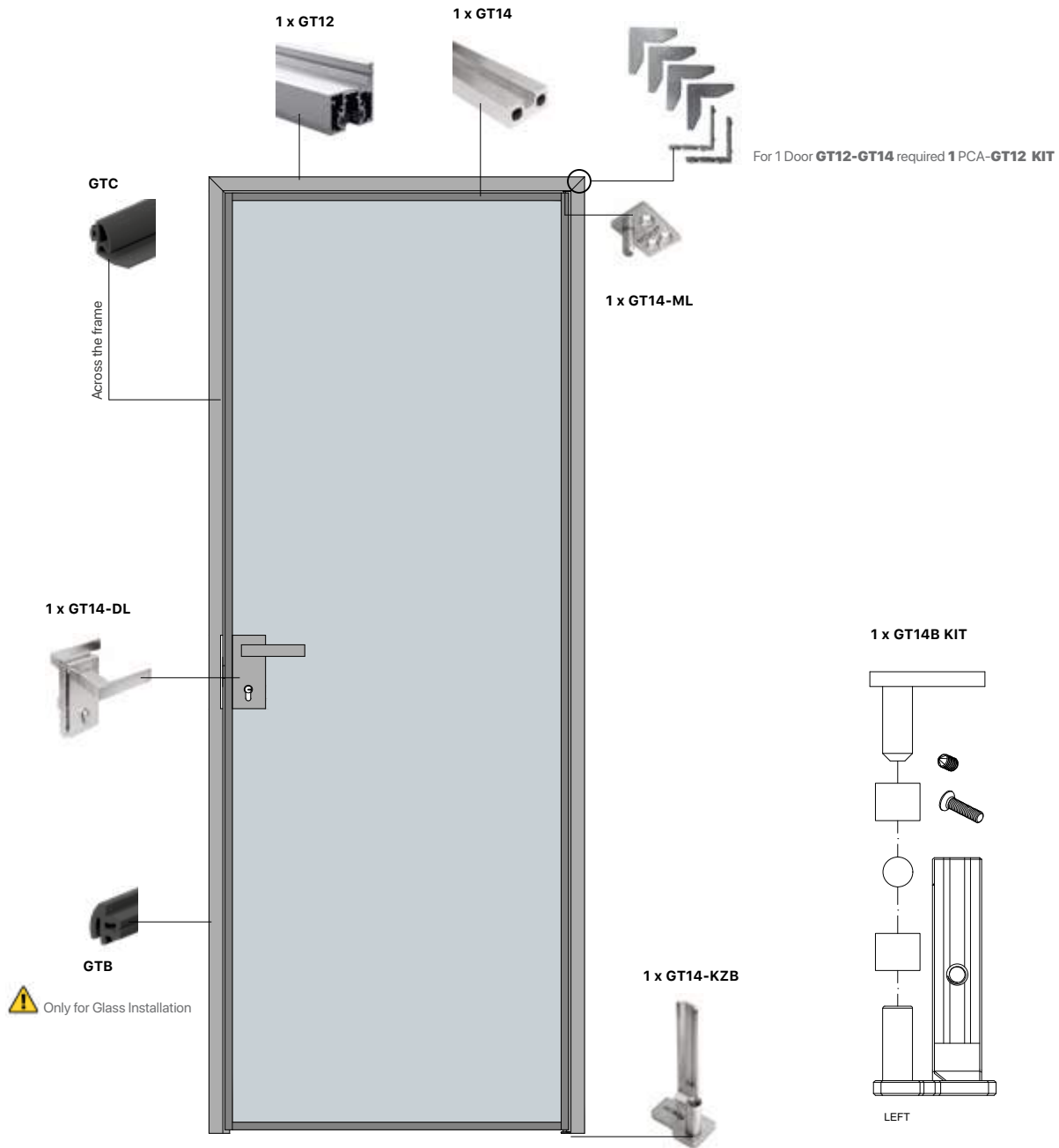
GT11|GT11-GT11B Frame | GT14 Door Section Details



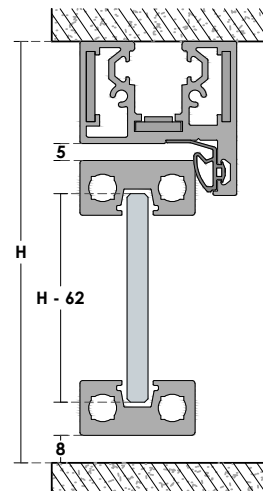
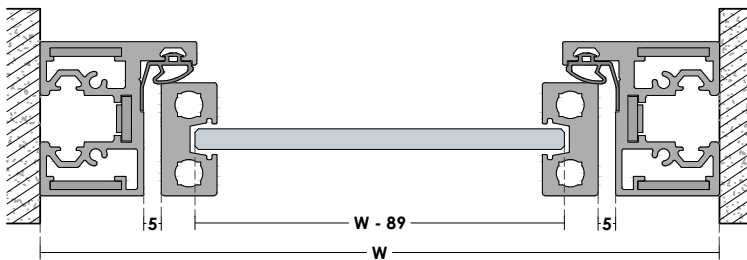


GT13 Frame | GT14 Door Section Details





GT12 Frame | GT14 Door Section Details



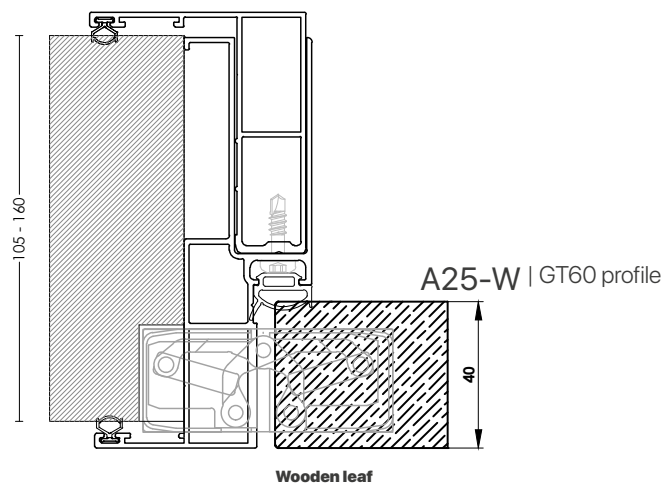
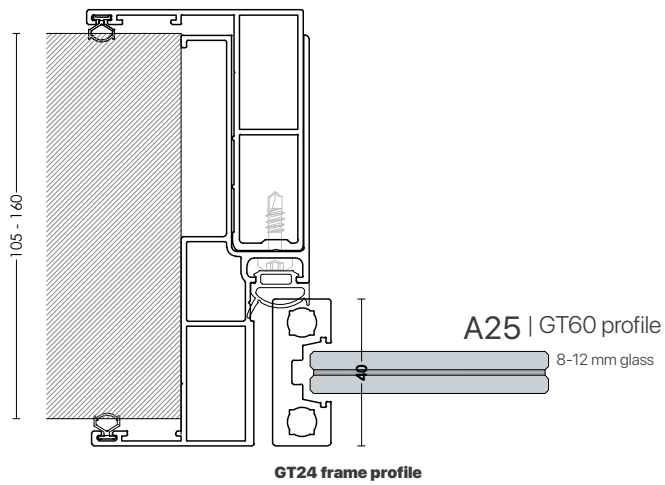
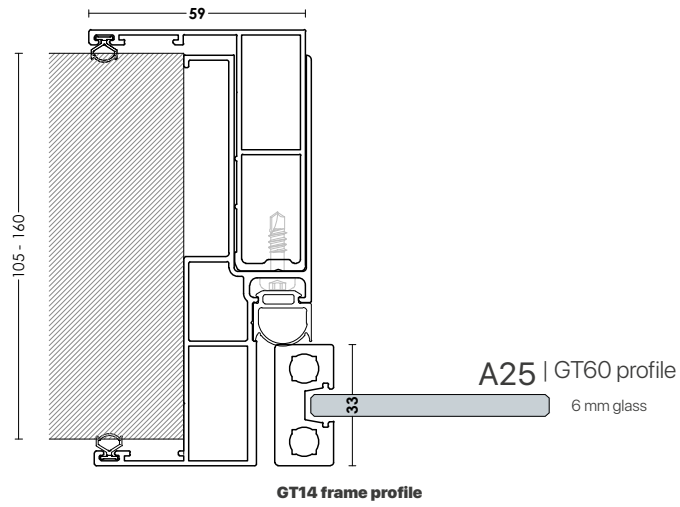


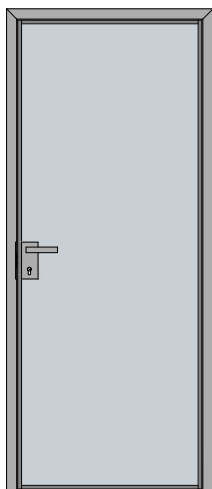
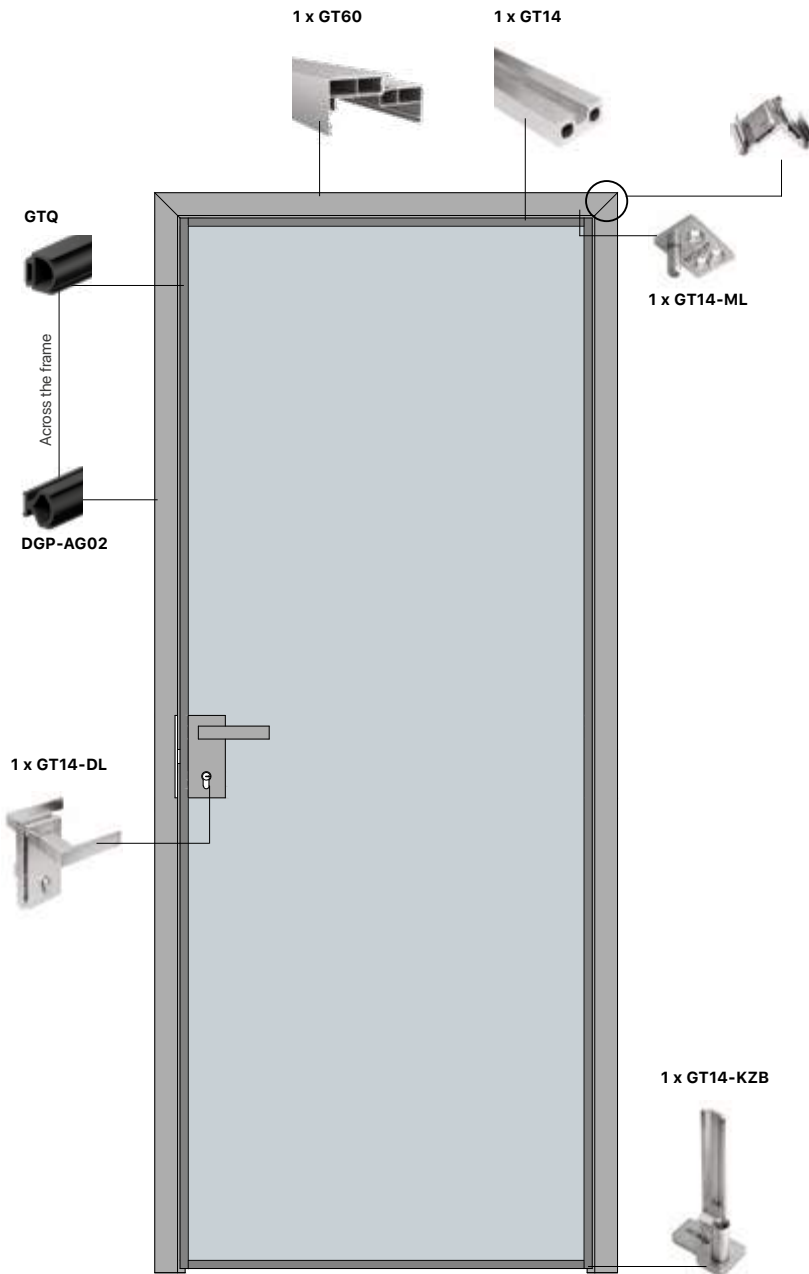
NEW

FULL FRAME DOOR SERIES

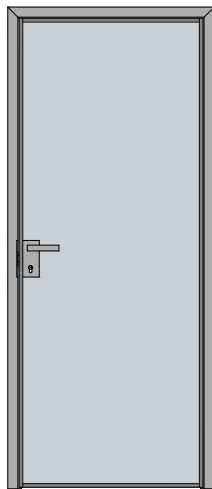
A25

DOORS





A25 Door
GT14 frame



A25 Door
GT24 frame



A25-W Door
Wooden leaf



A25 6 mm GLASS THICKNESS



A25 8-12 mm GLASS THICKNESS



A25-W WOODEN LEAF

