



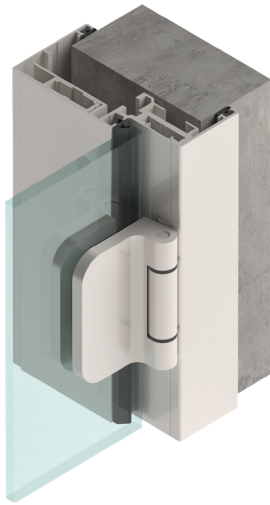
13

ALUMINIUM
SYSTEMS FOR
OFFICE GLASS
WALLS

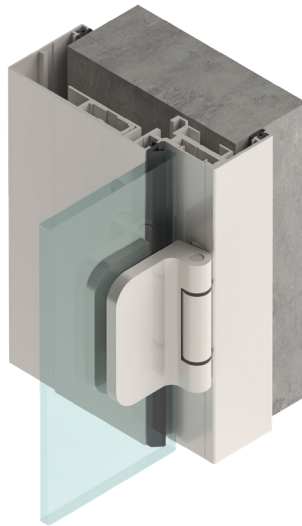
Door frames and mounting profiles

Door frame

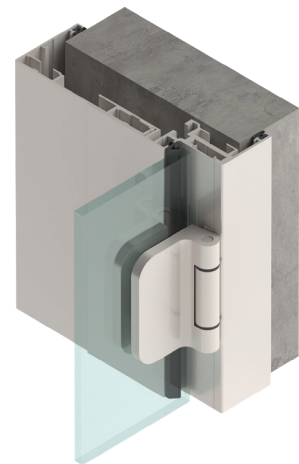
OFC-1



100 - 130 mm

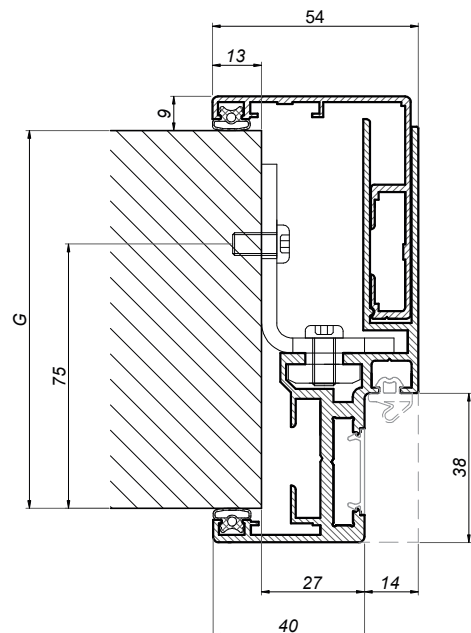


130 - 160 mm



160 - 195 mm

Product code	G	Finish
OFC-1-100-130-AL	100-130 mm	raw aluminium
OFC-1-100-130-NA	100-130 mm	silver anodised
OFC-1-100-130-SS	100-130 mm	INOX anodised
OFC-1-100-130-B	100-130 mm	black anodised
OFC-1-130-160-AL	130-160 mm	raw aluminium
OFC-1-130-160-NA	130-160 mm	silver anodised
OFC-1-130-160-SS	130-160 mm	INOX anodised
OFC-1-130-160-B	130-160 mm	black anodised
OFC-1-160-195-AL	160-195 mm	raw aluminium
OFC-1-160-195-NA	160-195 mm	silver anodised
OFC-1-160-195-SS	160-195 mm	INOX anodised
OFC-1-160-195-B	160-195 mm	black anodised
Properties		
Length	6000 mm	
Material	aluminium	

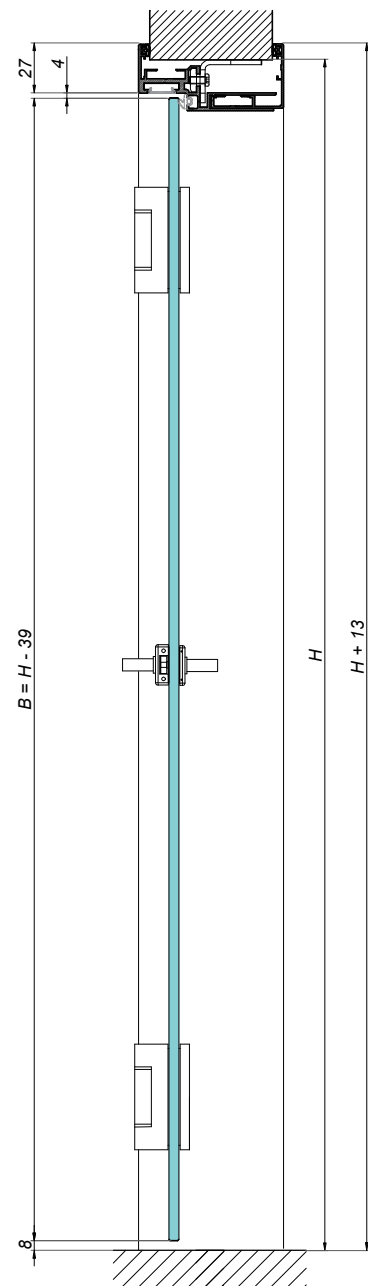
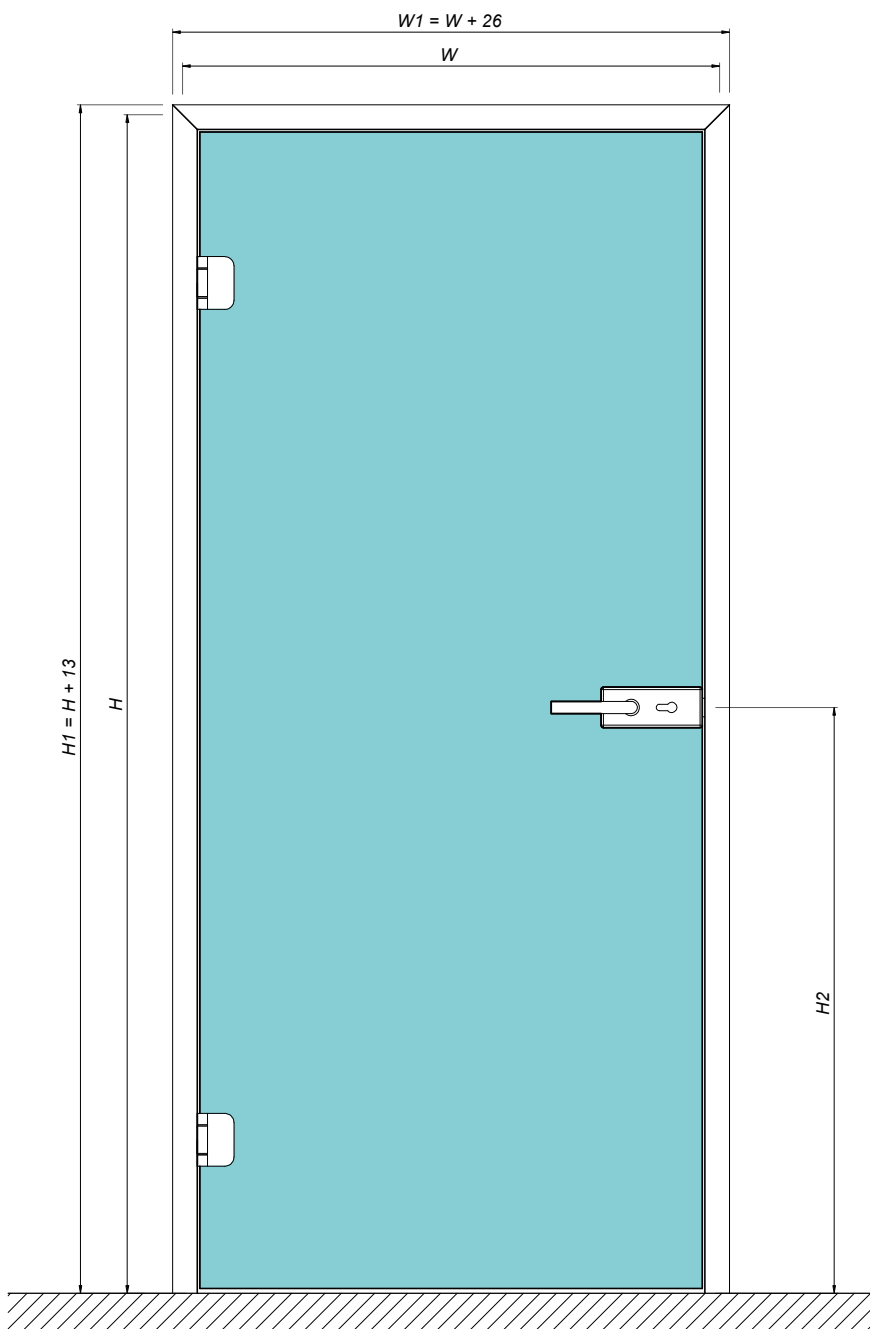
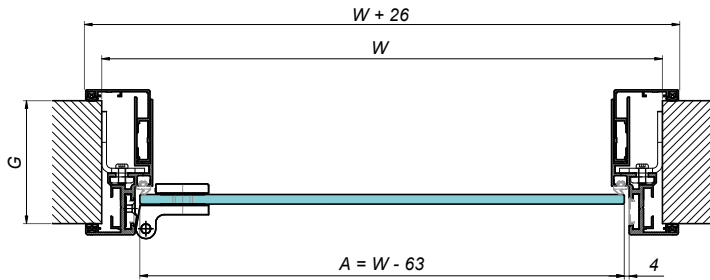


Door frames and mounting profiles

Door frame

OFC-1

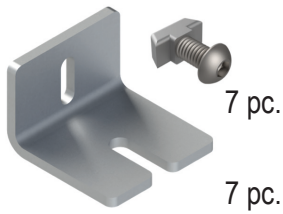
- A - door width
- B - door height
- W - base opening width
- W1 - frame width
- H - base opening height
- H1 - door frame height



Door frames and mounting profiles

Set of mounting corners

OFC-1-K



Product code

OFC-1-K

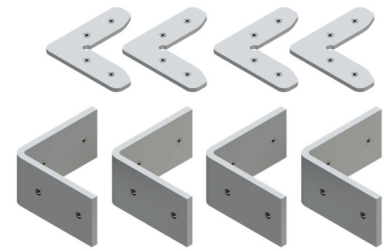
Properties

Material stainless steel

Set for one door frame includes all items in the picture

Set of mounting corners

OFC-1-KIT



Product code

OFC-1-KIT

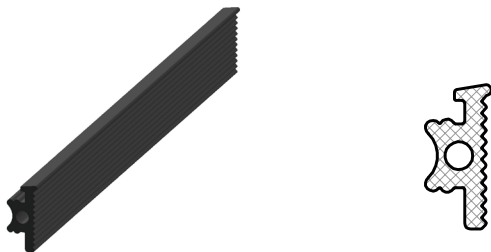
Properties

Material stainless steel

Set for one door frame includes all items in the picture

Wall seal frame

OFC-O



Product code

OFC-O-GR

Color

gray

OFC-O-B

black

Properties

Material

PVC

Main seal for door frame

OFC-V



Product code

OFC-V-8-GR

Glass thickness

8 mm

Finish

gray

OFC-V-8-B

8 mm

black

OFC-V-10-GR

10 mm

gray

OFC-V-10-B

10 mm

black

OFC-V-12-GR

12 mm

gray

OFC-V-12-B

12 mm

gray

Properties

Material

PVC

Frame cover

OFC-M



Product code

OFC-M-SS

Finish

INOX anodised

OFC-M-NA

silver anodised

OFC-M-B

black anodised

Properties

Length

6000 mm

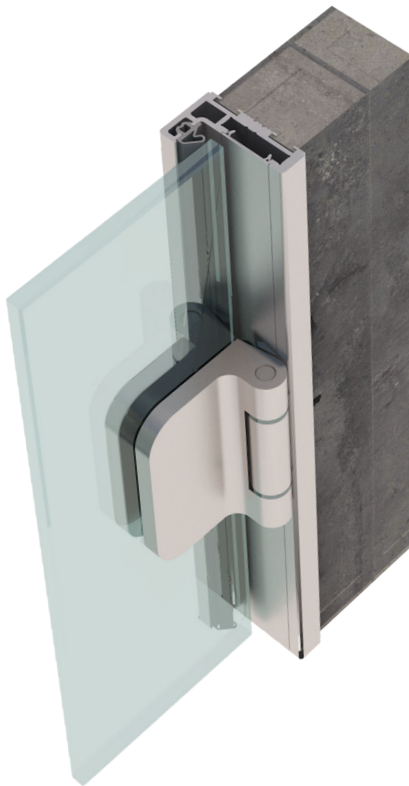
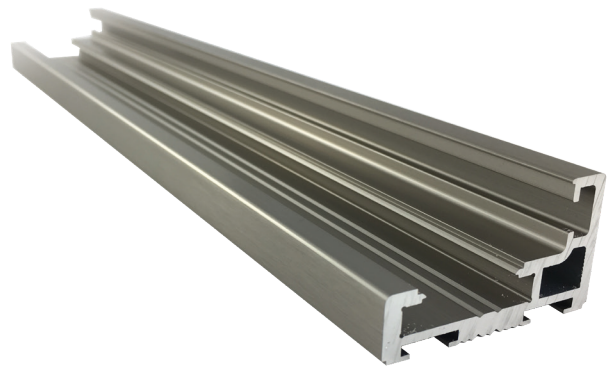
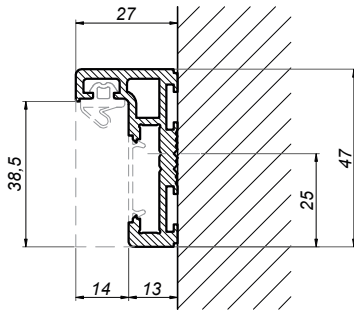
Material

aluminium

Door frames and mounting profiles

Door frame

OFC-2

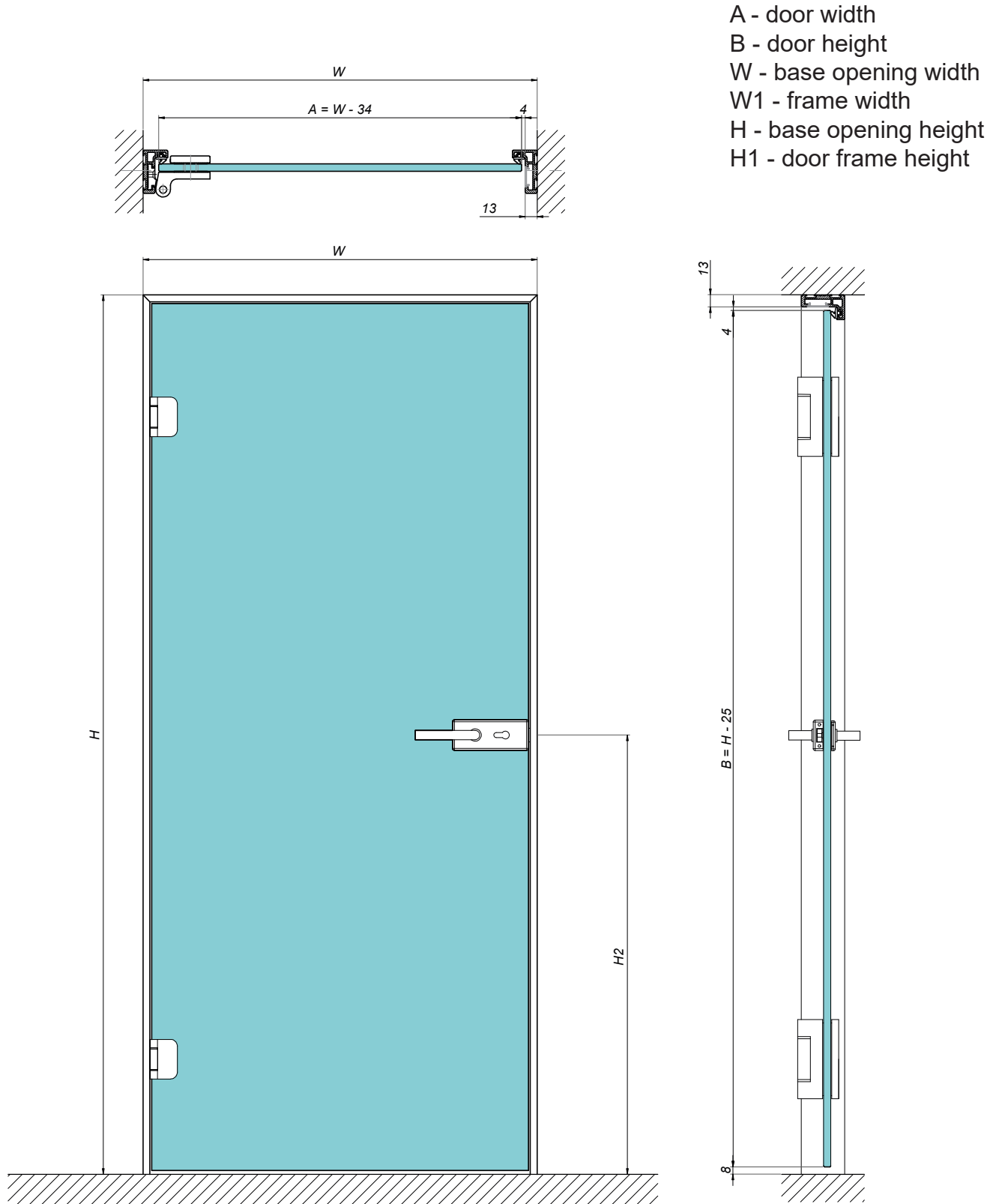


<i>Product code</i>	<i>Finish</i>
<i>OFC-2-SS</i>	<i>INOX anodised</i>
<i>OFC-2-NA</i>	<i>silver anodised</i>
<i>OFC-2-B</i>	<i>black anodised</i>
<i>Properties</i>	
<i>Glass door thickness</i>	<i>8-10 mm</i>
<i>Length</i>	<i>6000 mm</i>
<i>Material</i>	<i>aluminium</i>
<i>Max. door height</i>	<i>2400 mm</i>
<i>Above 2200 mm height, it is recommended to use 3 hinges.</i>	

Door frames and mounting profiles

Mounting schema

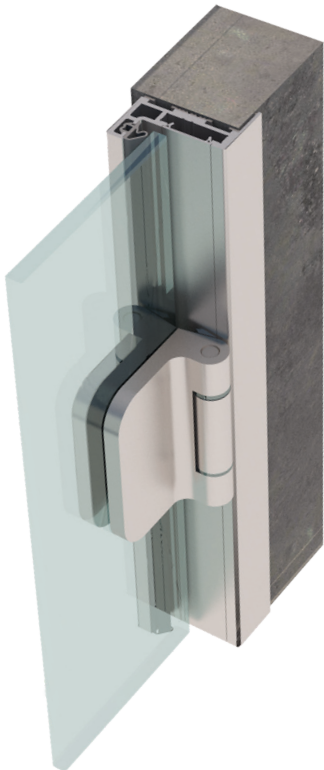
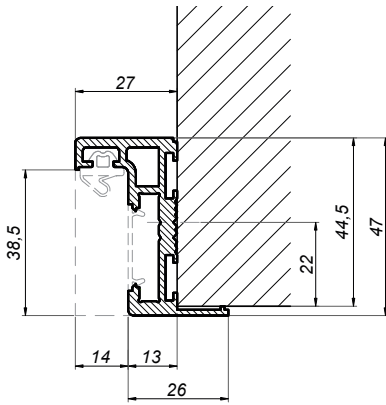
OFC-2



Door frames and mounting profiles

Door frame

OFC-3



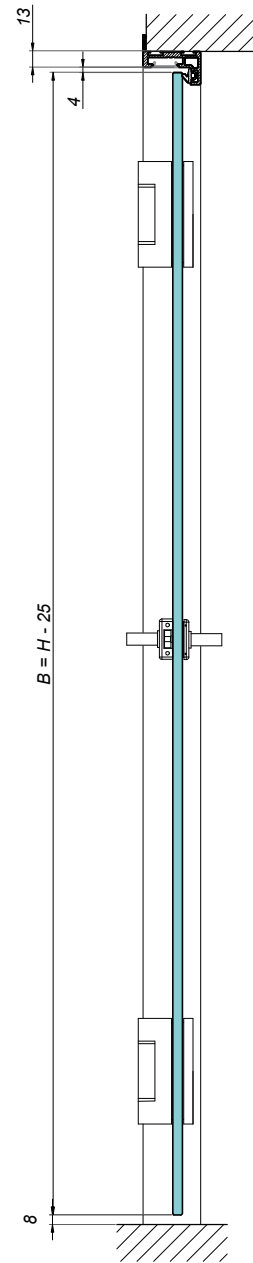
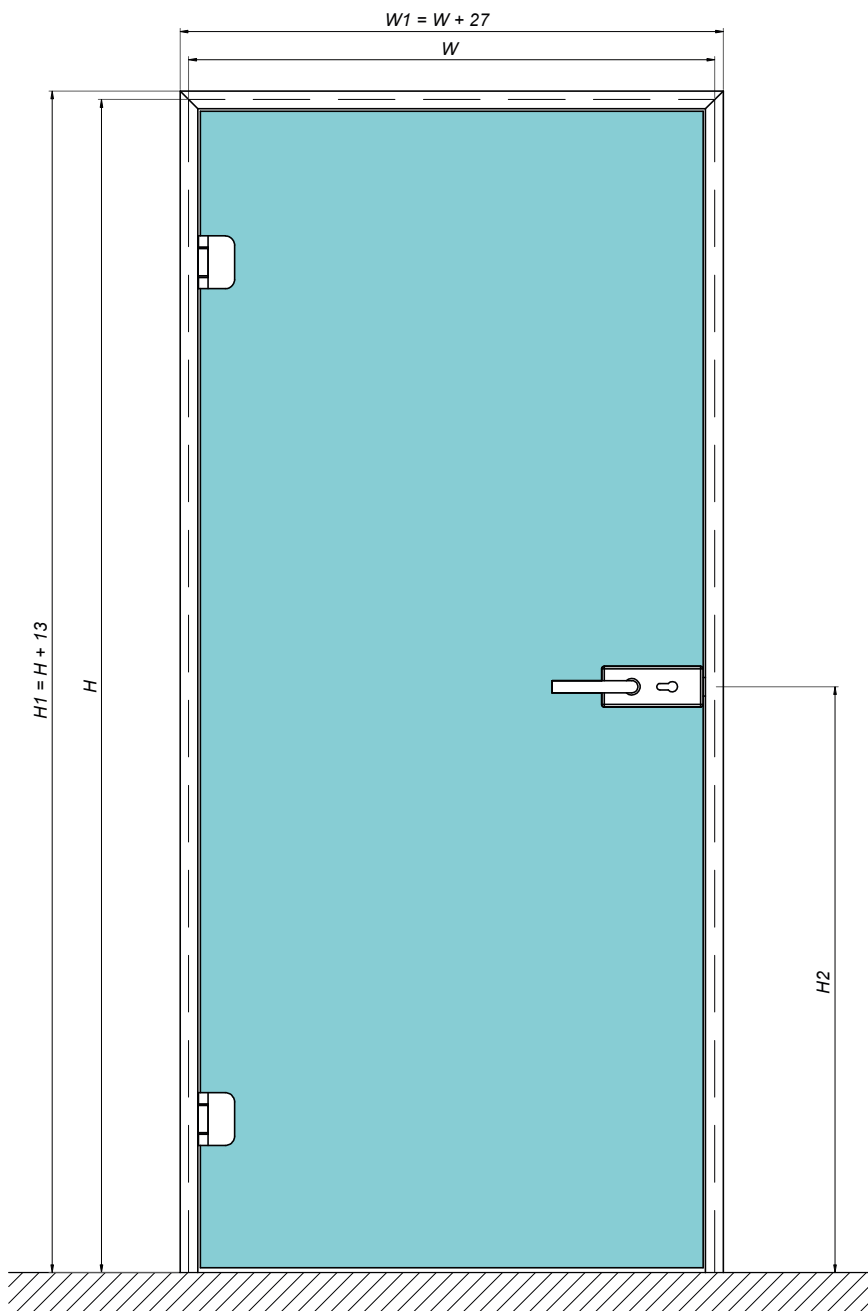
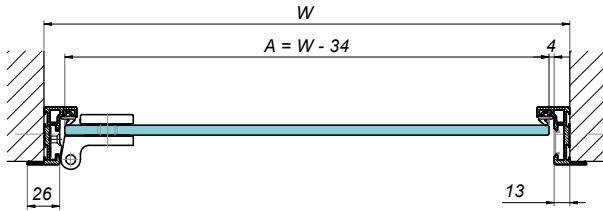
<i>Product code</i>	<i>Finish</i>
<i>OFC-3-SS</i>	<i>INOX anodised</i>
<i>OFC-3-NA</i>	<i>silver anodised</i>
<i>OFC-3-B</i>	<i>black anodised</i>
<i>Properties</i>	
<i>Glass door thickness</i>	<i>8-10 mm</i>
<i>Length</i>	<i>6000 mm</i>
<i>Material</i>	<i>aluminium</i>
<i>Max. door height</i>	<i>2400 mm</i>
<i>Above 2200 mm height, it is recommended to use 3 hinges.</i>	

Door frames and mounting profiles

Measuring schema

OFC-3

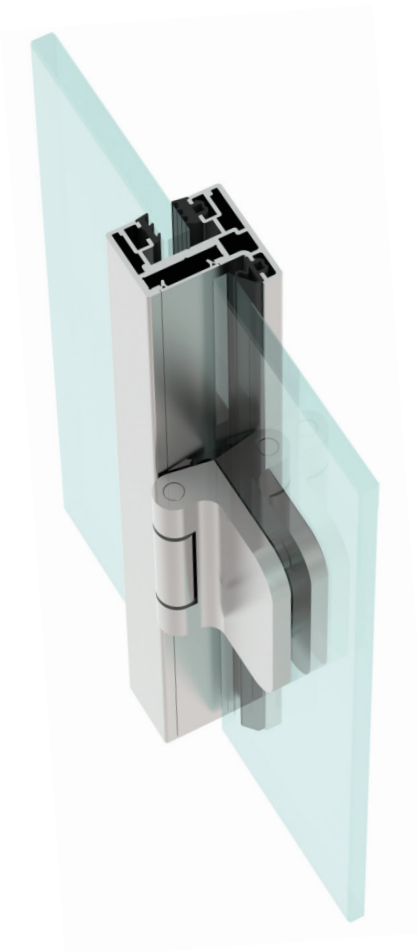
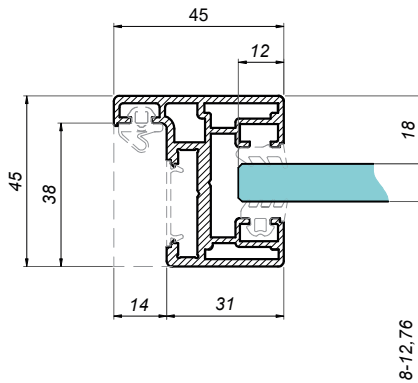
- A - door width
- B - door height
- W - base opening width
- W1 - frame width
- H - base opening height
- H1 - door frame height



Door frames and mounting profiles

Door frame

OFC-4S



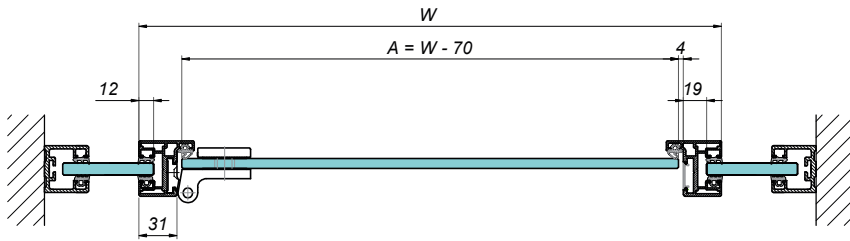
Product code	Finish
OFC-4S-AL	raw aluminium
OFC-4S-SS	INOX anodised
OFC-4S-NA	silver anodised
OFC-4S-B	black anodised
Properties	
Glass door thickness	8-10 mm
Thickness of glass panel	8-12,76 mm
Length	6000 mm
Material	aluminium
Max. door height	2400 mm

Above 2200 mm height, it is recommended to use 3 hinges.

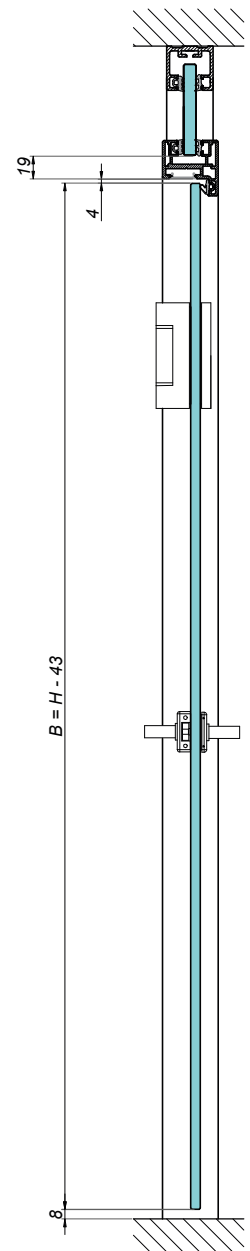
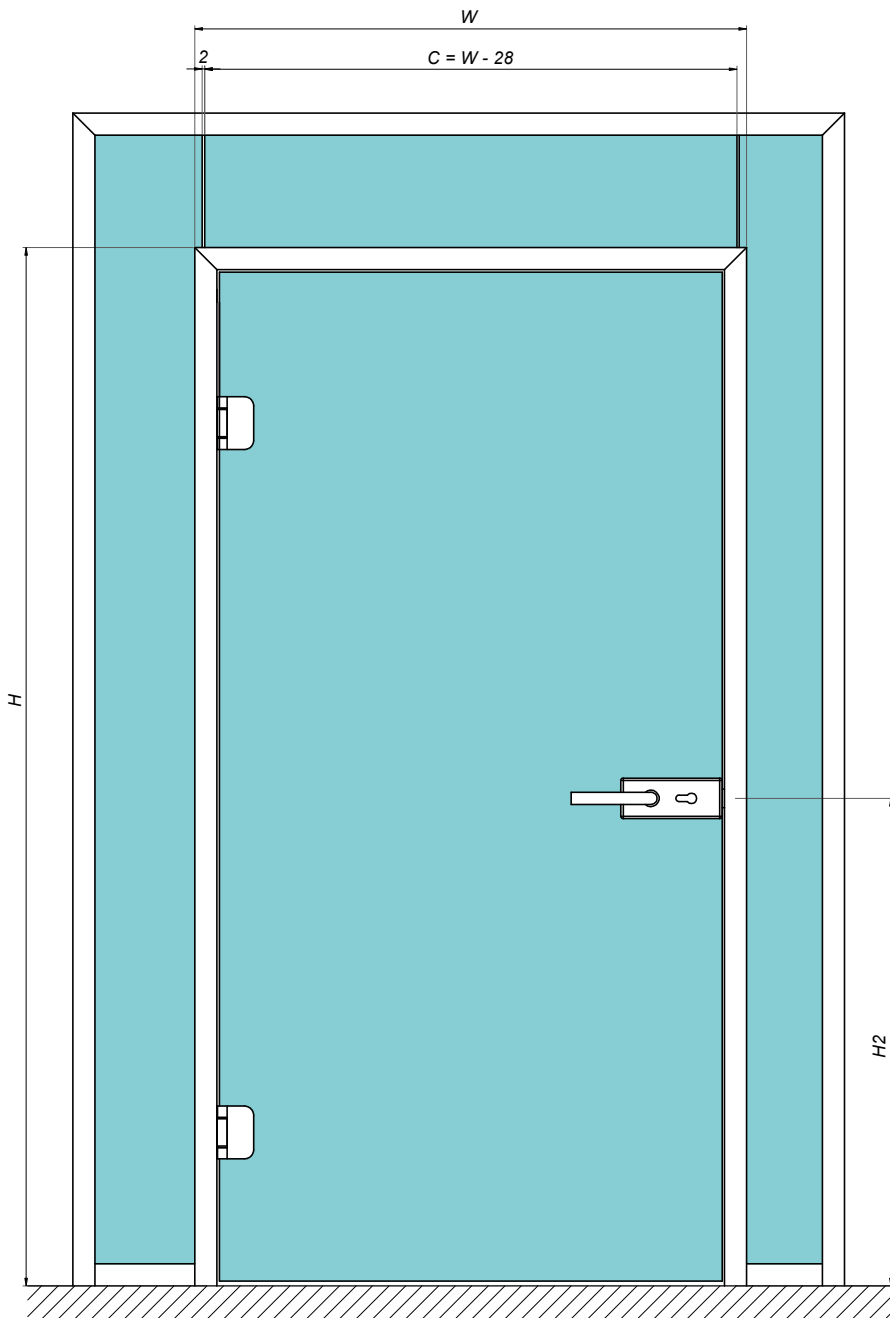
Door frames and mounting profiles

Measuring schema

OFC-4S



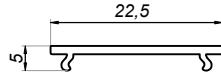
- A - door width
- B - door height
- W - base opening width
- W1 - frame width
- H - base opening height
- H1 - door frame height



Door frames and mounting profiles

Frame cover

OFC-M



Product code	Finish
OFC-M-SS	INOX anodised
OFC-M-NA	silver anodised
OFC-M-B	black anodised
Properties	
Length	6000 mm
Material	aluminium

Frame to mounting profile connector

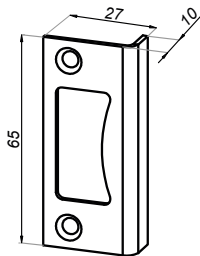
OFC-4-K



Product code	Finish
OFC-4-K	
Properties	
Material	stainless steel
Set for one door frame includes all items in the picture	

Strike plate for lock

OFC-02



Product code	Finish
OFC-02-SS	satín
OFC-02-B	black
Properties	
Material	stainless steel

Set of mounting corners

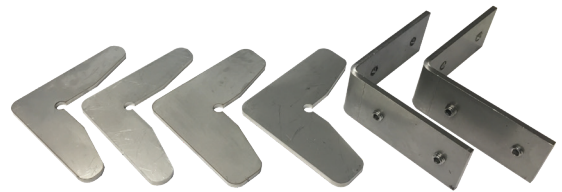
OFC-2/3-KIT



Product code	Finish
OFC-2/3-KIT	
Properties	
Material	stainless steel
Set for one door frame includes all items in the picture	

Set of mounting corners

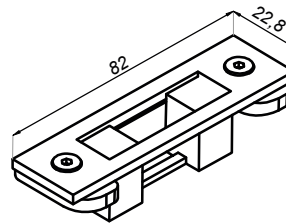
OFC-4S-KIT



Product code	Finish
OFC-4S-KIT	
Properties	
Material	stainless steel
Set for one door frame includes all items in the picture	

Strike plate for magnetic lock

OFC-00-M

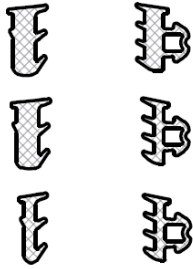


Product code	Finish
OFC-00-M-SS	INOX anodised
OFC-00-M-NA	silver anodised
OFC-00-M-B	black anodised
Properties	
Material	stainless steel

Door frames and mounting profiles

Glass fix seal

CLM-8/10/12



glass 8 mm
 glass 10-10,76 mm
 glass 12-12,76 mm

Product code	Glass thickness	Finish
CLM-8-GR	8 mm	gray
CLM-8-B	8 mm	black
CLM-10-GR	10-10,76 mm	gray
CLM-10-B	10-10,76 mm	black
CLM-12-GR	12-12,76 mm	gray
CLM-12-B	12-12,76 mm	black
Properties		
Material	PVC	

Main seal for door frame

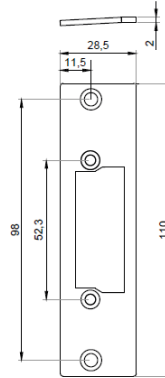
OFC-V



Product code	Glass thickness	Finish
OFC-V-8-GR	8 mm	gray
OFC-V-8-B	8 mm	black
OFC-V-10-GR	10 mm	gray
OFC-V-10-B	10 mm	black
OFC-V-12-GR	12 mm	gray
OFC-V-12-B	12 mm	gray
Properties		
Material	PVC	

Strike plate for electric strike lock

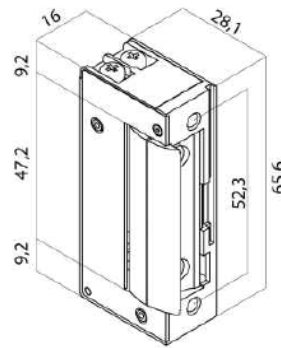
OFC-ES-P-SS



Product code	Finish
OFC-ES-P-SS	satın
Properties	
Material	stainless steel

Electric strike lock, standard 12V DC

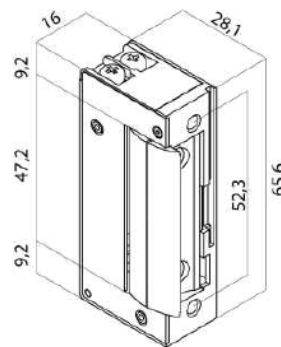
OFC-ES-ST



Product code	
OFC-ES-ST	
Properties	
Voltage	12V DC

Electric strike lock, reverse, 12V DC

OFC-ES-REV

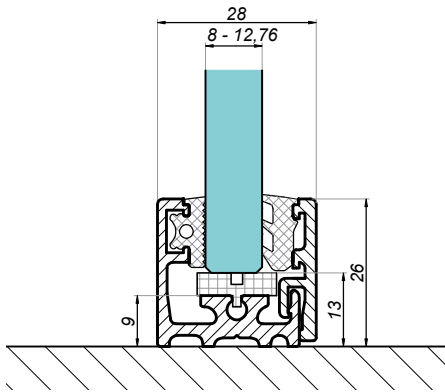


Product code	
OFC-ES-REV	
Properties	
Voltage	12V DC

Door frames and mounting profiles

Mounting profile - divided

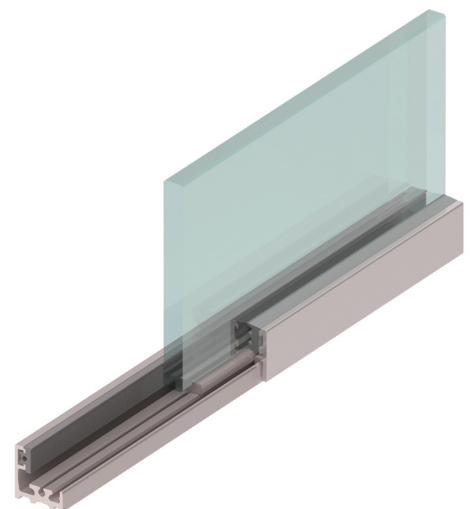
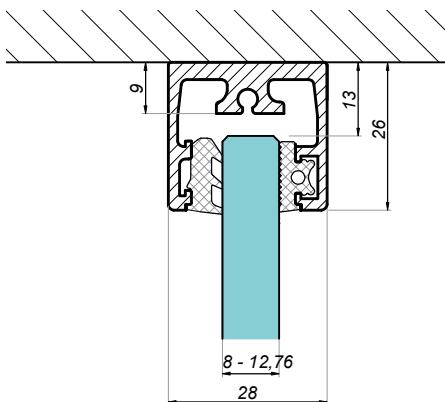
CLM-2628



Product code	L	-AL	-SS	-B	-NA
CLM-2628-3000	3000 mm	<input checked="" type="checkbox"/>	<input checked="" type="checkbox"/>	<input checked="" type="checkbox"/>	<input checked="" type="checkbox"/>
CLM-2628-6000	6000 mm	<input checked="" type="checkbox"/>	<input checked="" type="checkbox"/>	<input checked="" type="checkbox"/>	<input checked="" type="checkbox"/>
Properties					
Material	aluminium				
Glass thickness	8-12,76 mm				

Mounting profile - type „U”

CLM-2628-G

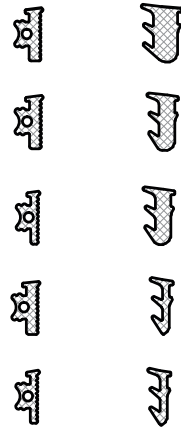
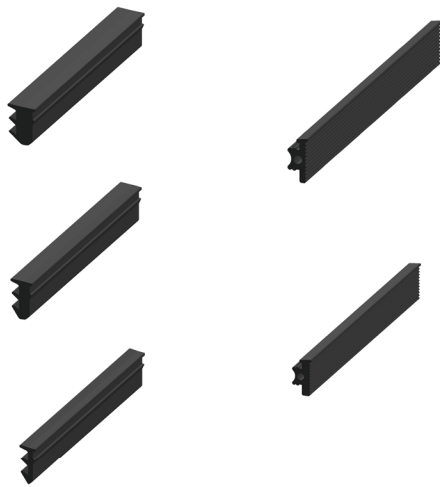


Product code	L	-AL	-SS	-B	-NA
CLM-2628-G-3000	3000 mm	<input checked="" type="checkbox"/>	<input checked="" type="checkbox"/>	<input checked="" type="checkbox"/>	<input checked="" type="checkbox"/>
CLM-2628-G-6000	6000 mm	<input checked="" type="checkbox"/>	<input checked="" type="checkbox"/>	<input checked="" type="checkbox"/>	<input checked="" type="checkbox"/>
Properties					
Material	aluminium				
Glass thickness	8-12,76 mm				

Door frames and mounting profiles

Glass fix seals for CLM-2628/-G

U-8/10/12



glass 8mm

glass 10mm

glass 10,76mm

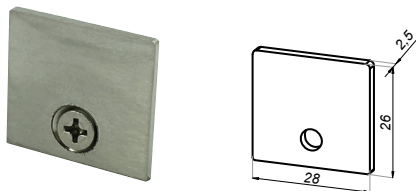
glass 12mm

glass 12,76mm

Product code	Glass thickness	Color
U-8-GR	8 mm	gray
U-8-B	8 mm	black
U-10-GR	10 mm	gray
U-10-B	10 mm	black
U-10,76-GR	10,76 mm	gray
U-10,76-B	10,76 mm	black
U-12-GR	12 mm	gray
U-12-B	12 mm	black
U-12,76-GR	12,76 mm	gray
U-12,76-B	12,76 mm	black
Properties		
Material	PVC	

End cap for mounting profile

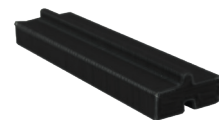
CLM-2628-Z



Product code	Finish
CLM-2628-Z-SS	satın
CLM-2628-Z-NA	silver
CLM-2628-Z-B	black
Properties	
Material	stainless steel

Glass pad

CLM-P



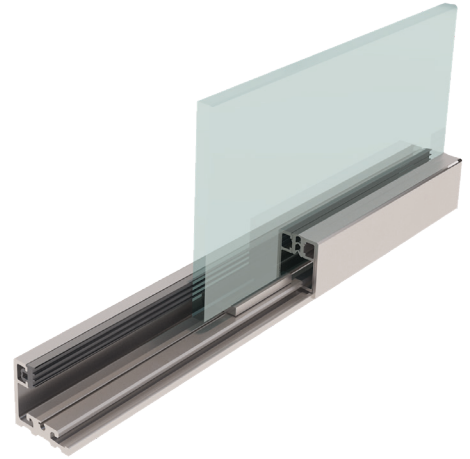
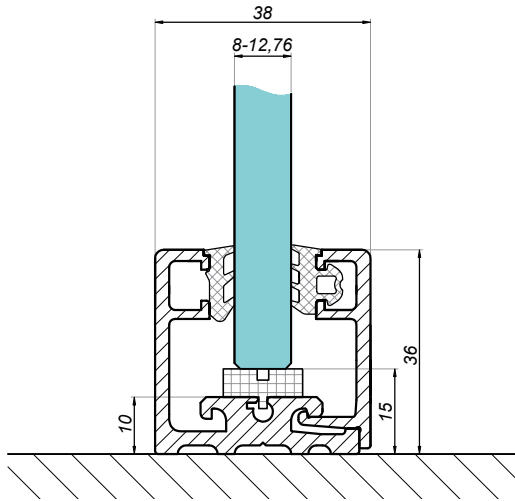
Product code	Height
CLM-P3	3 mm
CLM-P4	4 mm
CLM-P5	5 mm
CLM-P6	6 mm
Properties	
Material	ABS

Set includes 10 pads

Door frames and mounting profiles

Mounting profile - divided

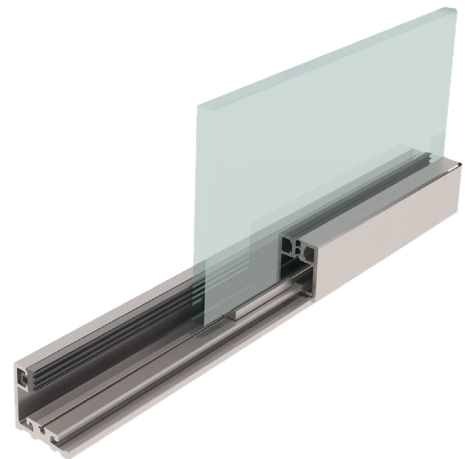
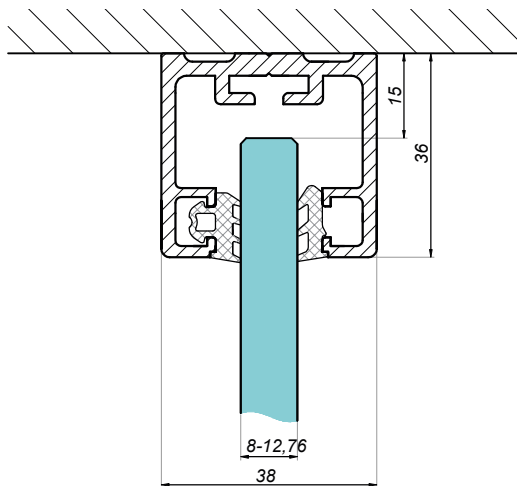
CLM-3638



Product code	L	-AL	-SS	-B	-NA
CLM-3638-3000	3000 mm	<input checked="" type="checkbox"/>	<input checked="" type="checkbox"/>	<input checked="" type="checkbox"/>	<input checked="" type="checkbox"/>
CLM-3638-6000	6000 mm	<input checked="" type="checkbox"/>	<input checked="" type="checkbox"/>	<input checked="" type="checkbox"/>	<input checked="" type="checkbox"/>
Properties					
Material	aluminium				
Glass thickness	8-12,76 mm				

Mounting profile - type „U”

CLM-3638-G

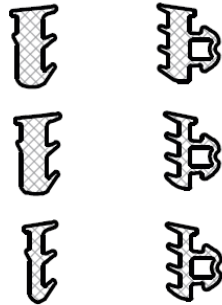
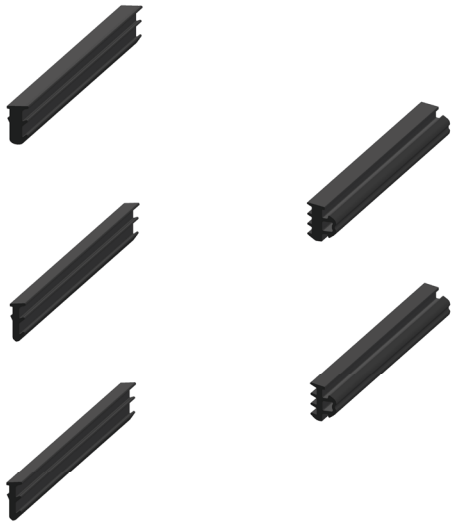


Product code	L	-AL	-SS	-B	-NA
CLM-3638-G-3000	3000 mm	<input checked="" type="checkbox"/>	<input checked="" type="checkbox"/>	<input checked="" type="checkbox"/>	<input checked="" type="checkbox"/>
CLM-3638-G-6000	6000 mm	<input checked="" type="checkbox"/>	<input checked="" type="checkbox"/>	<input checked="" type="checkbox"/>	<input checked="" type="checkbox"/>
Properties					
Material	aluminium				
Glass thickness	8-12,76 mm				

Door frames and mounting profiles

Glass fix seal for CLM-3638/-G

CLM-8/10/12



glass 8 mm

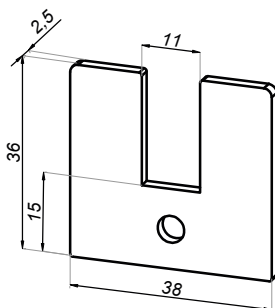
glass 10-10,76 mm

glass 12-12,76 mm

Product code	Glass thickness	Finish
CLM-8-GR	8 mm	gray
CLM-8-B	8 mm	black
CLM-10-GR	10-10,76 mm	gray
CLM-10-B	10-10,76 mm	black
CLM-12-GR	12-12,76 mm	gray
CLM-12-B	12-12,76 mm	black
Properties		
Material	PVC	

End cap for mounting profile

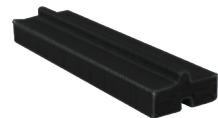
CLM-3638-Z



Product code	Finish
CLM-3638-Z-SS	satın
CLM-3638-Z-NA	silver
CLM-3638-Z-B	black
Properties	
Material	stainless steel

Glass pad

CLM-P



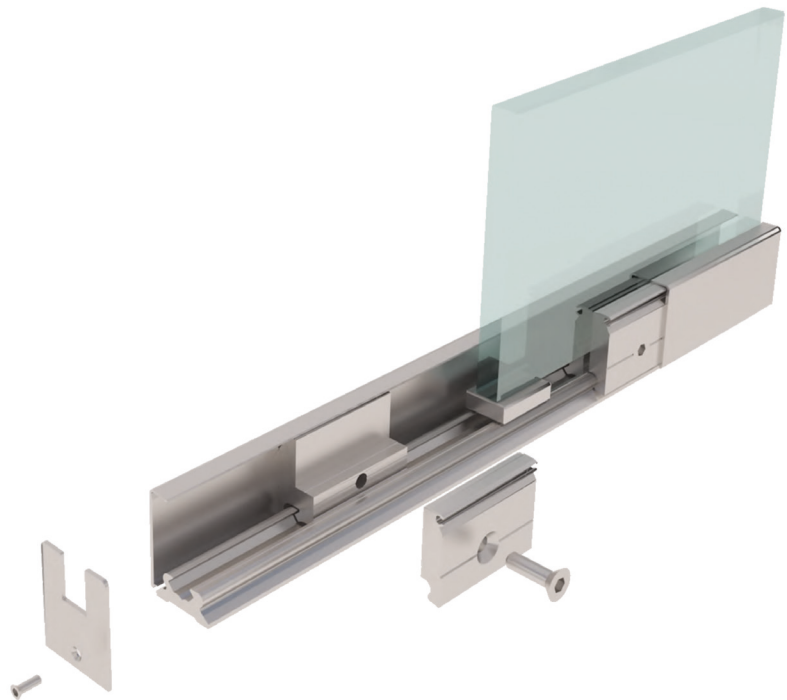
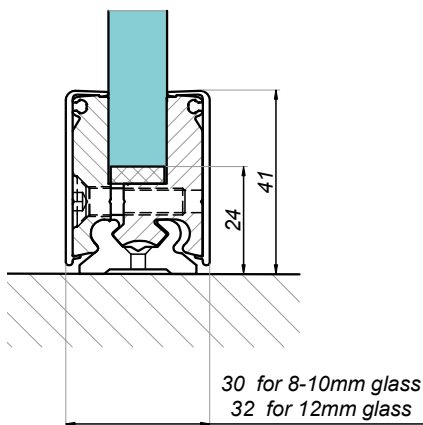
Product code	Height
CLM-P3	3 mm
CLM-P4	4 mm
CLM-P5	5 mm
CLM-P6	6 mm
Properties	
Material	ABS

Set includes 10 pads

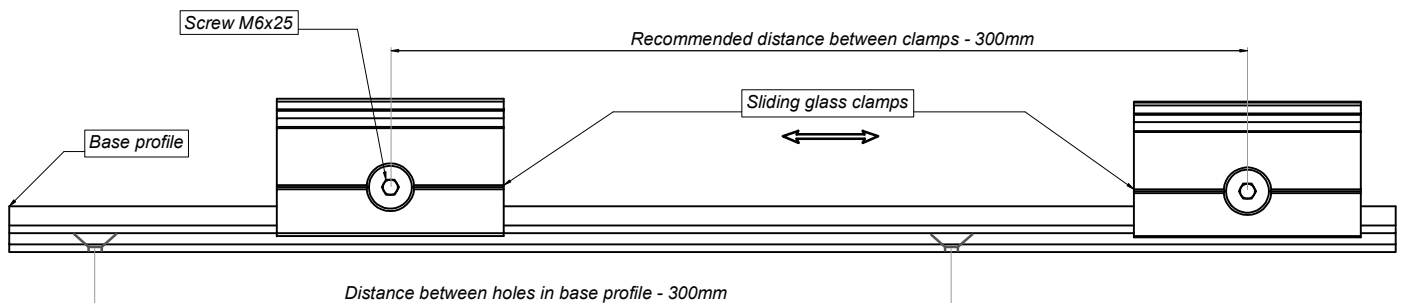
Door frames and mounting profiles

Mounting profile

CLM-41



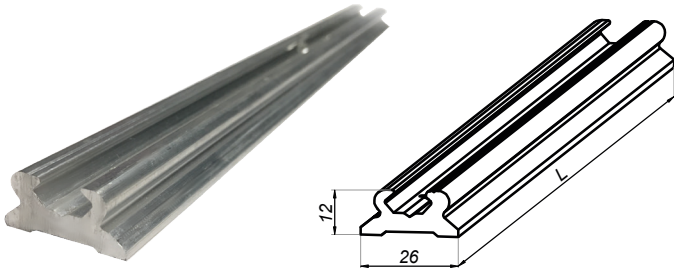
Product code	Glass thickness	L	finish
CLM-41-10/12-2500-NA	10-12 mm	2500 mm	silver anodised
CLM-41-10/12-5000-NA	10-12 mm	5000 mm	silver anodised
CLM-41-10/12-2500-SS	10-12 mm	2500 mm	INOX anodised
CLM-41-10/12-5000-SS	10-12 mm	5000 mm	INOX anodised
CLM-41-10/12-2500-B	10-12 mm	2500 mm	black anodised
CLM-41-10/12-5000-B	10-12 mm	5000 mm	black anodised
Properties			
Material			aluminium
Recommended 3 clamps per meter			



Door frames and mounting profiles

Base profile

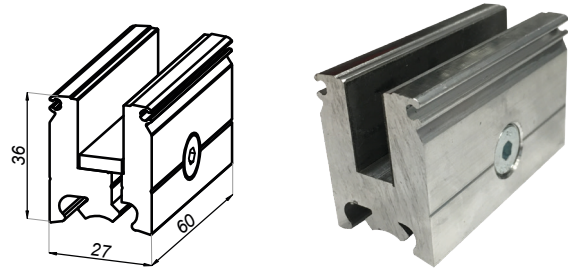
CLM-B



Product code	L
CLM-B-2500	2500 mm
CLM-B-5000	5000 mm
Properties	
Material	aluminium
Mounting holes every 300 mm	

Glass clamps

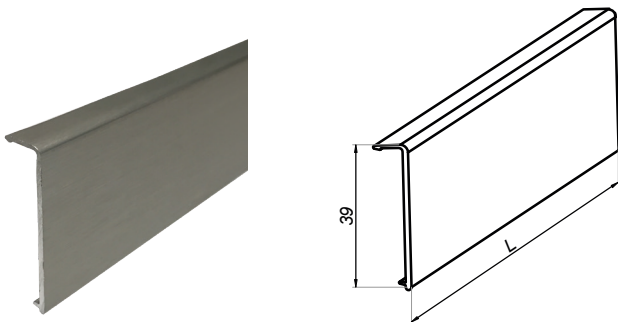
CLM-L



Product code	Glass thickness
CLM-L-8	8 mm
CLM-L-10	10 mm
CLM-L-12	12 mm
Properties	
Material	aluminium
One set contains 8pc. of clamps and 8 pc. of pads	

Cover profile

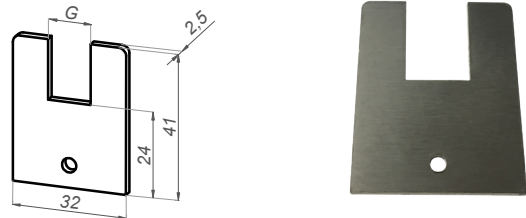
CLM-41-M



Product code	L	Finish
CLM-41-M-2500-NA	2500 mm	silver anodised
CLM-41-M-5000-NA	5000 mm	silver anodised
CLM-41-M-2500-SS	2500 mm	INOX anodised
CLM-41-M-5000-SS	5000 mm	INOX anodised
CLM-41-M-2500-B	2500 mm	black anodised
CLM-41-M-5000-B	5000 mm	black anodised
Properties		
Material	aluminium	

Endcap

CLM-41-Z

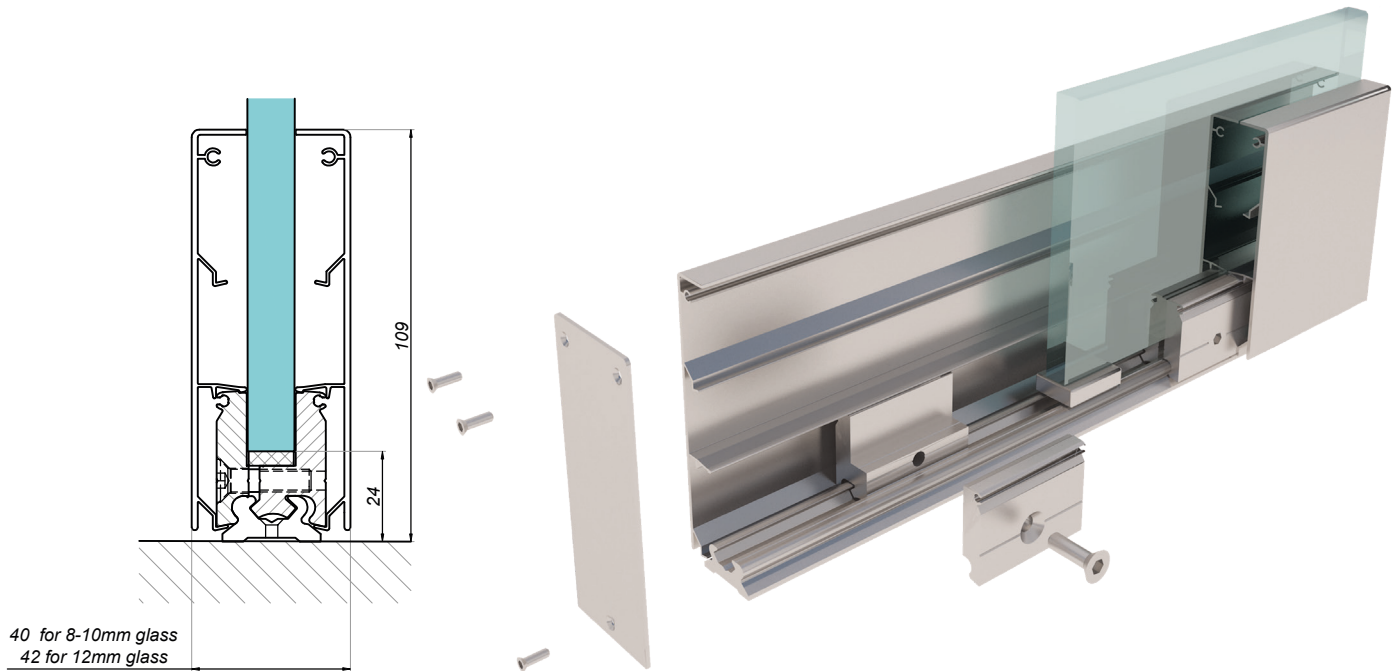


Product code	Glass thickness	Finish
CLM-41-10-Z-NA	10 mm	silver anodised
CLM-41-12-Z-NA	12 mm	silver anodised
CLM-41-10-Z-SS	10 mm	INOX anodised
CLM-41-12-Z-SS	12 mm	INOX anodised
CLM-41-10-Z-B	10 mm	black anodised
CLM-41-12-Z-B	12 mm	black anodised
Properties		
Material	aluminium	

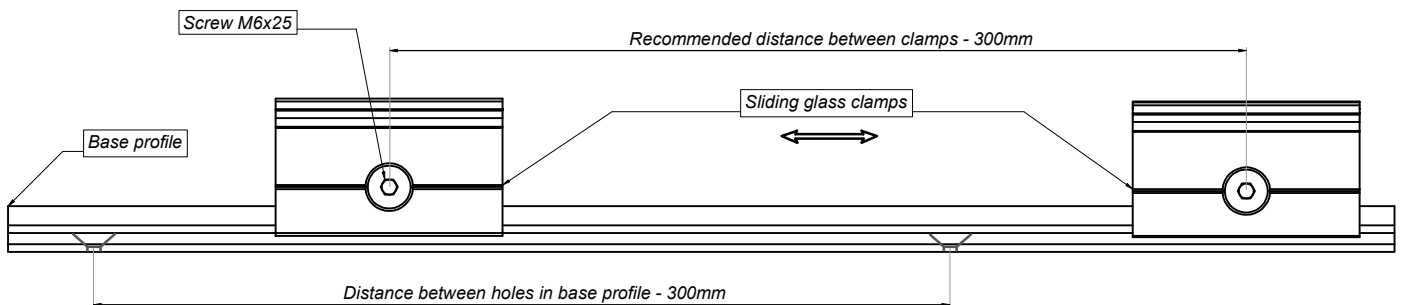
Door frames and mounting profiles

Mounting profile

CLM-109



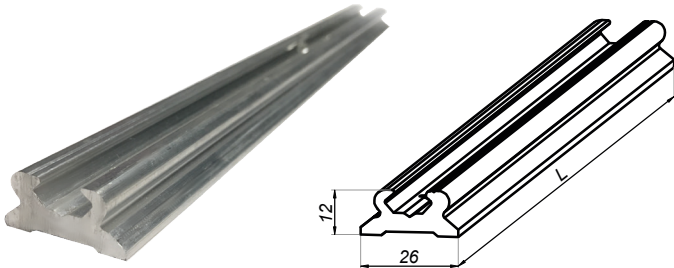
Product code	Glass thickness	L	finish
CLM-109-10/12-2500-NA	10-12 mm	2500 mm	silver anodised
CLM-109-10/12-5000-NA	10-12 mm	5000 mm	silver anodised
CLM-109-10/12-2500-SS	10-12 mm	2500 mm	INOX anodised
CLM-109-10/12-5000-SS	10-12 mm	5000 mm	INOX anodised
Properties			
Material			aluminum
Recommended 3 clamps per meter			



Door frames and mounting profiles

Base profile

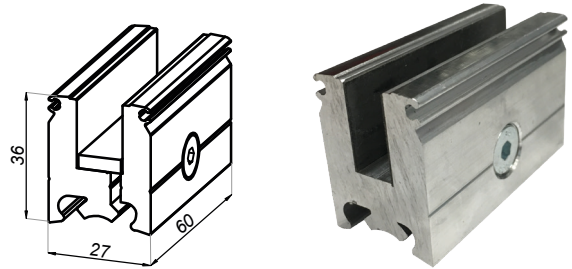
CLM-B



Product code	L
CLM-B-2500	2500 mm
CLM-B-5000	5000 mm
Properties	
Material	aluminium
Mounting holes every 300 mm	

Glass clamps

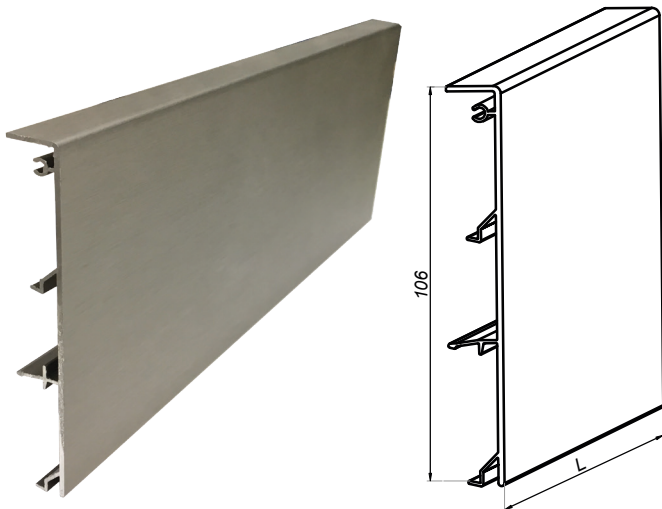
CLM-L



Product code	Glass thickness
CLM-L-8	8 mm
CLM-L-10	10 mm
CLM-L-12	12 mm
Properties	
Material	aluminium
One set contains 8pc. of clamps and 8 pc. of pads	

Cover profile

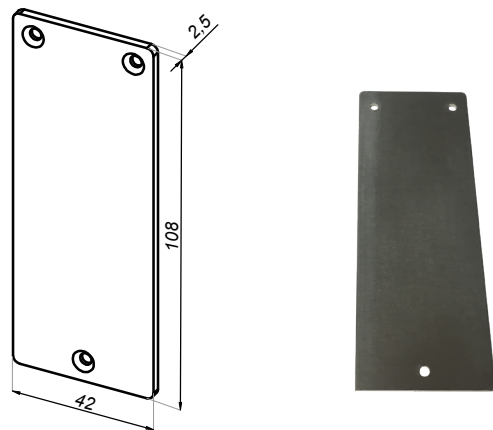
CLM-109-M



Product code	L	Finish
CLM-109-M-2500-NA	2500 mm	silver anodised
CLM-109-M-5000-NA	5000 mm	silver anodised
CLM-109-M-2500-SS	2500 mm	INOX anodised
CLM-109-M-5000-SS	5000 mm	INOX anodised
Properties		
Material	aluminium	

Endcap

CLM-109-Z

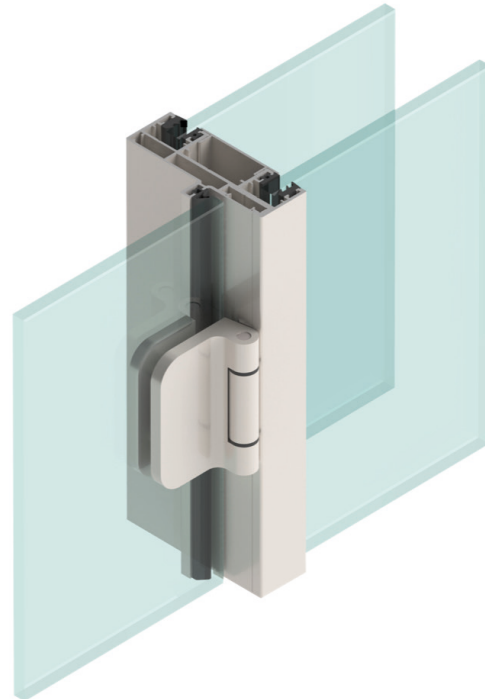
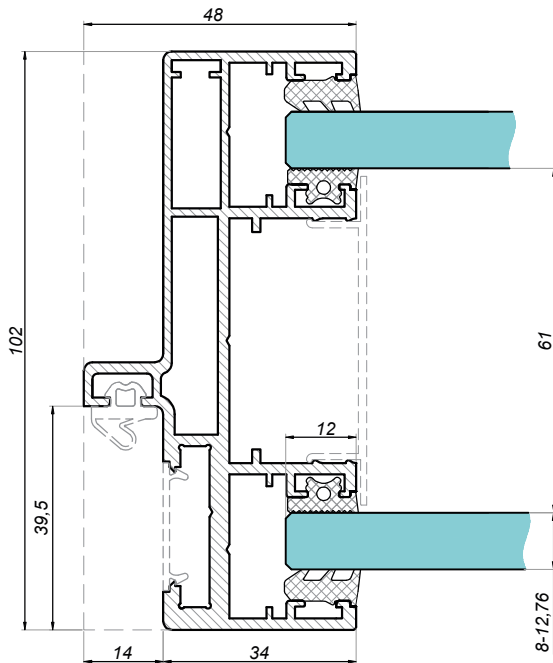


Product code	Glass thickness	Finish
CLM-109-10-Z-NA	10 mm	silver anodised
CLM-109-12-Z-NA	12 mm	silver anodised
CLM-109-10-Z-SS	10 mm	INOX anodised
CLM-109-12-Z-SS	12 mm	INOX anodised
Properties		
Material	aluminium	

Door frames and mounting profiles

Door frame

OFC-4S-DOUBLE

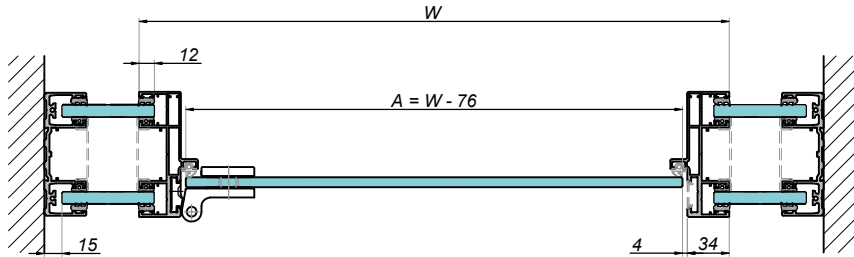


Product code	Finish
OFC-4S-DOUBLE-AL	raw aluminium
OFC-4S-DOUBLE-NA	silver anodised
OFC-4S-DOUBLE-B	black anodised
Properties	
Glass door thickness	8-10 mm
Thickness of glass panel	8-12,76 mm
Length	6000 mm
Material	aluminium
Max. door height	2400 mm
Above 2200 mm height, it is recommended to use 3 hinges.	

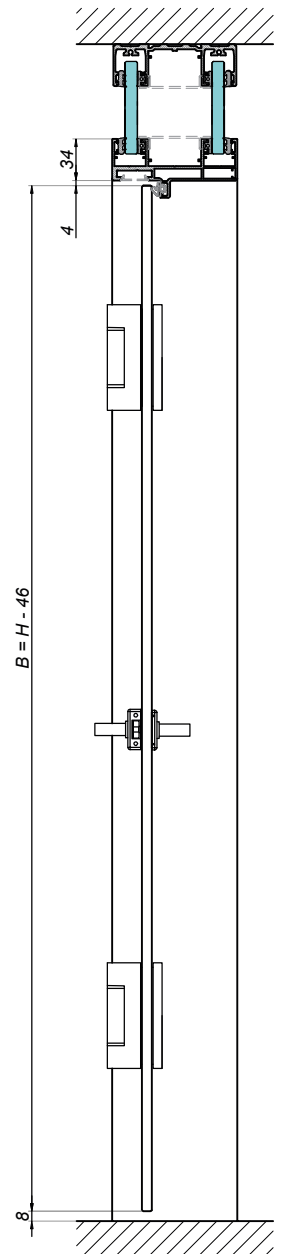
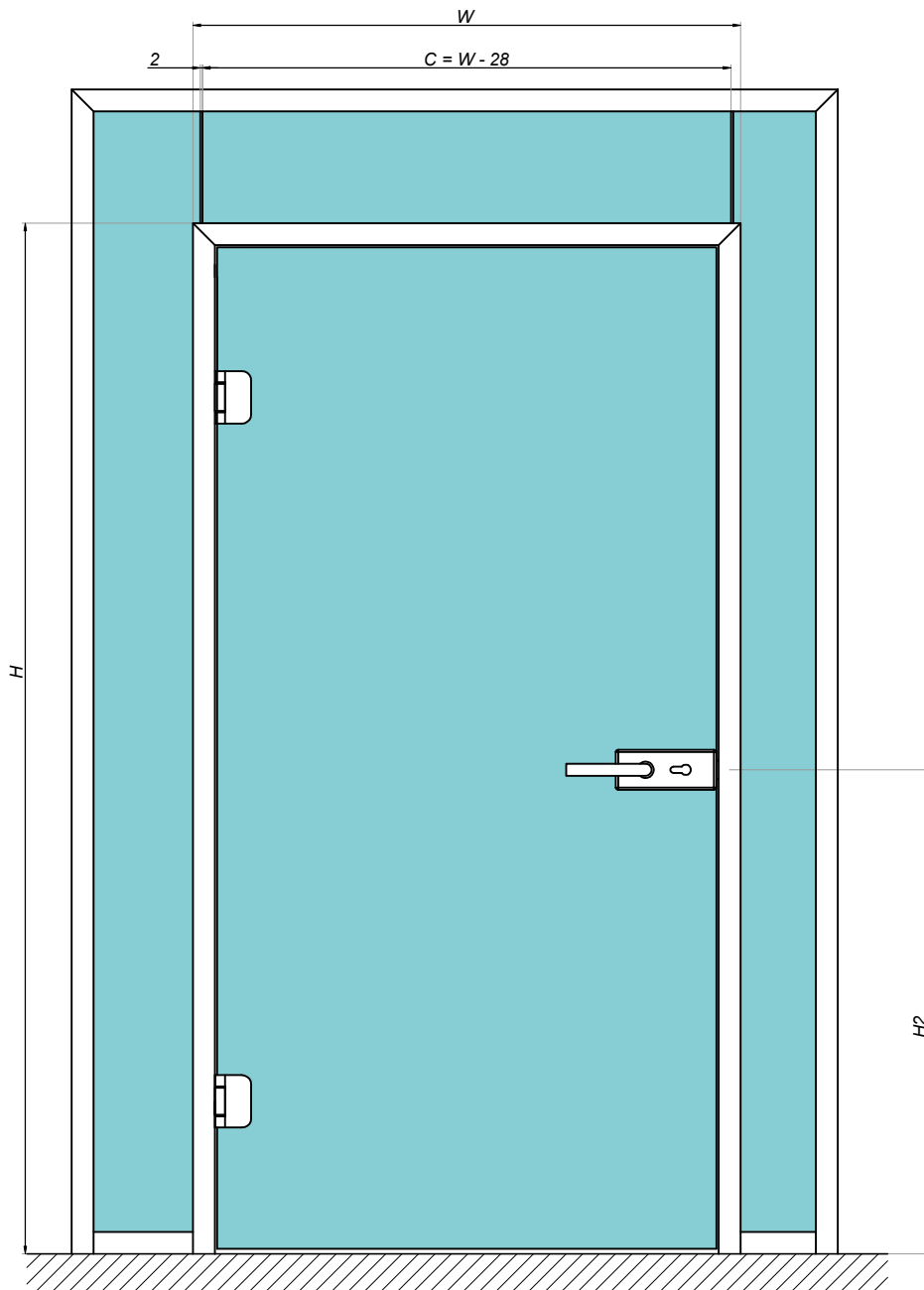
Door frames and mounting profiles

Measuring schema

OFC-4S-DOUBLE



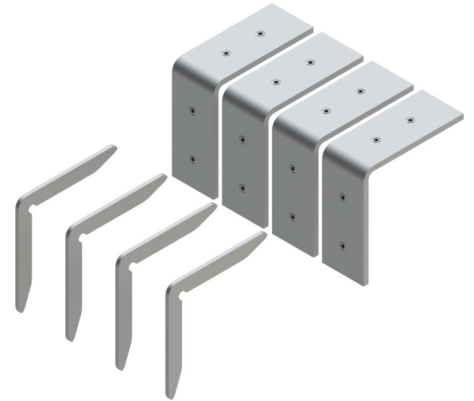
- A - door width
- B - door height
- W - base opening width
- W1 - frame width
- H - base opening height
- H1 - door frame height



Door frames and mounting profiles

Set of mounting corners

OFC-4S-DOUBLE-KIT



Product code

OFC-4S-DOUBLE-KIT

Properties

Material stainless steel

Main seal for door frame

OFC-V

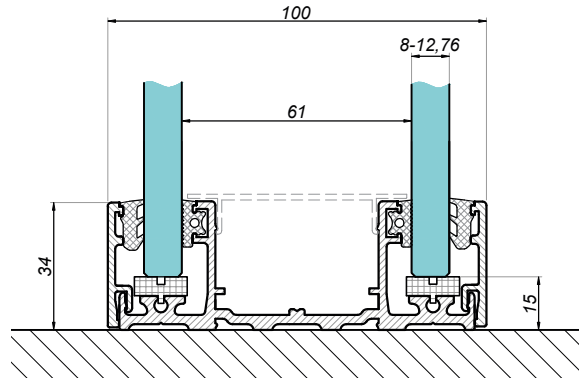
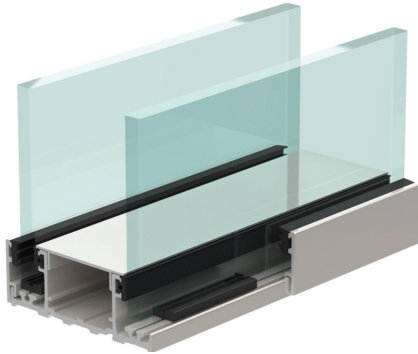


Product code	Glass thickness	Finish
OFC-V-8-GR	8 mm	gray
OFC-V-8-B	8 mm	black
OFC-V-10-GR	10 mm	gray
OFC-V-10-B	10 mm	black
OFC-V-12-GR	12 mm	gray
OFC-V-12-B	12 mm	black
Properties		
Material		PVC

Door frames and mounting profiles

Mounting profile - divided

CLM-3410-DOUBLE

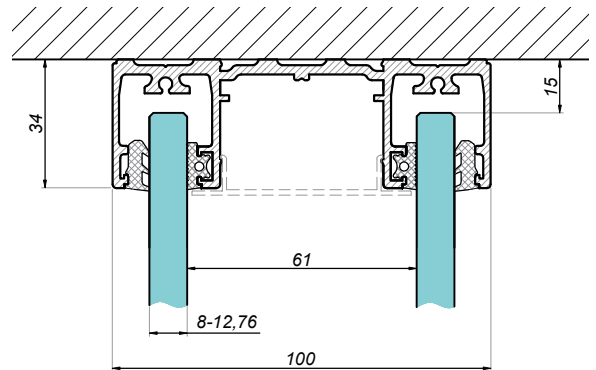
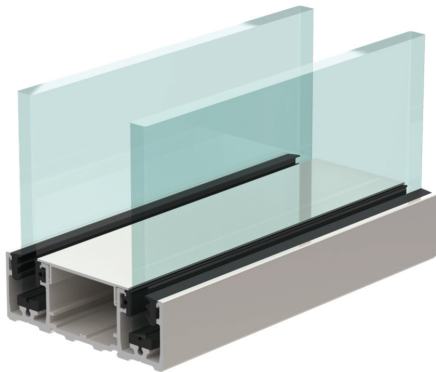


Product code	L	Finish
CLM-3410-DOUBLE-6000-AL	6000 mm	raw aluminium
CLM-3410-DOUBLE-6000-NA	6000 mm	silver anodised
CLM-3410-DOUBLE-6000-B	6000 mm	black anodised
Properties		
Glass thickness		8-12,76 mm
Material		aluminium
Max. height		3200 mm

Above 2800 mm height, it is recommended to use glass 12 mm or 66.2

Mounting profile - type „U”

CLM-3410-G-DOUBLE



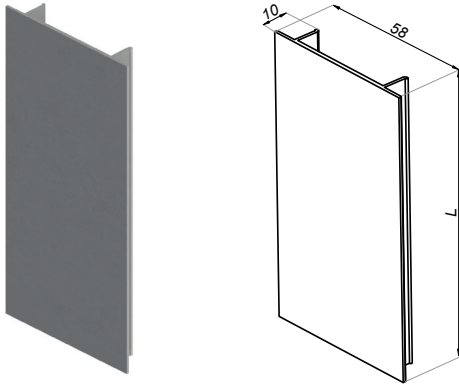
Product code	L	Finish
CLM-3410-G-DOUBLE-6000-AL	6000 mm	raw aluminium
CLM-3410-G-DOUBLE-6000-NA	6000 mm	silver anodised
CLM-3410-G-DOUBLE-6000-B	6000 mm	black anodised
Properties		
Glass thickness		8-12,76 mm
Material		aluminium
Max. height		3200 mm

Above 2800 mm height, it is recommended to use glass 12 mm or 66.2

Door frames and mounting profiles

Glazing cover

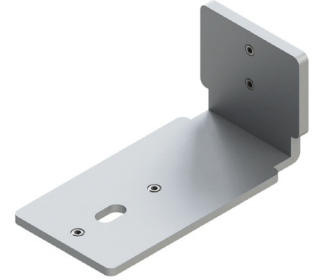
CLM-3410-M



Product code	L	Finish
CLM-3410-M-6000-AL	6000 mm	raw aluminium
CLM-3410-M-6000-NA	6000 mm	silver anodised
CLM-3410-M-6000-B	6000 mm	black anodised
Properties		
Material	aluminium	

90° fastening - door frame - mounting strip

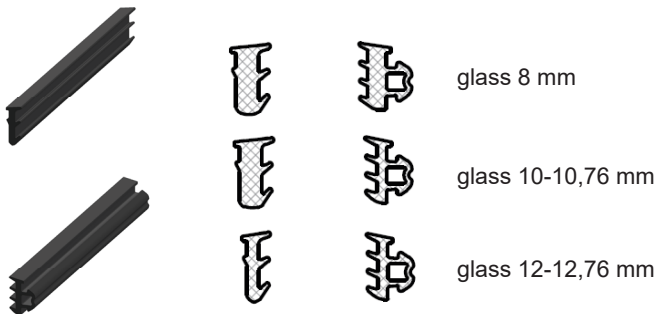
CLM-3410-K



Product code	CLM-3410-K
Properties	
Material	stainless steel

Fixed glazing gasket

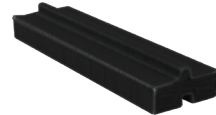
CLM-8/10/12



Product code	Glass thickness	Finish
CLM-8-GR	8 mm	gray
CLM-8-B	8 mm	black
CLM-10-GR	10 mm	gray
CLM-10-B	10 mm	black
CLM-10-GR	10,76 mm	gray
CLM-10-B	10,76 mm	black
CLM-12-GR	12 mm	gray
CLM-12-B	12 mm	black
CLM-1276-GR	12,76 mm	gray
CLM-1276-B	12,76 mm	black
Properties		
Material	PVC	

Glass pad

CLM-P

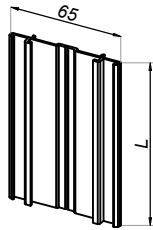
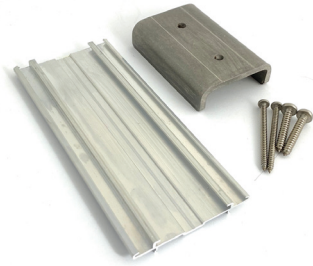


Product code	Height
CLM-P3	3 mm
CLM-P4	4 mm
CLM-P5	5 mm
CLM-P6	6 mm
Properties	
Material	ABS
Set includes 10 pads	

Door frames and mounting profiles

Installation pole - base profile

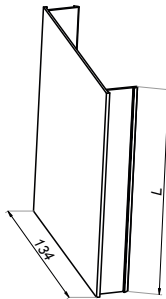
CLM-134



Product code	L	Finish
CLM-134-B	3000 mm	raw aluminium
Properties		
Material	stainless steel	

Installation pole - cover

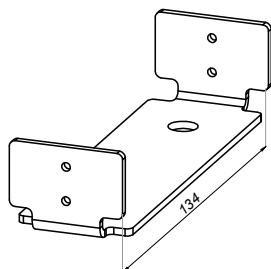
CLM-134-M



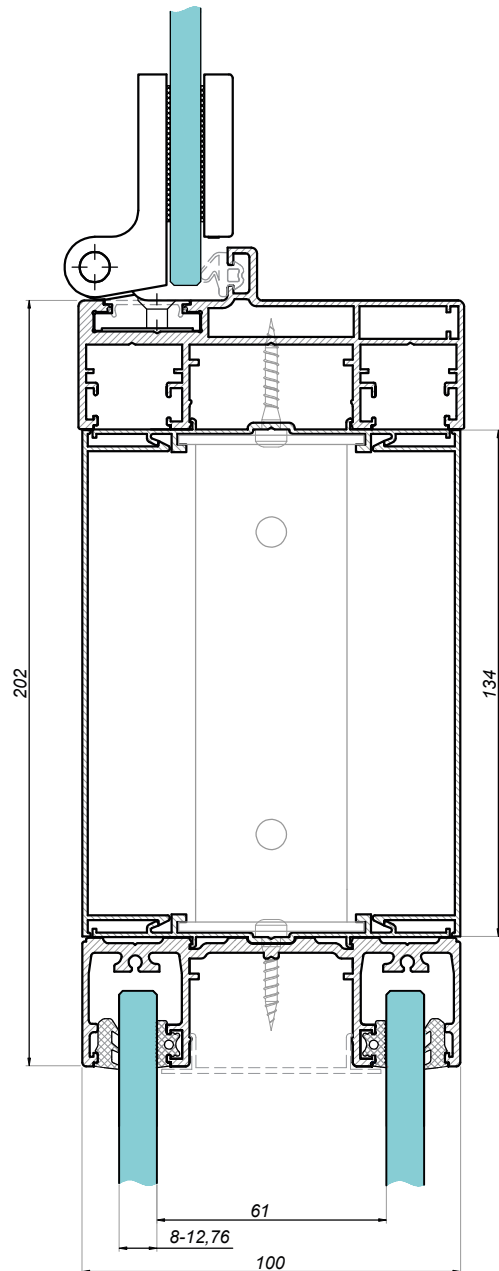
Product code	L	Finish
CLM-134-M-6000-AL	6000 mm	raw aluminium
CLM-134-M-6000-SS	6000 mm	INOX anodised
CLM-134-M-6000-NA	6000 mm	silver anodised
CLM-134-M-6000-B	6000 mm	black anodised
Properties		
Material	aluminium	

Installation pole - expansion fastening

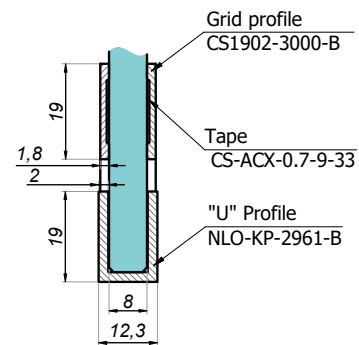
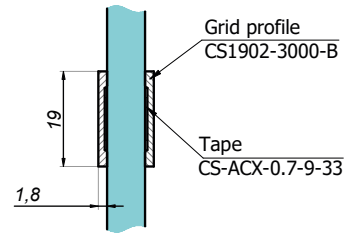
CLM-134



Product code	CLM-134
Properties	
Material	aluminium



Door frames and mounting profiles



Grid profile

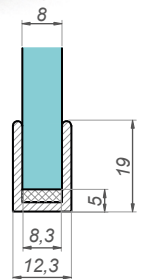
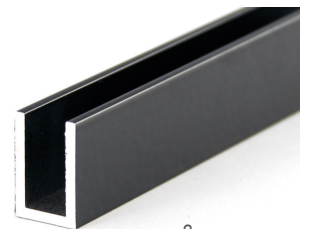
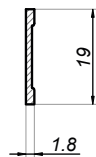
Tape for grid profiles

„U” Profile

CS-1902

CS-ACX

NLO-KP-2961-B



Product code	Size	Finish
CS-1902-3000-B	19x2 mm	black anodised
CS-1902-3000-AL	19x2 mm	raw aluminium
Properties		
Length	3000 mm	

Product code	Size	Length
CS-ACX-0,7-9-33	0,7x9 mm	33 m

Product code	L	Finish
NLO-KP-2961-2,0-B	2000 mm	black
NLO-KP-2961-2,5-B	2500 mm	black
NLO-KP-2961-3,0-B	3000 mm	black
NLO-KP-2961-5,0-B	5000 mm	black
NLO-KP-2961-6,0-B	6000 mm	black
Properties		
Material	aluminium	
Glass thickness	8 mm	