



09

**SLIDING
SYSTEMS** FOR
SHOWER CABINS

Sliding system

S001



Sliding systems for shower cabins

Accessory set

NLO-DP01-S001

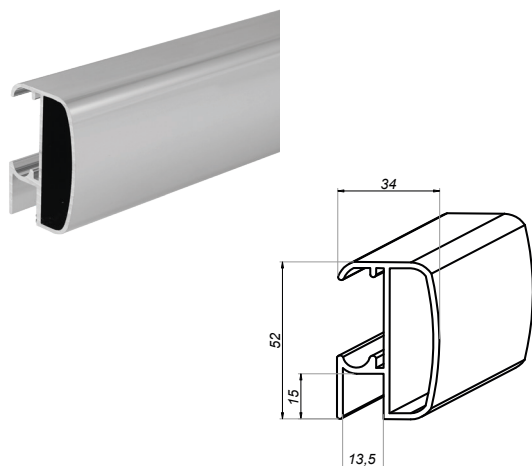


Product code	Finish
NLO-DP01-S001-PS	polish
Properties	
Maximum door weight	65 kg
Glass thickness	8-10 mm
Material	brass
Maximum length	2000 mm

One set consists of:	
Roller	2 pc.
Connector profile-wall	2 pc.
Door stopper	2 pc.
Door handle	1 pc.
Floor guides	1 pc.
Key for roller	1 pc.

Sliding profile

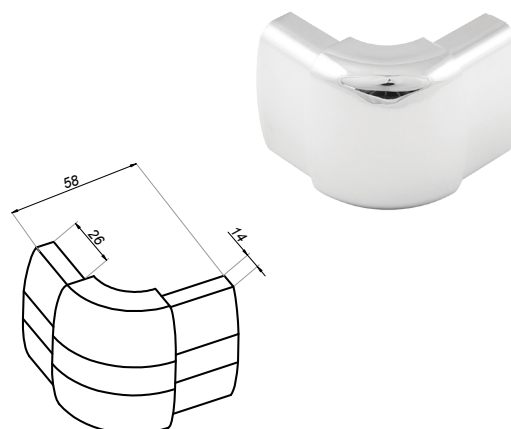
NLO-DP01-S001-2



Product code	Finish
NLO-DP01-S001-2-PS	polish
Properties	
Material	aluminium
Profile length	2000 mm

Angular guideway connector 90°

NLO-DP01-S001-3

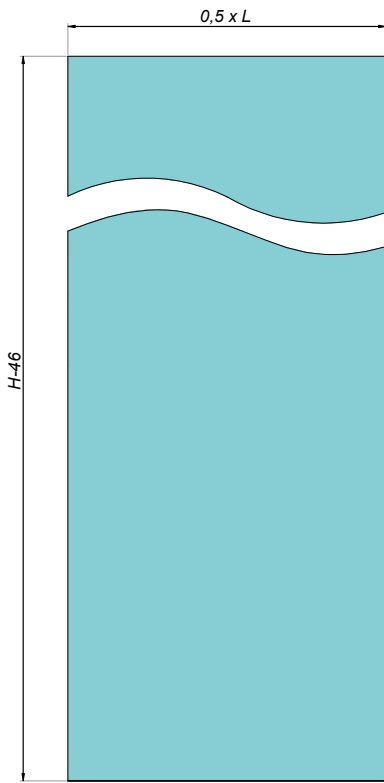


Product code	Finish
NLO-DP01-S001-3-PS	polish
Properties	
Material	ABS

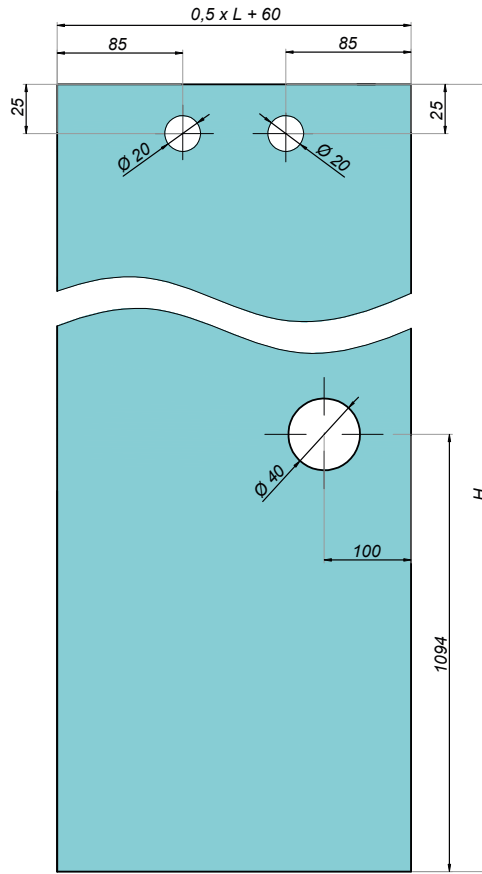
Mounting schema

S001 system

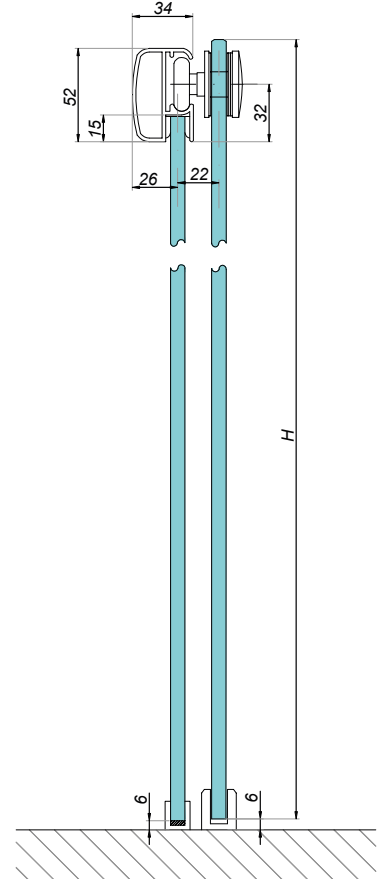
Scale 2:1



fixed panel

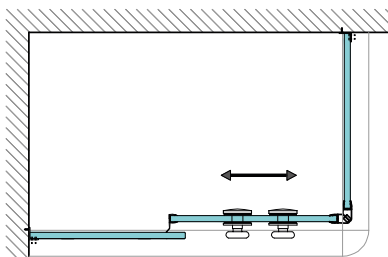


glass door



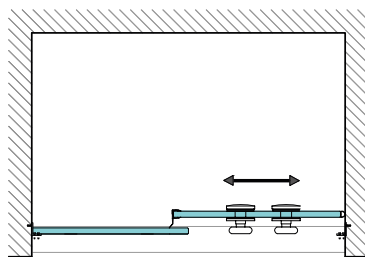
Usage example no. 1

Corner shower -
single sliding door



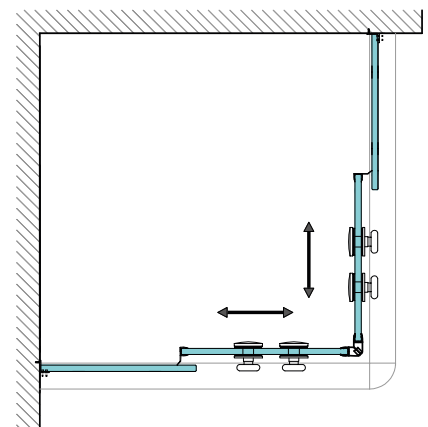
Usage example no. 2

Wall-wall shower -
single sliding door



Usage example no. 3

Corner shower -
double sliding door



To properly design the cabin,
please contact our sales specialists.
Be careful! Different glass preparation!

Sliding system

S002



Sliding systems for shower cabins

Accessory set NLO-DP02-S002

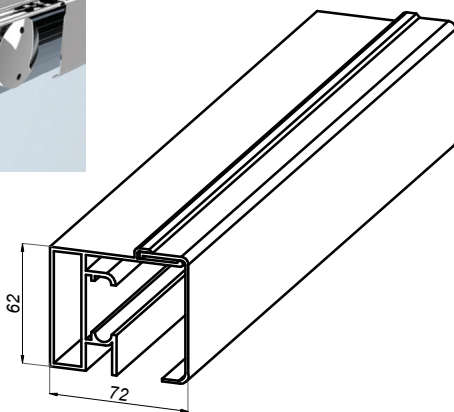
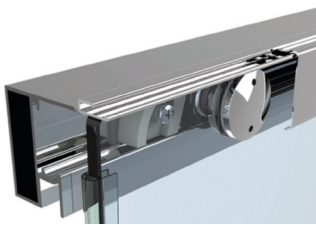


Product code	Finish
NLO-DP02-S002-PS	polish
NLO-DP02-S002-B	black
Properties	
Maximum door weight	65 kg
Glass thickness	8-10 mm
Material	brass
Maximum length	2000 mm

One set consists of:	
Roller	2 pc.
Connector profile - wall	2 pc.
Door stopper	2 pc.
Door handle	1 pc.
Floor guides	1 pc.
Key for sliding roller	1 pc.

Sliding profile

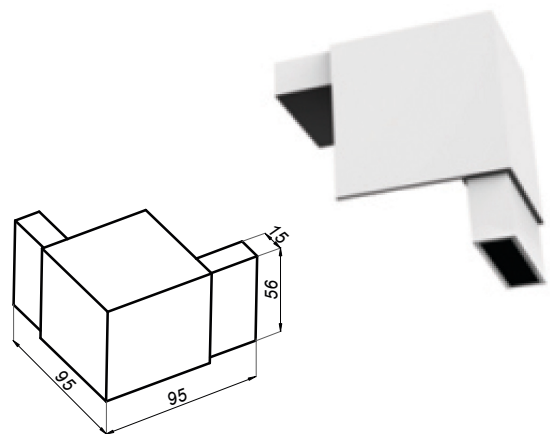
NLO-DP02-S002-2



Product code	Finish
NLO-DP02-S002-2-PS	polish
NLO-DP02-S002-2-B	black
Properties	
Material	aluminium
Profile length	2000 mm

Angular guideway connector 90°

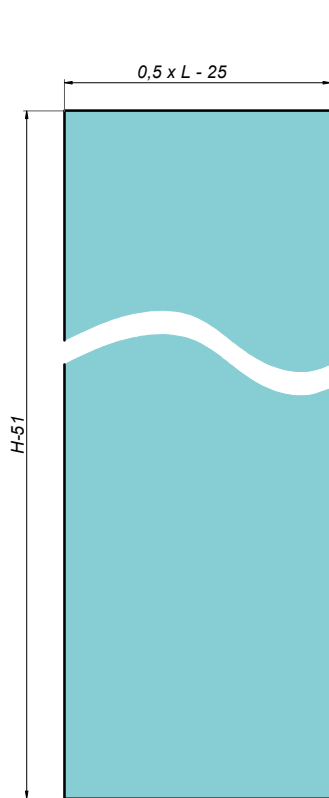
NLO-DP02-S002-3



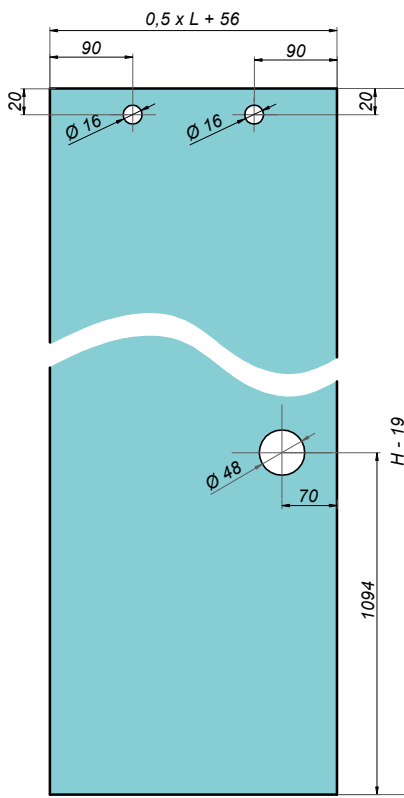
Product code	Finish
NLO-DP02-S002-3-PS	polish
NLO-DP02-S002-3-B	black
Properties	
Material	ABS

Mounting schema

S002 system

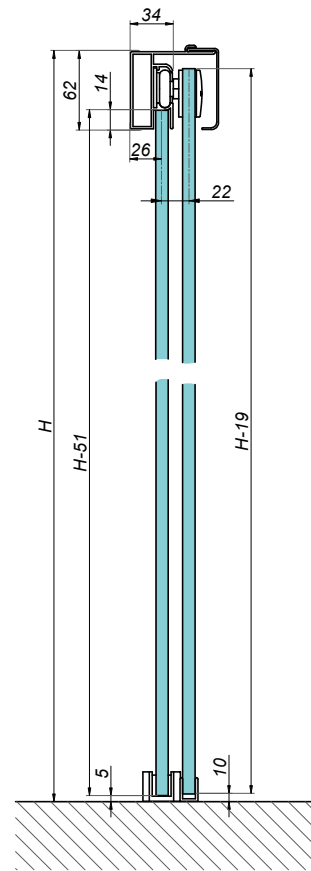


fixed panel



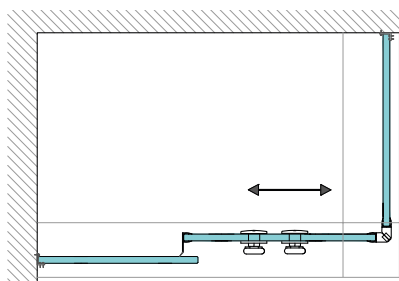
glass door

Scale 2:1



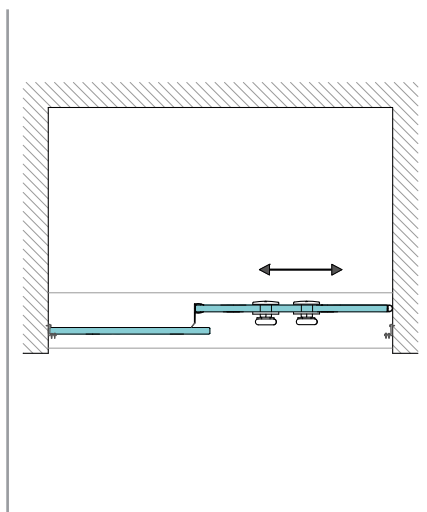
Usage example no. 1

Corner shower -
single sliding door



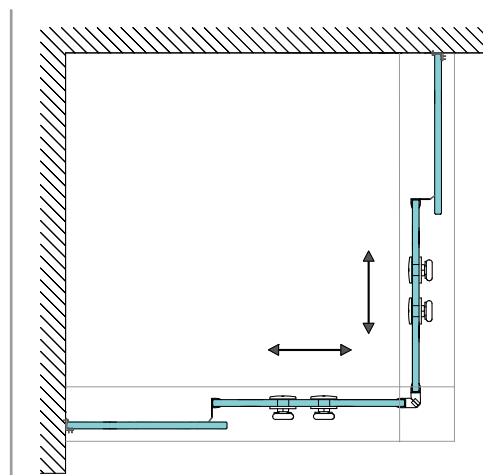
Usage example no. 2

Wall-wall shower -
single sliding door



Usage example no. 3

Corner shower -
double sliding door



To properly design the cabin,
please contact our sales specialists.
Be careful! Different glass preparation!

Sliding system

S003



Sliding systems for shower cabins

Accessory set

NLO-DP03-S003

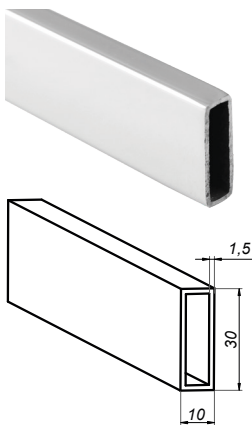


One set consists of:	
Roller	2 pc.
Connector bar - wall	2 pc.
Connector glass - bar	2 pc.
Door stopper	2 pc.
Floor door stopper	2 pc.
Door handle	1 pc.
Floor guide	1 pc.
Attention: For mounting purposes, header bar needs 2 holes: 2x Ø10 mm through the bar	

Product code	Finish
NLO-DP03-S003-PS	polish
NLO-DP03-S003-SS	satın
NLO-DP03-S003-B	black
NLO-DP03-S003-G	gold
Properties	
Max. door weight	65 kg
Glass thickness	8-12 mm
Material	stainless steel
Max. length	2000 mm

Header bar

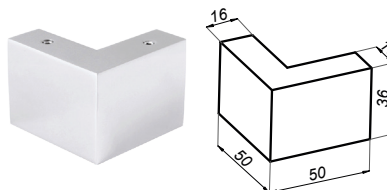
NLO-DP03-S003-8-2



Product code	L	Finish
NLO-DP03-S003-8-2-PS	2000 mm	polish
NLO-DP03-S003-8-2-SS	2000 mm	satın
NLO-DP03-S003-8-2-B	2000 mm	black
NLO-DP03-S003-8-2-G	2000 mm	gold
Properties		
Material	stainless steel	

Connector bar-bar 90°

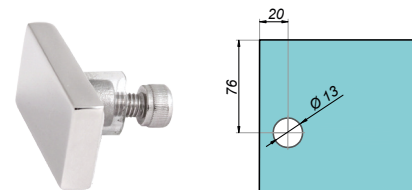
NLO-DP03-S003



Product code	Finish
NLO-DP03-S003-PS	polish
NLO-DP03-S003-SS	satın
NLO-DP03-S003-B	black
NLO-DP03-S003-G	gold
Properties	
Material	stainless steel

Point holder for fixed panel

NPC1213



Product code	Finish
NPC1213-PS	polish
NPC1213-SS	satın
NPC1213-B	black
NPC1213-G	gold
Properties	
Material	stainless steel

Fixed glass holder for S003/S010 systems

NLO-DP-S003/S010

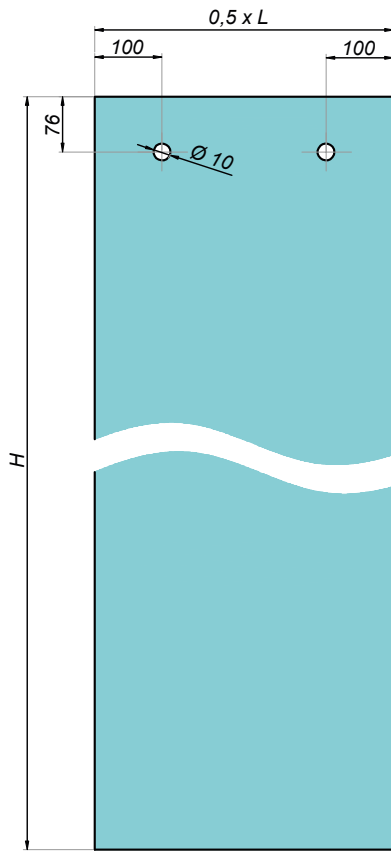


Product code	Finish
NLO-DP-S003/S010-PS	polish
Properties	
Glass thickness	8-12 mm
Material	stainless steel

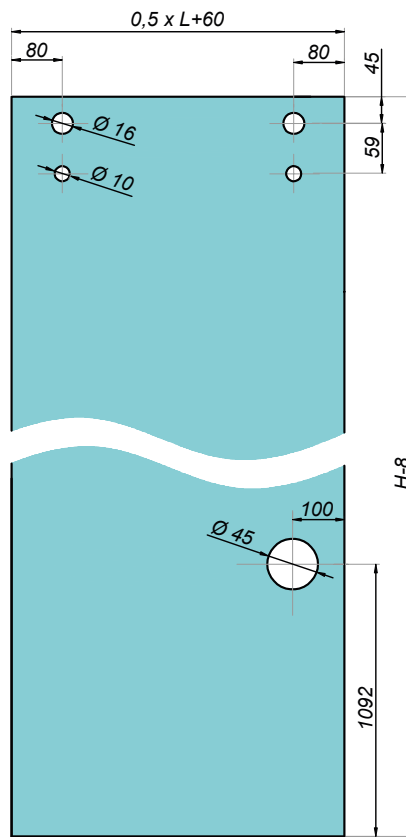
Mounting schema

S003 system

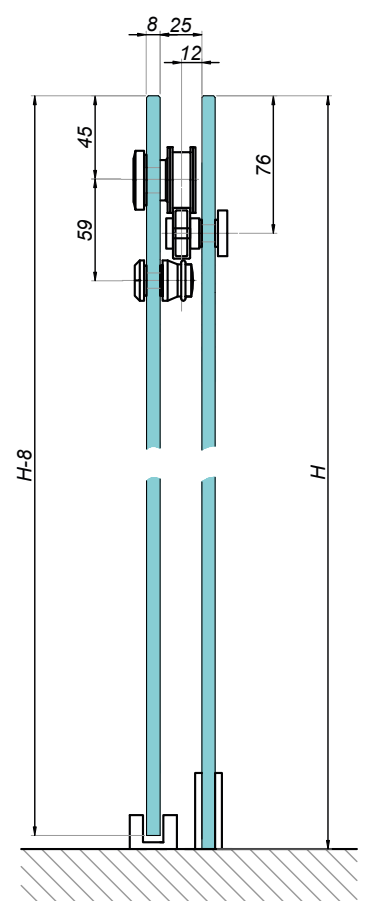
Scale 2:1



fixed panel

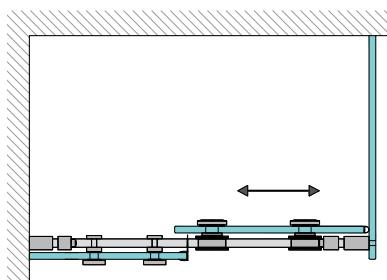


glass door



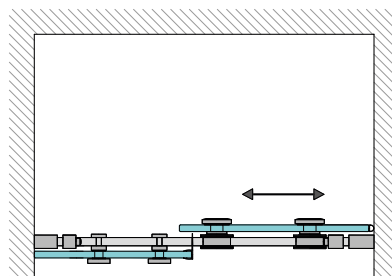
Usage example no. 1

Corner shower -
single sliding door



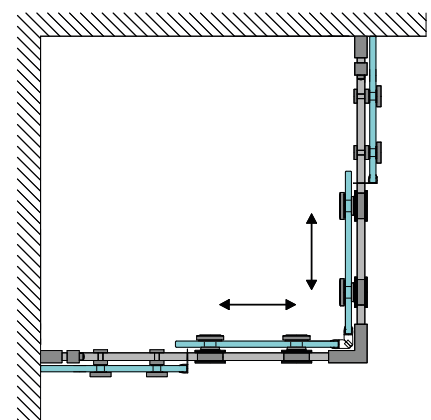
Usage example no. 2

Wall-wall shower -
single sliding door



Usage example no. 3

Corner shower -
double sliding door



To properly design the cabin,
please contact our sales specialists.
Be careful! Different glass preparation!

Sliding system

S008



Sliding systems for shower cabins

Accessory set NLO-DP08-S008

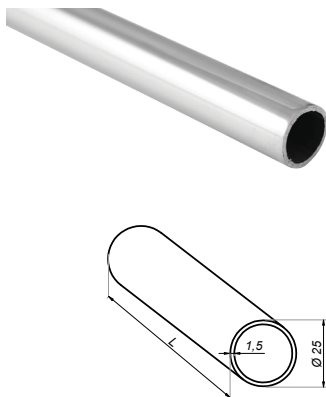


Product code	Finish
NLO-DP08-S008-PS	polish
NLO-DP08-S008-SS	satın
Properties	
Maximum door weight	65 kg
Glass thickness	8-10 mm
Material	stainless steel
Maximum length	2000 mm

One set consists of:	
Roller	2 pc.
Connector profile - wall	2 pc.
Connector glass panel - bar	2 pc.
Door stopper	1 pc.
Floor door stopper	1 pc.
Door handle	1 pc.
Floor guide	1 pc.

Header bar

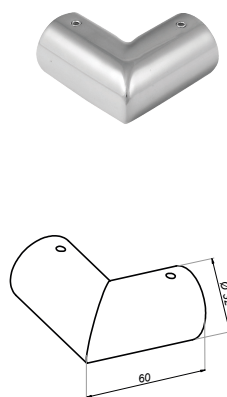
NLO-DP08-232-25-2



Product code	L	Finish
NLO-DP08-232-25-2-PS	2000 mm	polish
NLO-DP08-232-25-2-SS	2000 mm	satın
Properties		
Material	stainless steel	

Guideway connector 90°

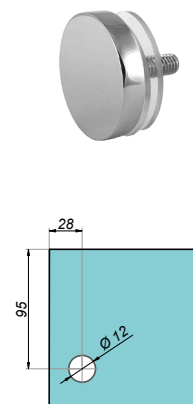
NTK-03-25



Product code	Finish
NTK-03-25-PS	polish
Properties	
Material	stainless steel

Point holder for fixed panel

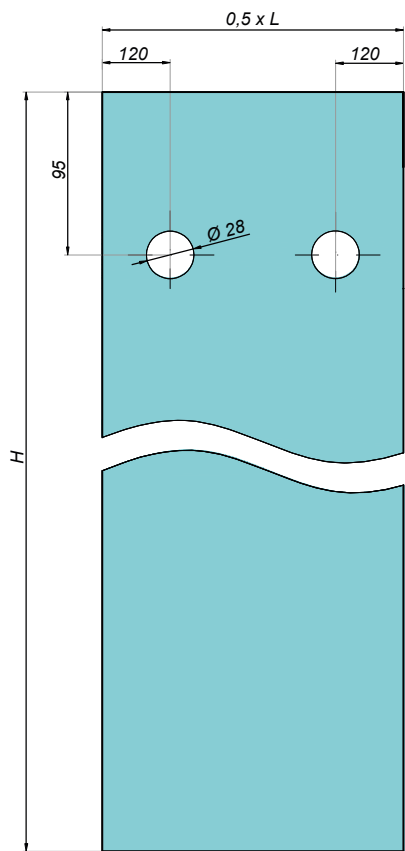
NLO-DP08/10



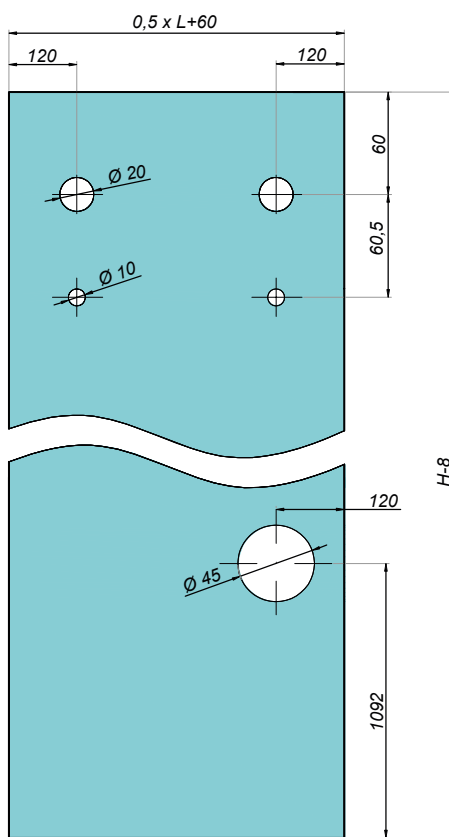
Product code	Finish
NLO-DP08/10-PS	polish
Properties	
Glass thickness	8-12 mm
Material	stainless steel

Mounting schema

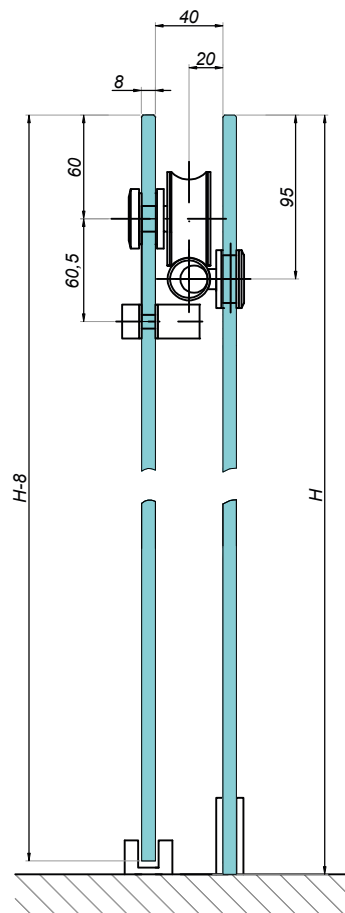
S008 system



fixed panel



glass door



Usage example no. 1

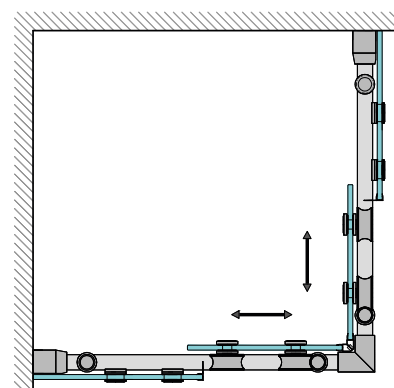
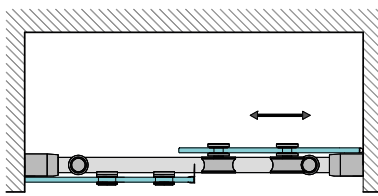
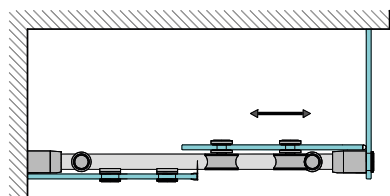
Corner shower -
single sliding door

Usage example no. 2

Wall-wall shower -
single sliding door

Usage example no. 3

Corner shower -
double sliding door



To properly design the cabin,
please contact our sales specialists.
Be careful! Different glass preparation!

Sliding system

S010



Sliding systems for shower cabins

Accessory set

NLO-DP10-S010



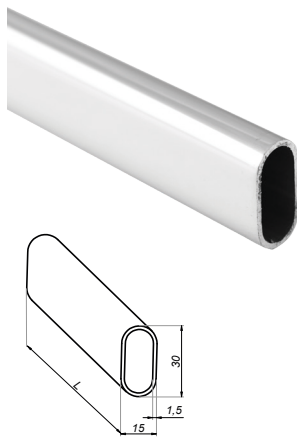
One set consists of:	
Roller	2 pc.
Connector bar - wall	2 pc.
Connector glass - bar	2 pc.
Door stopper	2 pc.
Floor door stopper	2 pc.
Door handle	1 pc.
Floor guide	1 pc.

Attention: For mounting purposes, header bar needs 2 holes:
2x Ø10 mm through the bar

Product code	Finish
NLO-DP10-S010-PS	polish
NLO-DP10-S010-SS	satın
Properties	
Max. door weight	65 kg
Glass thickness	8-12 mm
Material	stainless steel
Max. length	2000 mm

Header bar

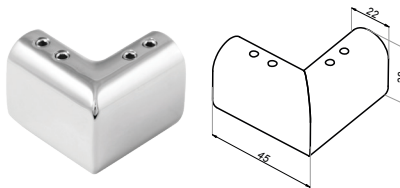
NLO-DP10-S010-8-2



Product code	L	Finish
NLO-DP10-S010-8-2-PS	2000 mm	polish
NLO-DP10-S010-8-2-SS	2000 mm	satın
Properties		
Material	stainless steel	

Connector bar-bar 90°

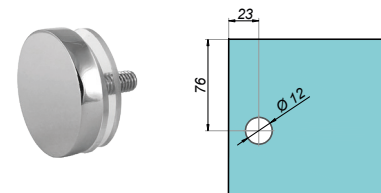
NLO-DP10-S010-9



Product code	Finish
NLO-DP10-S010-9-PS	polish
Properties	
Material	stainless steel

Point holder for fixed panel

NLO-DP08/10



Product code	Finish
NLO-DP08/10-PS	polish
Properties	
Material	stainless steel

Fixed glass holder for S003/S010 systems

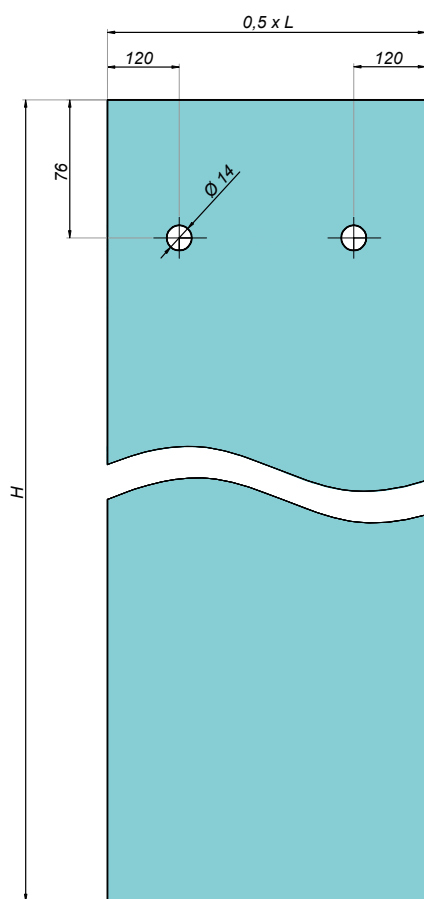
NLO-DP-S003/S010



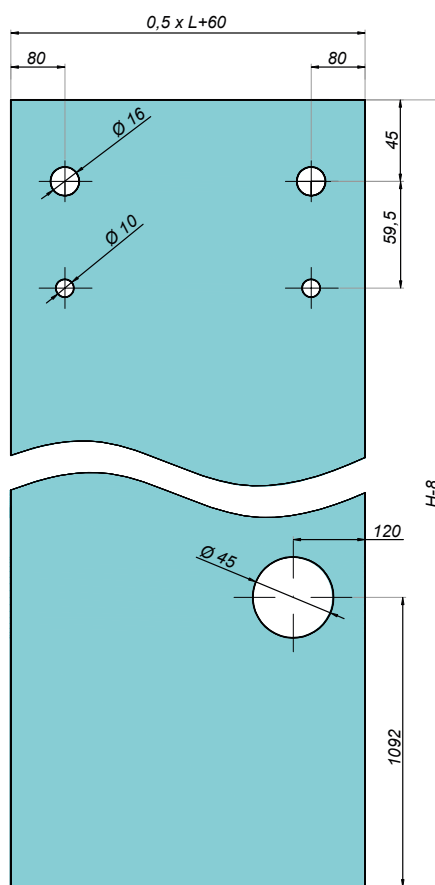
Product code	Finish
NLO-DP-S003/S010-PS	polish
Properties	
Glass thickness	8-12 mm
Material	stainless steel

Mounting schema

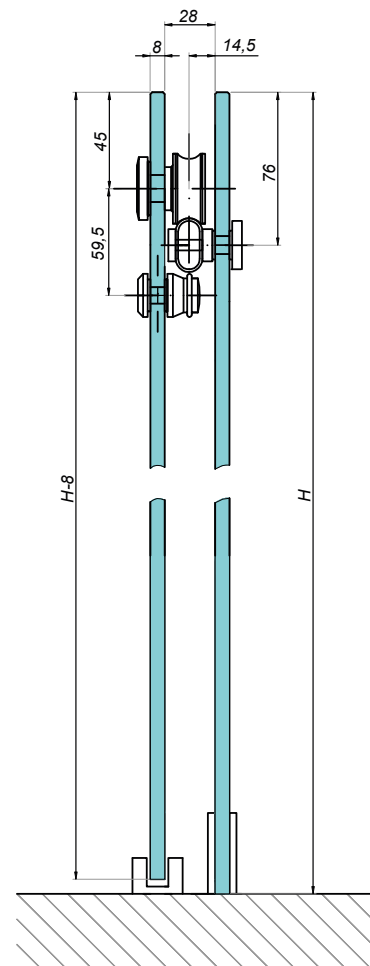
S010 system



fixed panel

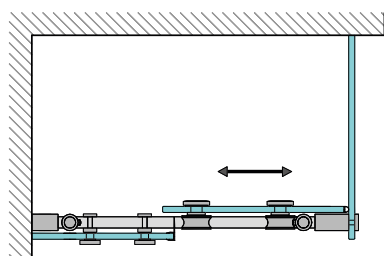


glass door



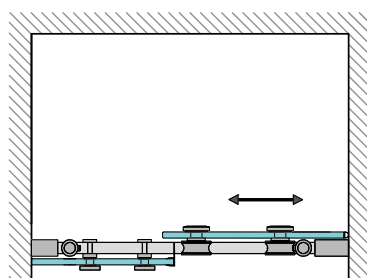
Usage example no. 1

Corner shower -
single sliding door



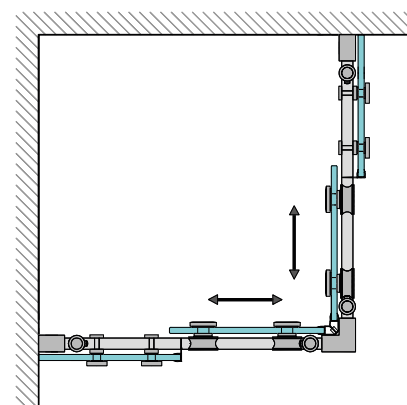
Usage example no. 2

Wall-wall shower -
single sliding door



Usage example no. 3

Corner shower -
double sliding door



*To properly design the cabin,
please contact our sales specialists.
Be careful! Different glass preparation!*