

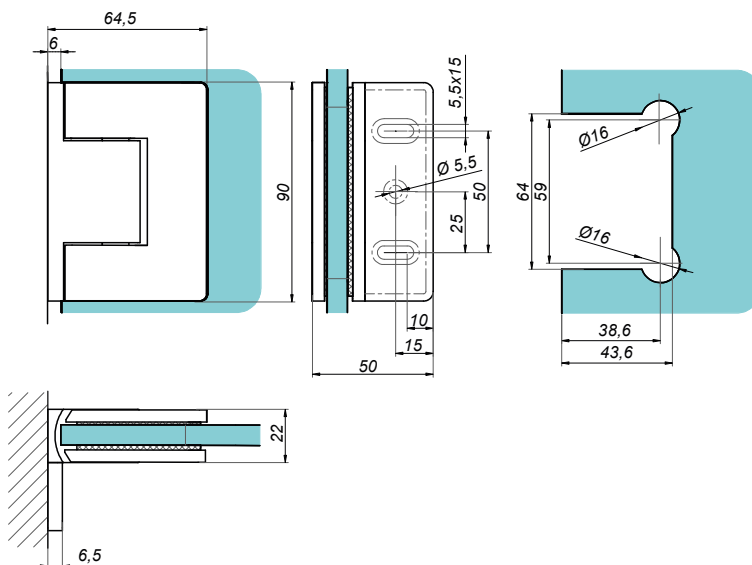
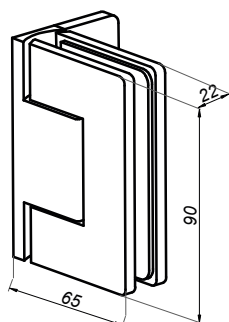
04

**HINGES**  
FOR GLASS  
SHOWERS

# Hinges for glass showers

## Swing hinge wall-glass 90° VERONA

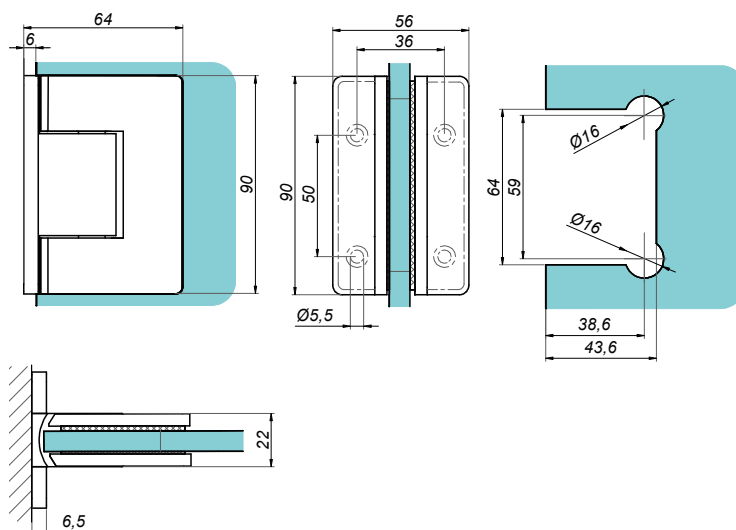
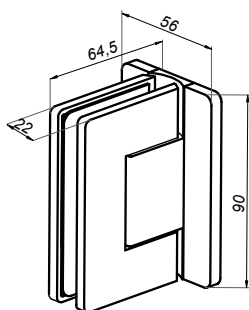
### VER-BJ-90



Product code	Finish
VER-BJ-90-PS	polish
VER-BJ-90-SS	satın
VER-BJ-90-B	black
VER-BJ-90-G	gold
Properties	
Glass thickness	8-12 mm
Maximum load on 2 hinges	45 kg
Material	brass
Adjustable closing angle	

## Swing hinge wall-glass 90° VERONA

### VER-BJ-90T

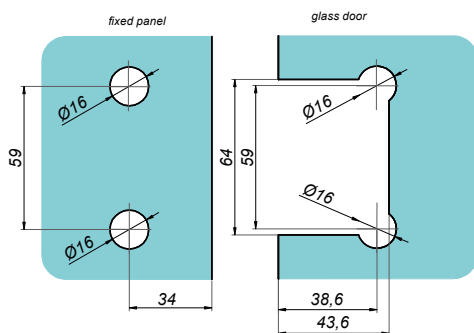
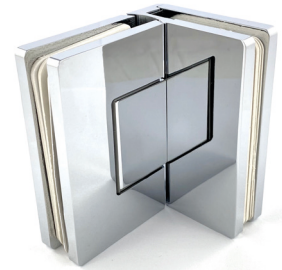
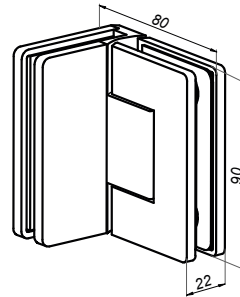
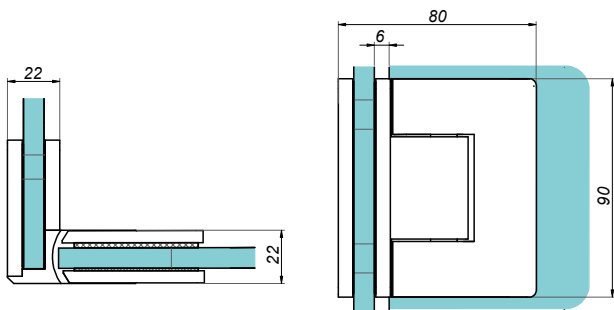


Product code	Finish
VER-BJ-90T-PS	polish
VER-BJ-90T-SS	satın
VER-BJ-90T-B	black
Properties	
Glass thickness	8-12 mm
Maximum load on 2 hinges	45 kg
Material	brass
Adjustable closing angle	

## Hinges for glass showers

### Swing hinge glass-glass 90° VERONA

#### VER-BJ-90GG



Product code	Finish
VER-BJ-90GG-PS	polish
VER-BJ-90GG-SS	satın
VER-BJ-90GG-B	black
VER-BJ-90GG-G	gold

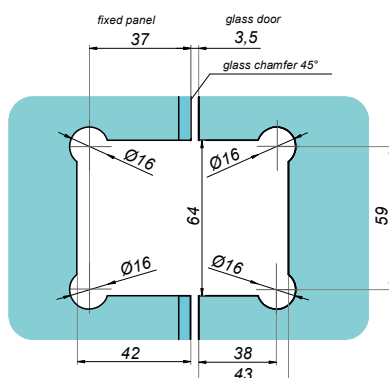
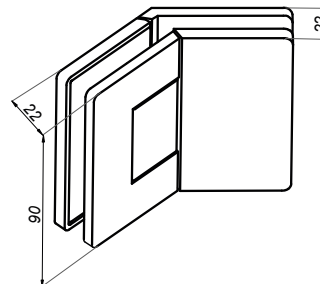
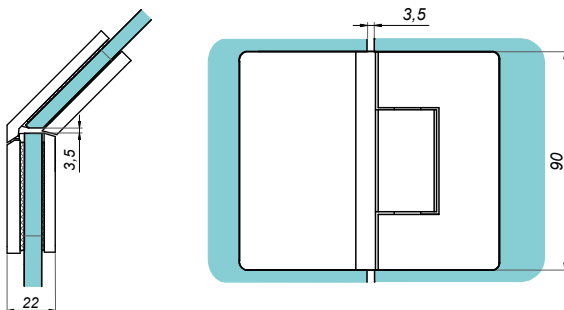
#### Properties

Glass thickness	8-12 mm
Maximum load on 2 hinges	45 kg
Material	brass

Adjustable closing angle  $\pm 10^\circ$  relative to starting position

### Swing hinge glass-glass 135° VERONA

#### VER-BJ-135



Product code	Finish
VER-BJ-135-PS	polish
VER-BJ-135-SS	satın
VER-BJ-135-B	black
VER-BJ-135-G	gold

#### Properties

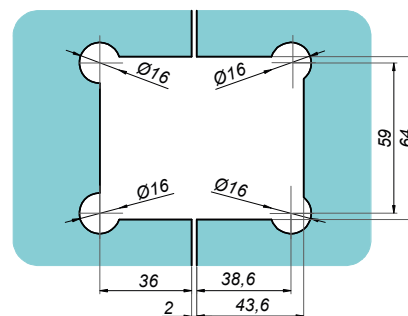
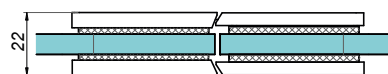
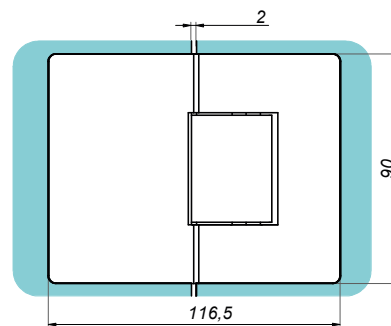
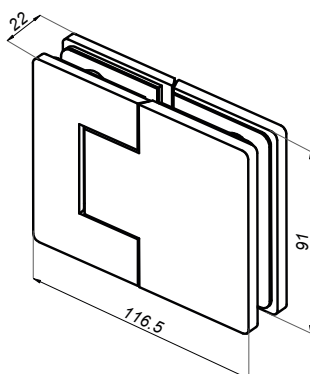
Glass thickness	8-12 mm
Maximum load on 2 hinges	45 kg
Material	brass

Adjustable closing angle  $\pm 10^\circ$  relative to starting position

## Hinges for glass showers

### Swing hinge glass-glass 180° VERONA

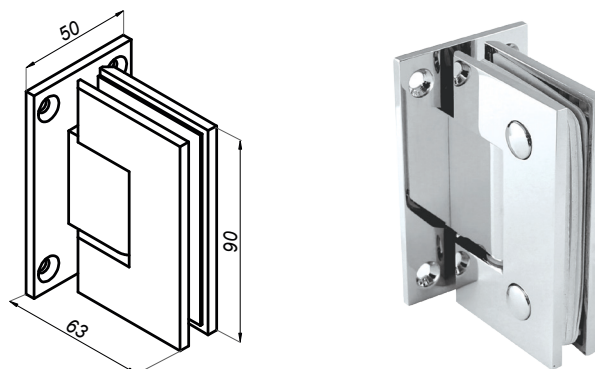
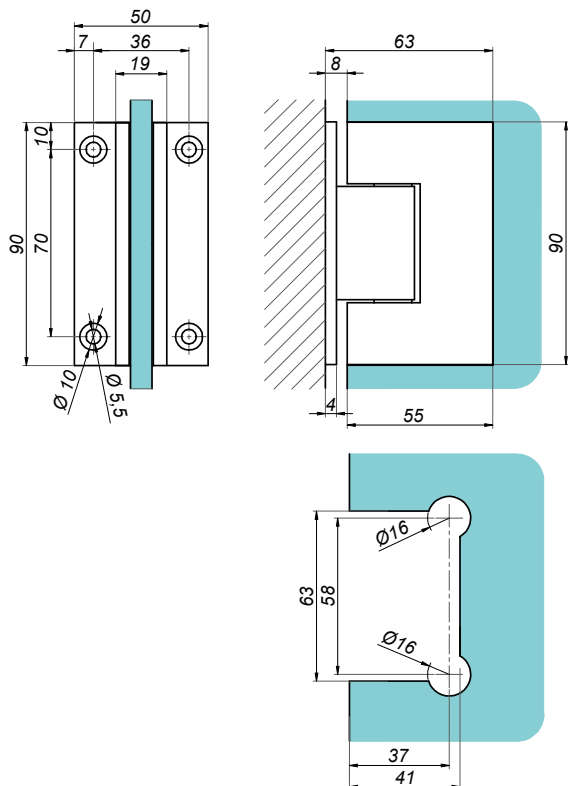
VER-BJ-180



Product code	Finish
VER-BJ-180-PS	polish
VER-BJ-180-SS	satın
VER-BJ-180-B	black
VER-BJ-180-G	gold
Properties	
Glass thickness	8-12 mm
Maximum load on 2 hinges	45 kg
Material	brass
Adjustable closing angle	

## Hinge wall-glass 90°

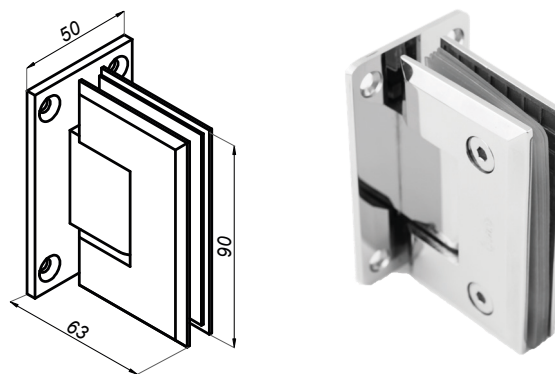
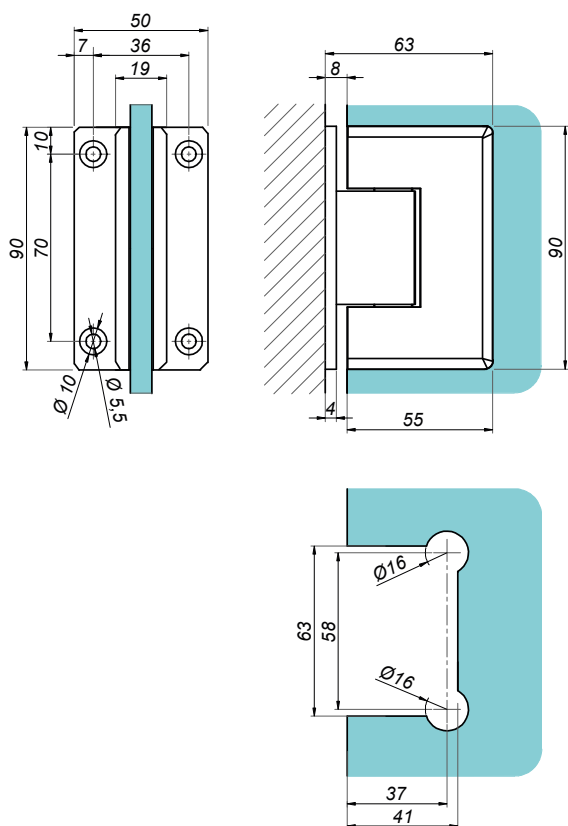
### GMT-BJ-601



Product code	Finish
BJ-601-PS	polish
BJ-601-SS	satın
Properties	
Glass thickness	8-12 mm
Maximum load for two hinges	45 kg
Material	brass
Automatic closing door angle	35°
Non asbestos seals	

## Hinge wall-glass 90°

### GMT-BJ-201

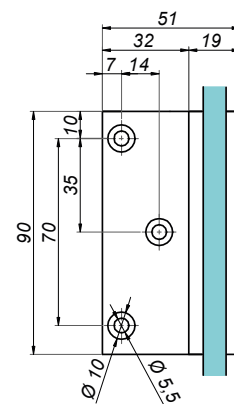
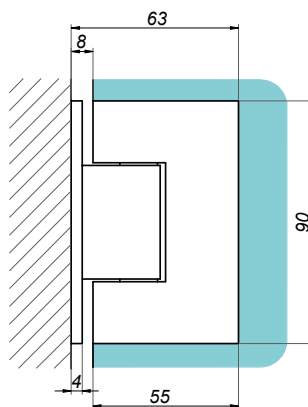
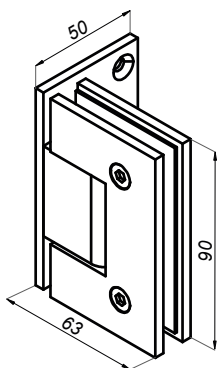


Product code	Finish
BJ-201-PS	polish
BJ-201-SS	satın
Properties	
Glass thickness	8-12 mm
Maximum load for two hinges	45 kg
Material	brass
Automatic closing door angle	35°
Non asbestos seals	

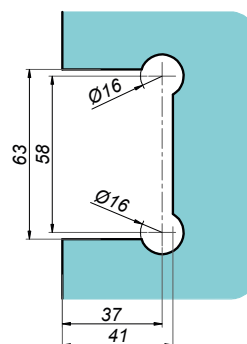
# Hinges for glass showers

## Hinge wall-glass 90°

GMT-BJ-611

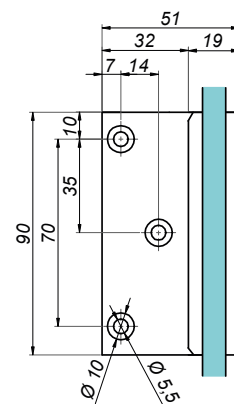
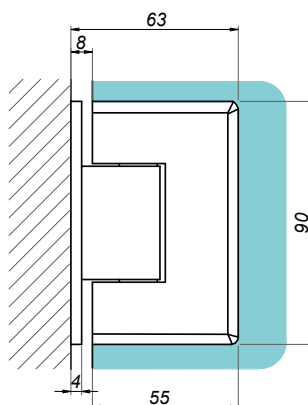
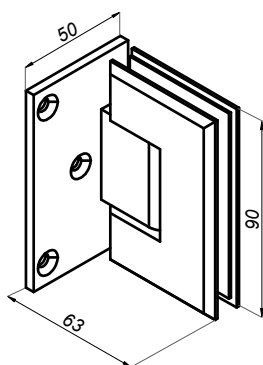


Product code	Finish
BJ-611-PS	polish
BJ-611-SS	satın
Properties	
Glass thickness	8-12 mm
Maximum load for two hinges	45 kg
Material	brass
Automatic closing door angle	35°
Non asbestos seals	

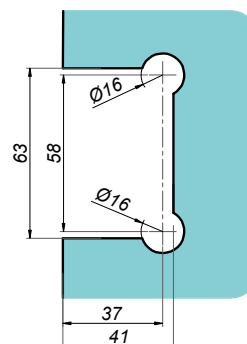


## Hinge wall-glass 90°

GMT-BJ-211



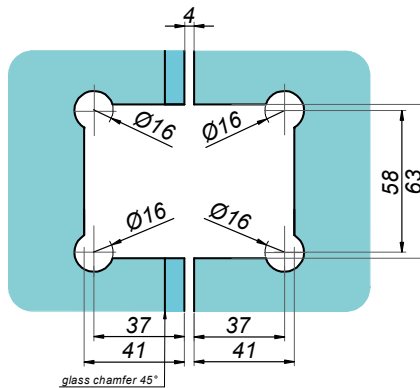
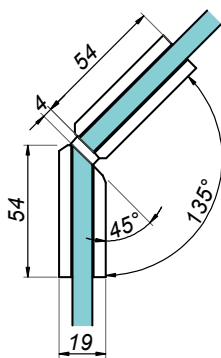
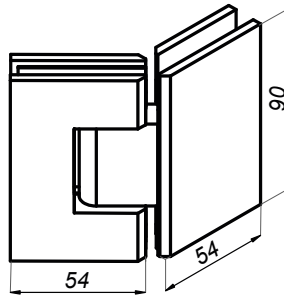
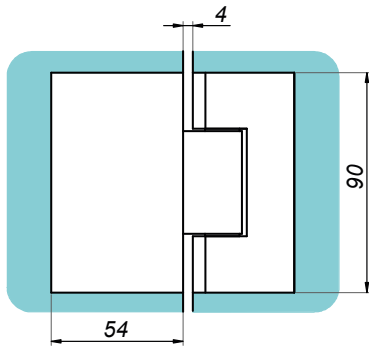
Product code	Finish
BJ-211-PS	polish
BJ-211-SS	satın
Properties	
Glass thickness	8-12 mm
Maximum load for two hinges	45 kg
Material	brass
Automatic closing door angle	35°
Non asbestos seals	



# Hinges for glass showers

## Hinge wall-glass 135°

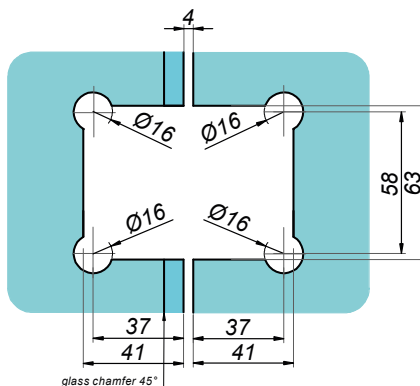
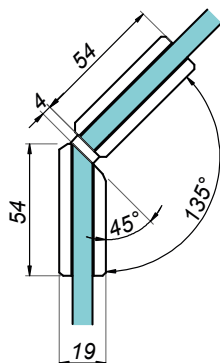
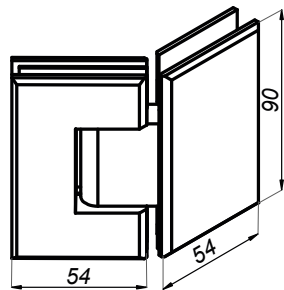
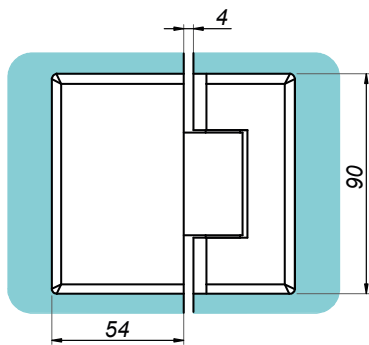
### GMT-BJ-602



Product code	Finish
BJ-602-PS	polish
BJ-602-SS	satın
Properties	
Glass thickness	8-12 mm
Maximum load for two hinges	45 kg
Material	brass
Automatic closing door angle	35°
Non asbestos seals	

## Hinge wall-glass 135°

### GMT-BJ-202

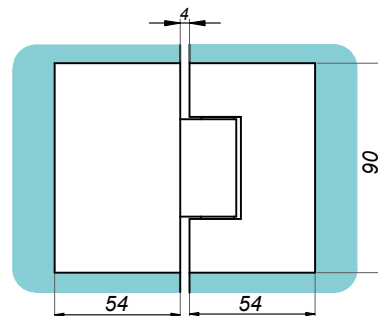
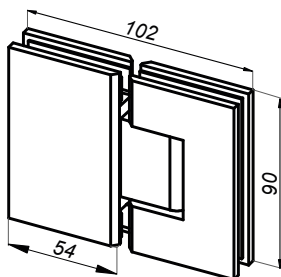


Product code	Finish
BJ-202-PS	polish
BJ-202-SS	satın
Properties	
Glass thickness	8-12 mm
Maximum load for two hinges	45 kg
Material	brass
Automatic closing door angle	35°
Non asbestos seals	

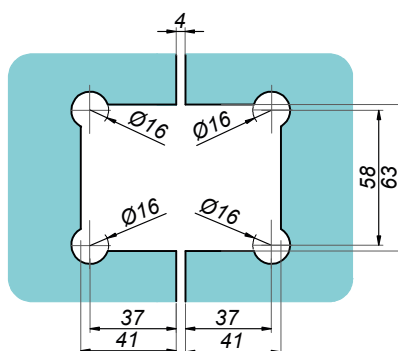
# Hinges for glass showers

## Hinge wall-glass 180°

GMT-BJ-603

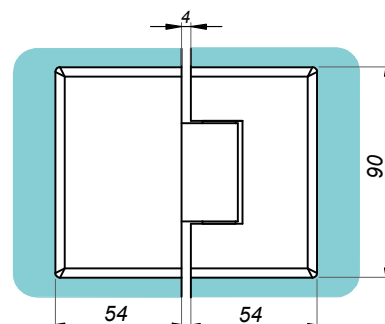
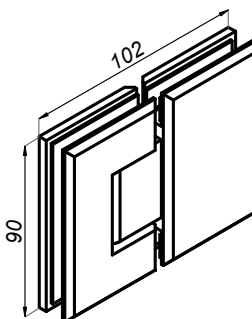


Product code	Finish
BJ-603-PS	polish
BJ-603-SS	satın
Properties	
Glass thickness	8-12 mm
Maximum load for two hinges	45 kg
Material	brass
Automatic closing door angle	35°
Non asbestos seals	

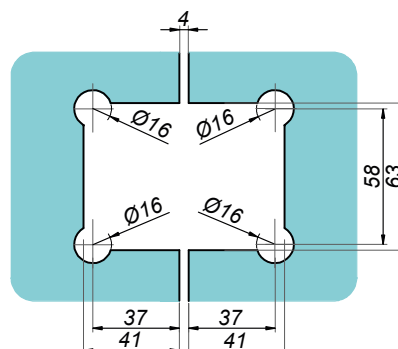


## Hinge wall-glass 180°

GMT-BJ-203



Product code	Finish
BJ-203-PS	polish
BJ-203-SS	satın
Properties	
Glass thickness	8-12 mm
Maximum load for two hinges	45 kg
Material	brass
Automatic closing door angle	35°
Non asbestos seals	

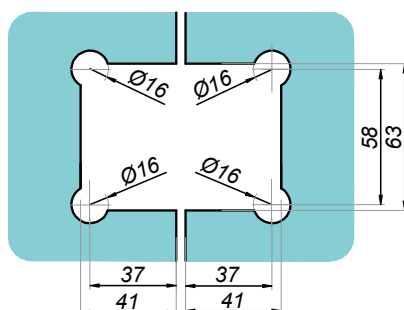
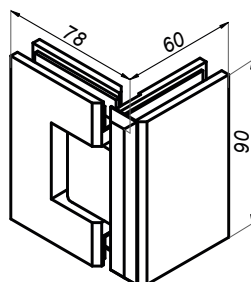
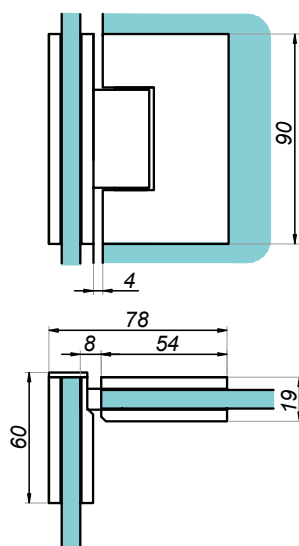




## Hinges for glass showers

### Hinge glass-glass 90°

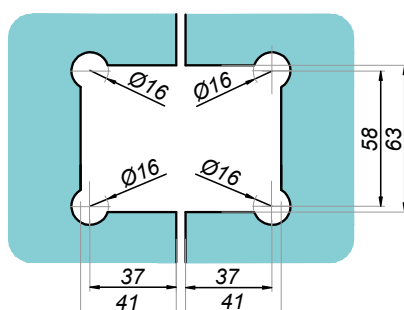
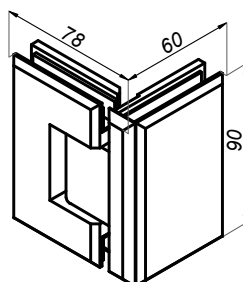
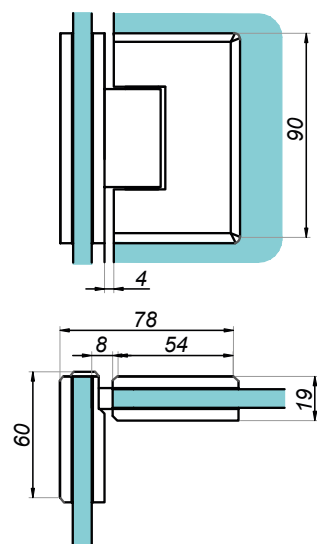
#### GMT-BJ-604



Product code	Finish
BJ-604-PS	polish
BJ-604-SS	satın
Properties	
Glass thickness	8-12 mm
Maximum load for two hinges	45 kg
Material	brass
Automatic closing door angle	35°
Non asbestos seals	

### Hinge glass-glass 90°

#### GMT-BJ-204

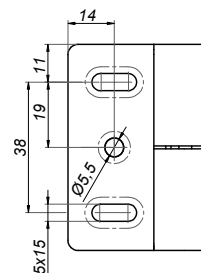
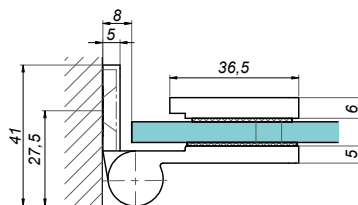
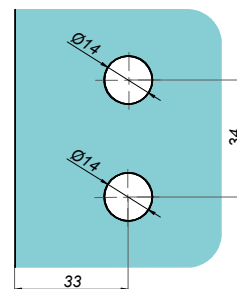
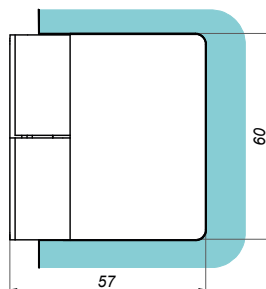
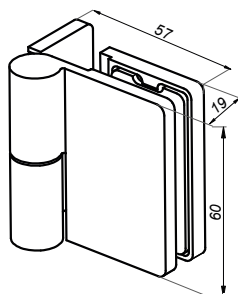


Product code	Finish
BJ-204-PS	polish
BJ-204-SS	satın
Properties	
Glass thickness	8-12 mm
Maximum load for two hinges	45 kg
Material	brass
Automatic closing door angle	35°
Non asbestos seals	

# Hinges for glass showers

## Lift hinge wall-glass 90° left VERONA SLIM

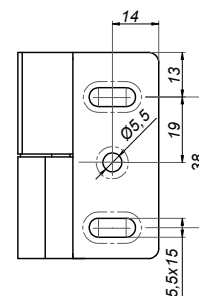
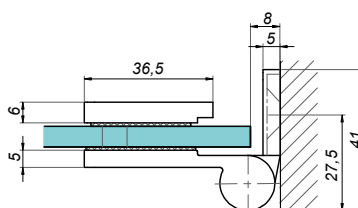
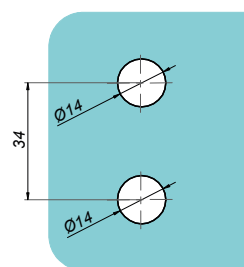
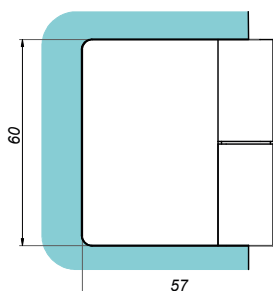
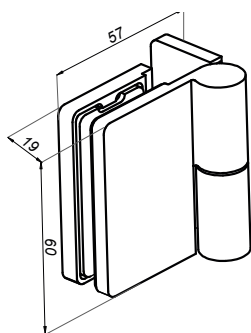
VER-SLIM-90-L



Product code	Finish
VER-SLIM-90-L-PS	polish
VER-SLIM-90-L-SS	satın
VER-SLIM-90-L-B	black
VER-SLIM-90-L-G	gold
Properties	
Glass thickness	6-10 mm
Maximum load on 2 hinges	45 kg

## Lift hinge wall-glass 90° right VERONA SLIM

VER-SLIM-90-R

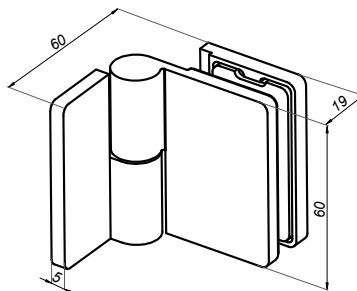
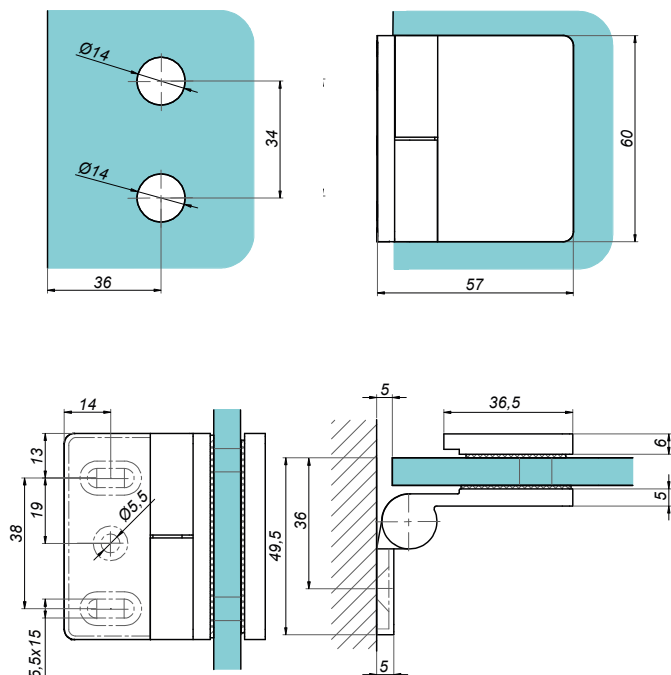


Product code	Finish
VER-SLIM-90-R-PS	polish
VER-SLIM-90-R-SS	satın
VER-SLIM-90-R-B	black
VER-SLIM-90-R-G	gold
Properties	
Glass thickness	6-10 mm
Maximum load on 2 hinges	45 kg

## Hinges for glass showers

### Lift hinge wall-glass 90° left VERONA SLIM

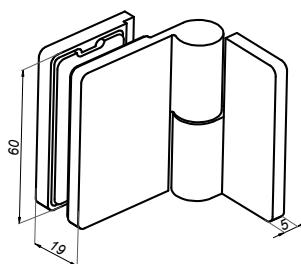
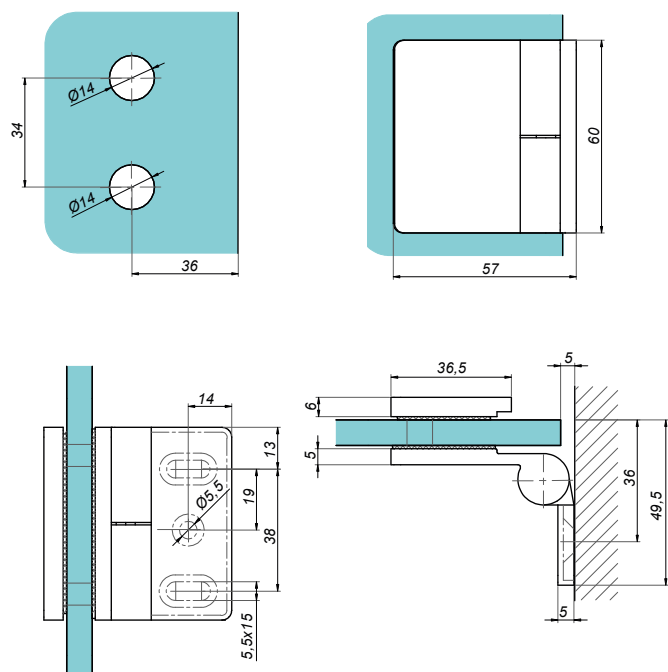
VER-SLIM-B90-L



Product code	Finish
VER-SLIM-B90-L-PS	polish
VER-SLIM-B90-L-SS	satin
VER-SLIM-B90-L-B	black
VER-SLIM-B90-L-G	gold
Properties	
Glass thickness	6-10 mm
Maximum load on 2 hinges	45 kg

### Lift hinge wall-glass 90° right VERONA SLIM

VER-SLIM-B90-R

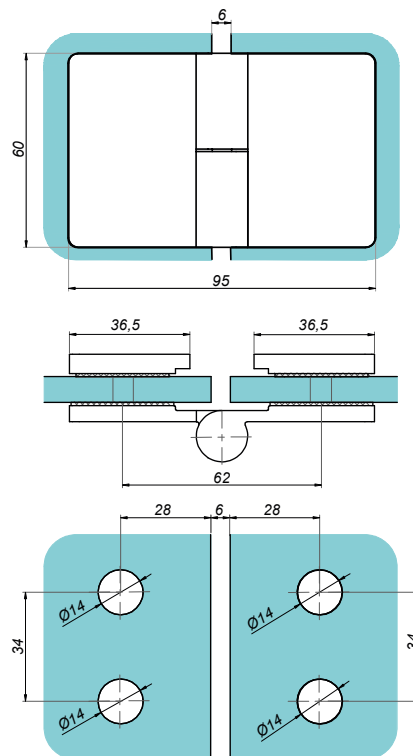
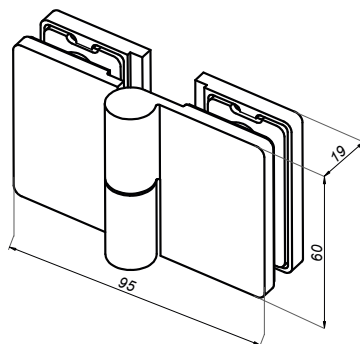


Product code	Finish
VER-SLIM-B90-R-PS	polish
VER-SLIM-B90-R-SS	satin
VER-SLIM-B90-R-B	black
VER-SLIM-B90-R-G	gold
Properties	
Glass thickness	6-10 mm
Maximum load on 2 hinges	45 kg

## Hinges for glass showers

### Lift hinge glass-glass left 180° VERONA SLIM

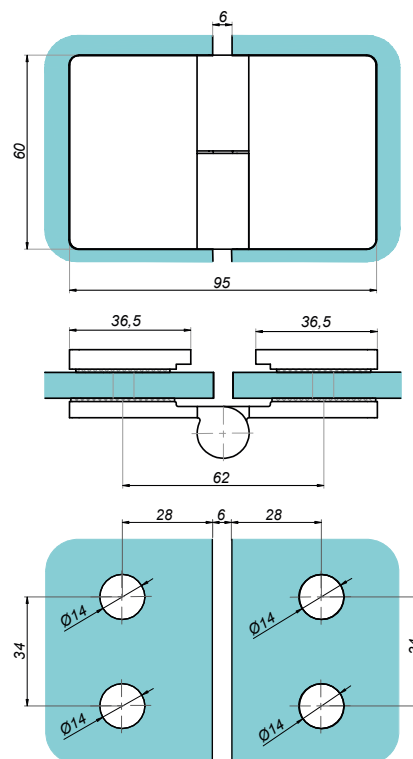
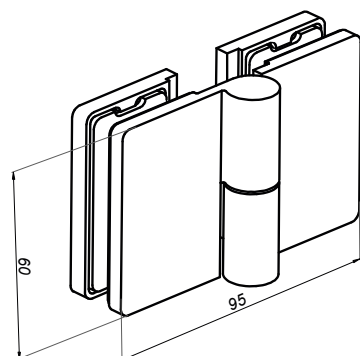
VER-SLIM-180-L



Product code	Finish
VER-SLIM-180-L-PS	polish
VER-SLIM-180-L-SS	satın
VER-SLIM-180-L-B	black
VER-SLIM-180-L-G	gold
Properties	
Glass thickness	6-10 mm
Maximum load on 2 hinges	45 kg

### Lift hinge glass-glass right 180° VERONA SLIM

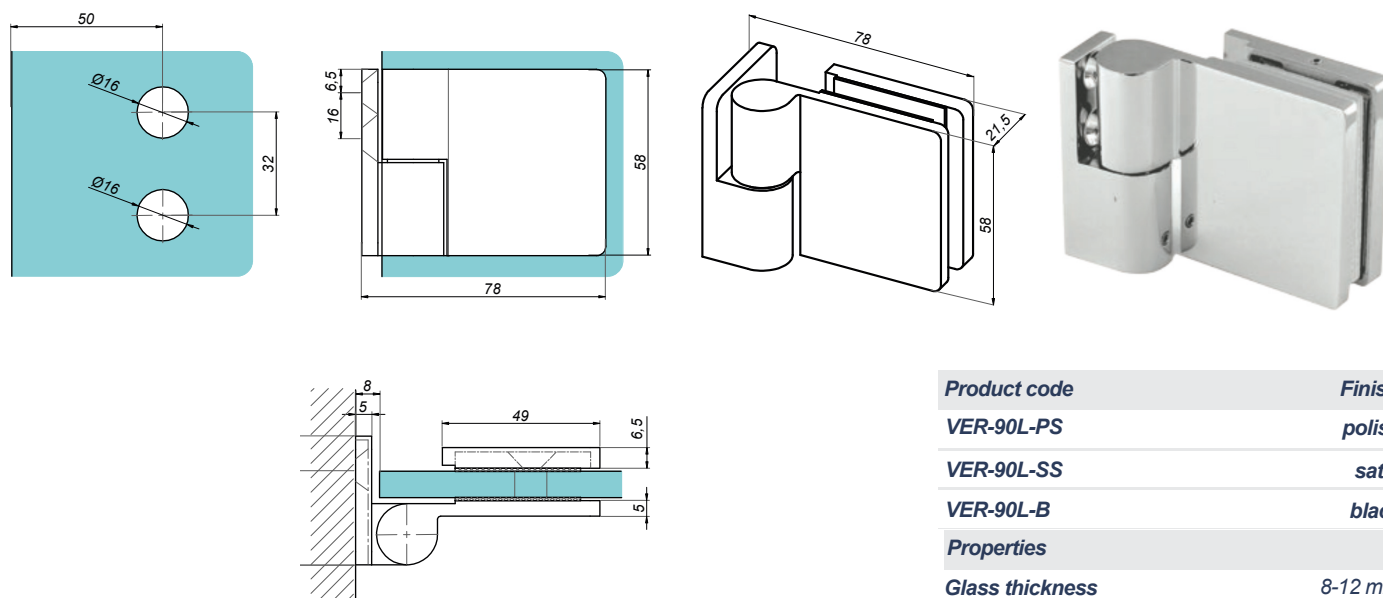
VER-SLIM-180-R



Product code	Finish
VER-SLIM-180-R-PS	polish
VER-SLIM-180-R-SS	satın
VER-SLIM-180-R-B	black
VER-SLIM-180-R-G	gold
Properties	
Glass thickness	6-10 mm
Maximum load on 2 hinges	45 kg

## Lift hinge wall-glass 90° left VERONA

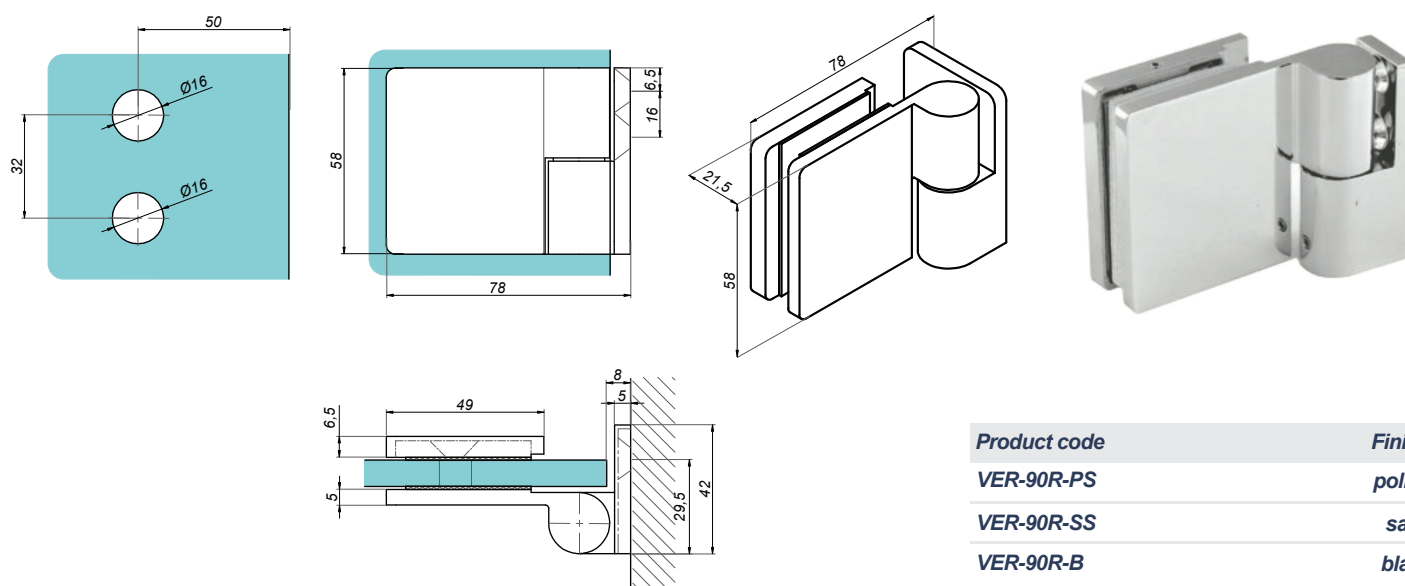
### VER-90L



Product code	Finish
VER-90L-PS	polish
VER-90L-SS	satın
VER-90L-B	black
Properties	
Glass thickness	8-12 mm
Maximum load on 2 hinges	45 kg

## Lift hinge wall-glass 90° right VERONA SLIM

### VER-90R

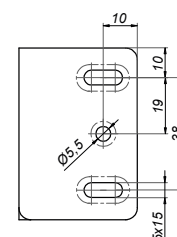
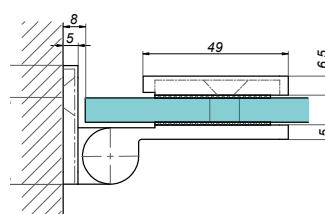
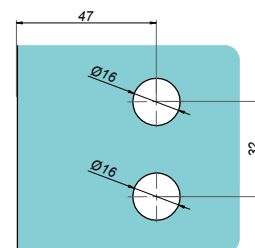
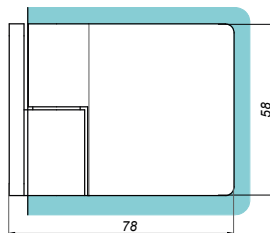
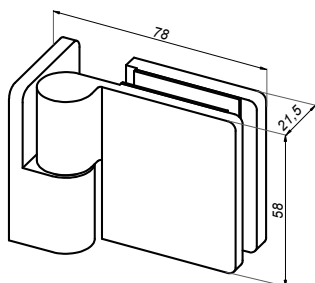


Product code	Finish
VER-90R-PS	polish
VER-90R-SS	satın
VER-90R-B	black
Properties	
Glass thickness	8-12 mm
Maximum load on 2 hinges	45 kg

# Hinges for glass showers

## Lift hinge wall-glass left VERONA

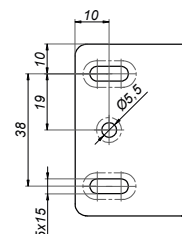
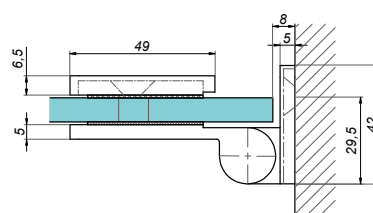
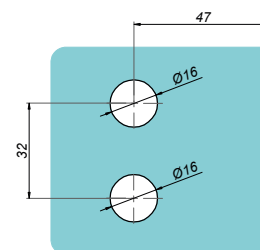
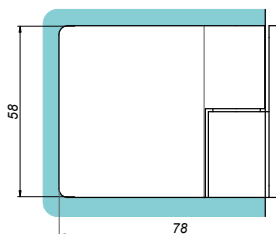
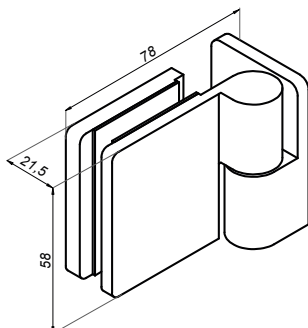
VER-A90-L



Product code	Finish
VER-A90-L-PS	polish
VER-A90-L-SS	satın
VER-A90-L-B	black
Properties	
Glass thickness	8-12 mm
Maximum load on 2 hinges	45 kg
Material	brass

## Lift hinge wall-glass left 90° VERONA

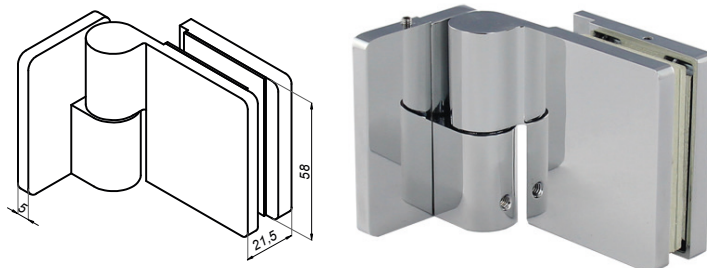
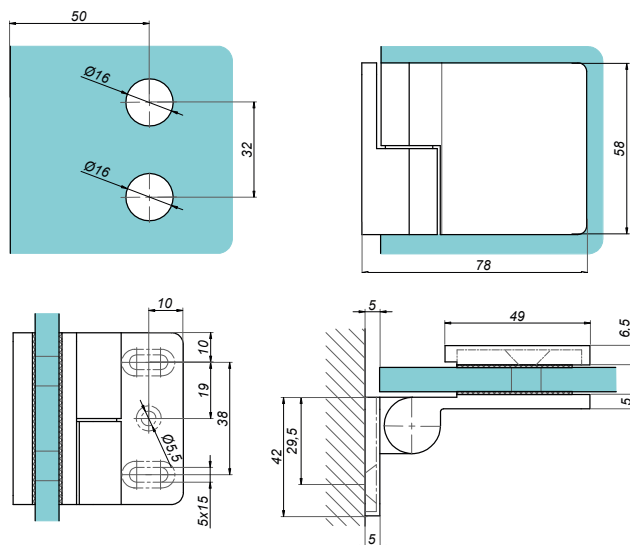
VER-A90-R



Product code	Finish
VER-A90-R-PS	polish
VER-A90-R-SS	satın
VER-A90-R-B	black
Properties	
Glass thickness	8-12 mm
Maximum load on 2 hinges	45 kg
Material	brass

## Lift hinge wall-glass left 90° VERONA

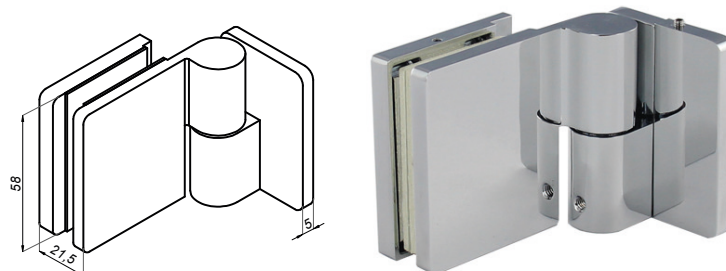
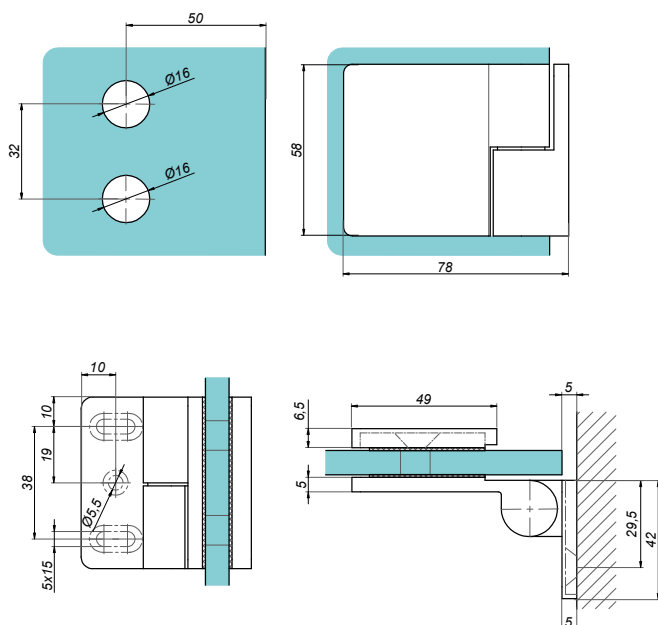
### VER-B90-L



Product code	Finish
VER-B90-L-PS	polish
VER-B90-L-SS	satın
VER-B90-L-B	black
Properties	
Glass thickness	8-12 mm
Maximum load on 2 hinges	45 kg
Material	brass

## Lift hinge wall-glass right 90° VERONA

### VER-B90-R

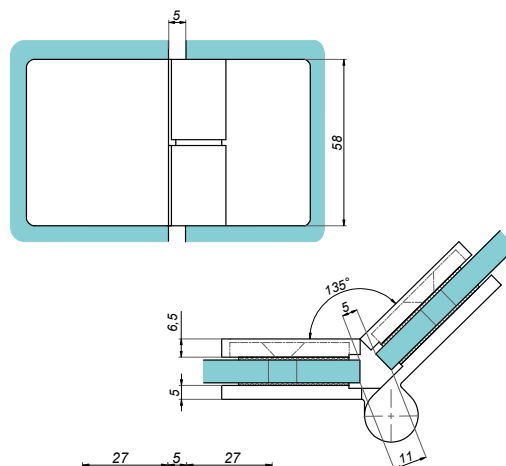
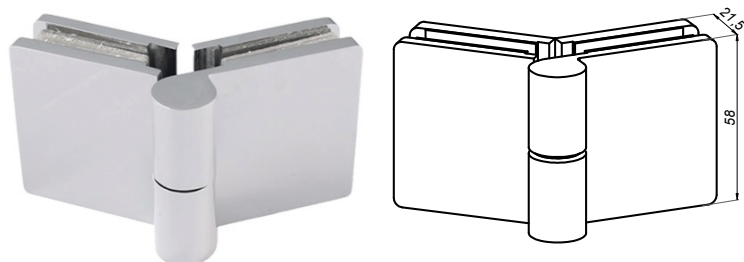


Product code	Finish
VER-B90-R-PS	polish
VER-B90-R-SS	satın
VER-B90-R-B	black
Properties	
Glass thickness	8-12 mm
Maximum load on 2 hinges	45 kg
Material	brass

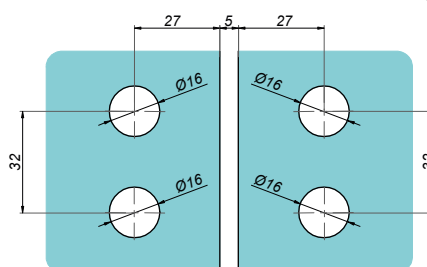
# Hinges for glass showers

## Lift hinge glass-glass left 135° VERONA

VER-135-L

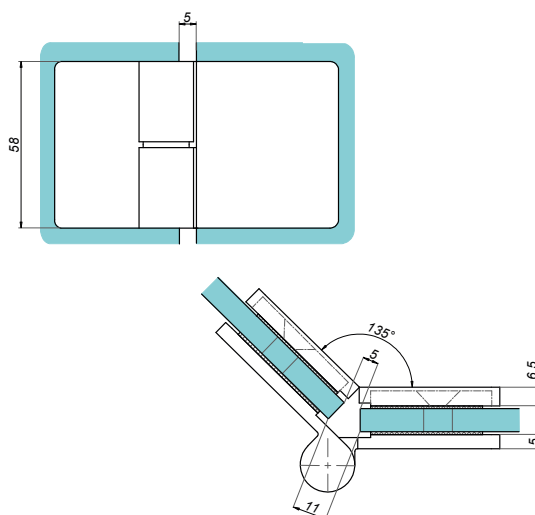
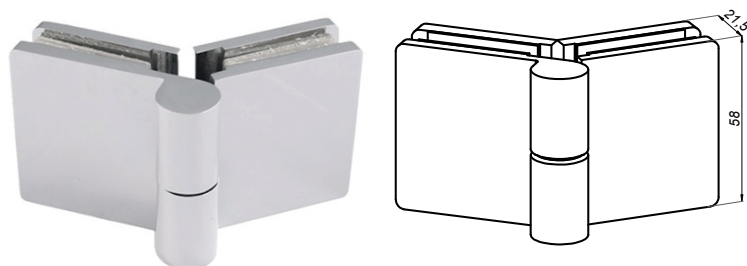


Product code	Finish
VER-135-L-PS	polish
VER-135-L-SS	satın
VER-135-L-B	black
Properties	
Glass thickness	8-12 mm
Maximum load on 2 hinges	45 kg
Material	brass

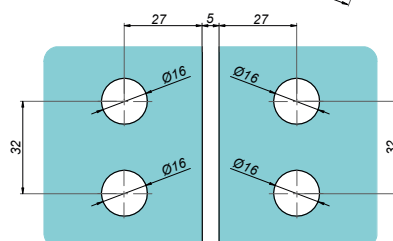


## Lift hinge glass-glass right 135° VERONA

VER-135-R



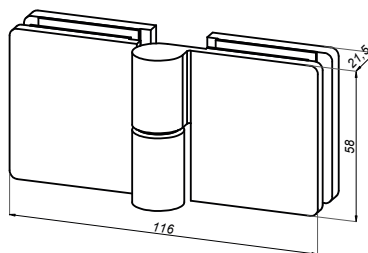
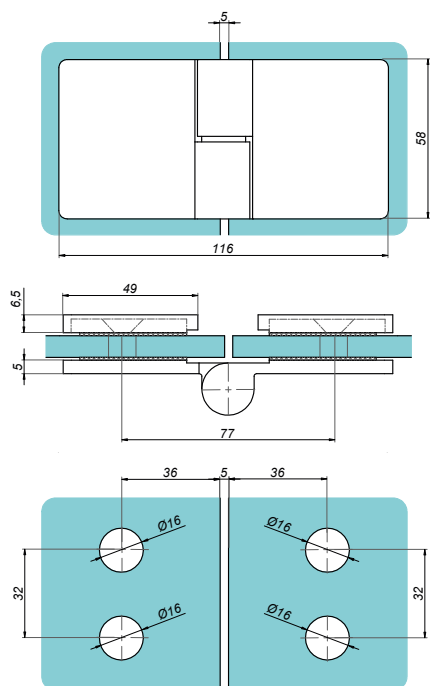
Product code	Finish
VER-135-R-PS	polish
VER-135-R-SS	satın
VER-135-R-B	black
Properties	
Glass thickness	8-12 mm
Maximum load on 2 hinges	45 kg
Material	brass





## Lift hinge glass-glass right 180° VERONA

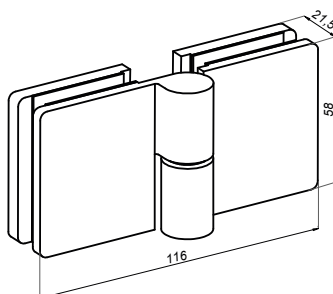
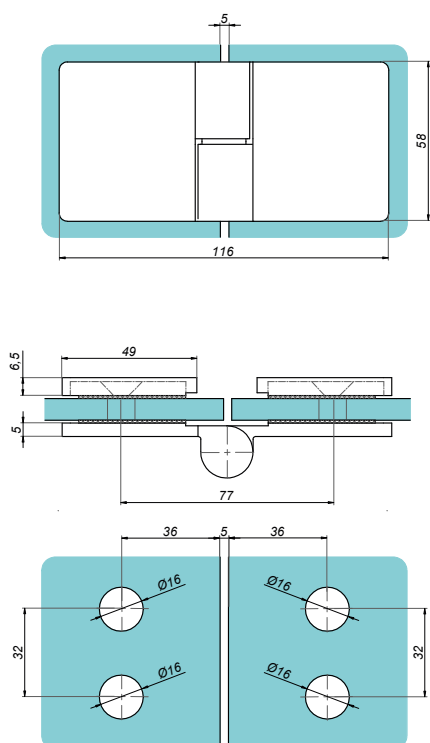
### VER-180-L



Product code	Finish
VER-180-L-PS	polish
VER-180-L-SS	satın
VER-180-L-B	black
Properties	
Glass thickness	8-12 mm
Maximum load on 2 hinges	45 kg
Material	brass

## Lift hinge glass-glass right 180° VERONA

### VER-180-R

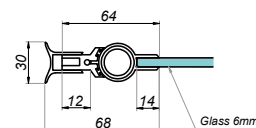
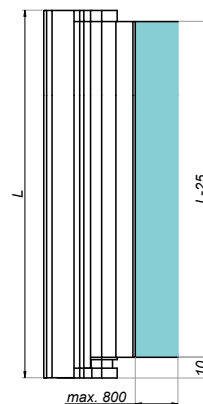
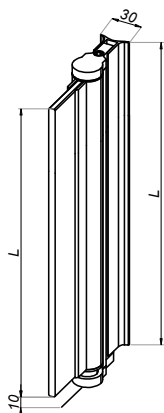


Product code	Finish
VER-180-R-PS	polish
VER-180-R-SS	satın
VER-180-R-B	black
Properties	
Glass thickness	8-12 mm
Maximum load on 2 hinges	45 kg
Material	brass

# Hinges for glass showers

## Screen hinge glass-glass

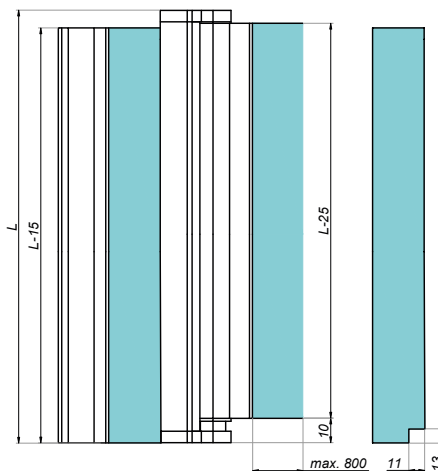
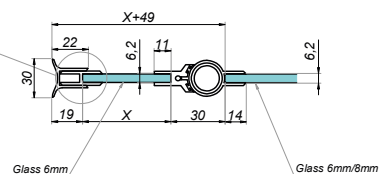
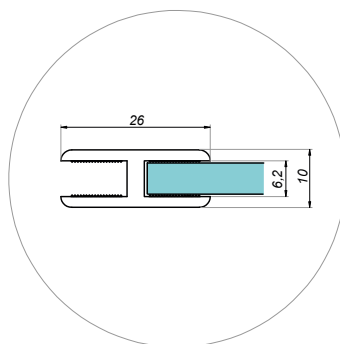
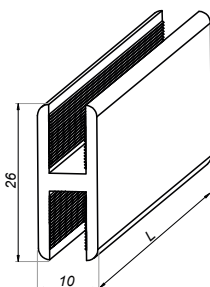
### NLO-KP-S012



Product code	Glass thickness	Hinge length	Finish
NLO-KP-S012-1,45-6	6 mm	1450 mm	polish
NLO-KP-S012-1,9-6	6 mm	1900 mm	polish
NLO-KP-S012-2,1-6	6 mm	2100 mm	polish
NLO-KP-S012-1,9-8	8 mm	1900 mm	polish
<b>Properties</b>			
Material	aluminium		
Maximum load	35 kg		

## „H” Profile to S012 screen hinge

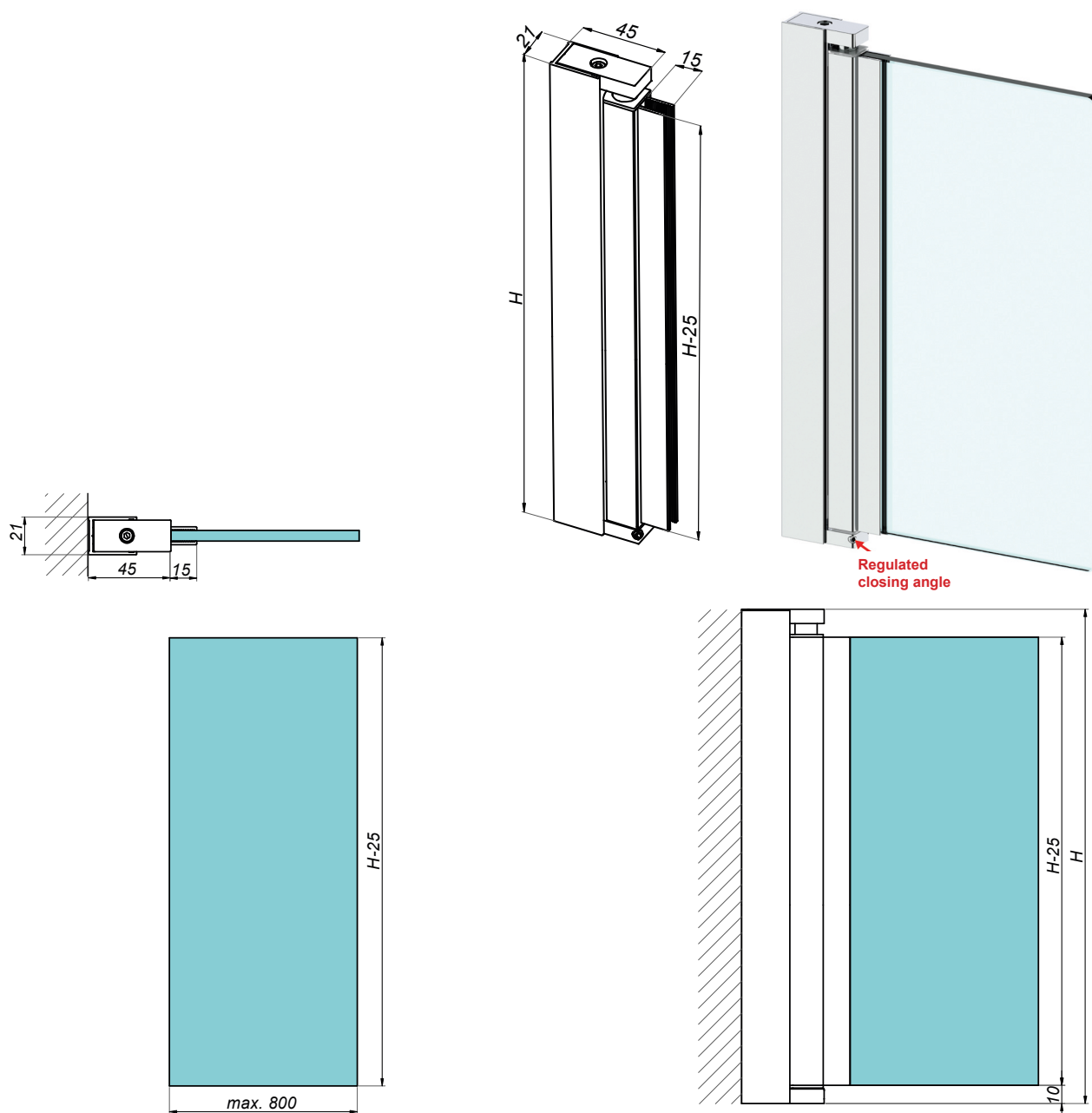
### NLO-KP-S012-H



Product code	Glass thickness	Hinge length	Finish
NLO-KP-S012-1,9-6-H	6 mm	1900 mm	polish
NLO-KP-S012-2,1-8-H	8 mm	2100 mm	polish
<b>Properties</b>			
Material	aluminium		
Maximum load	35 kg		

## Screen hinge wall-glass

NLO-KP-S012P

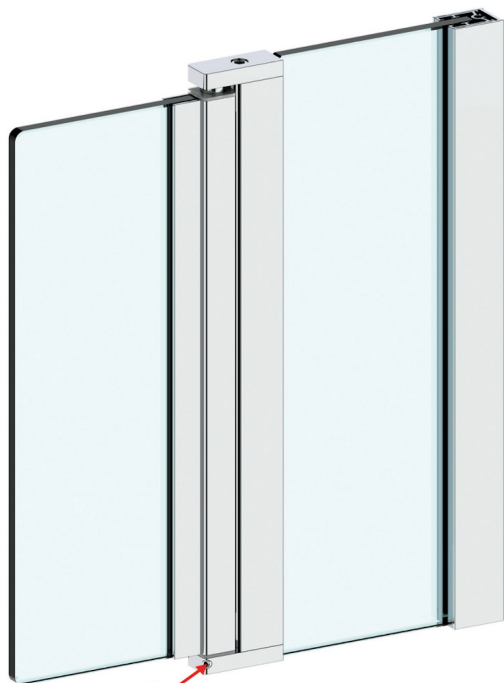


Product code	Glass thickness	Hinge length	Finish
NLO-KP-S012P-1,45-6-PS	6 mm	1450 mm	polish
NLO-KP-S012P-1,9-6-PS	6 mm	1900 mm	polish
NLO-KP-S012P-2,1-6-PS	6 mm	2100 mm	polish
NLO-KP-S012P-2,1-6-B	6 mm	2100 mm	black
NLO-KP-S012P-1,9-8-PS	8 mm	1900 mm	polish
<b>Properties</b>			
Material	aluminum		
Maximum load	35 kg		
Working range	180°		

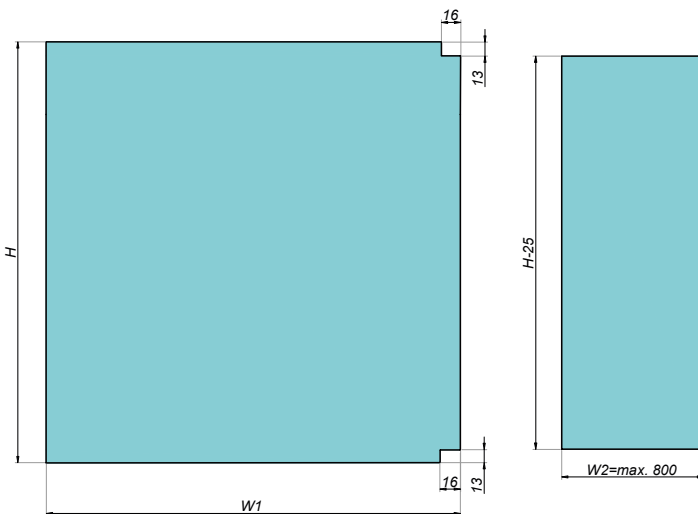
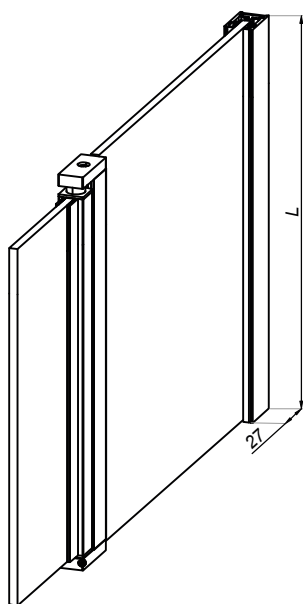
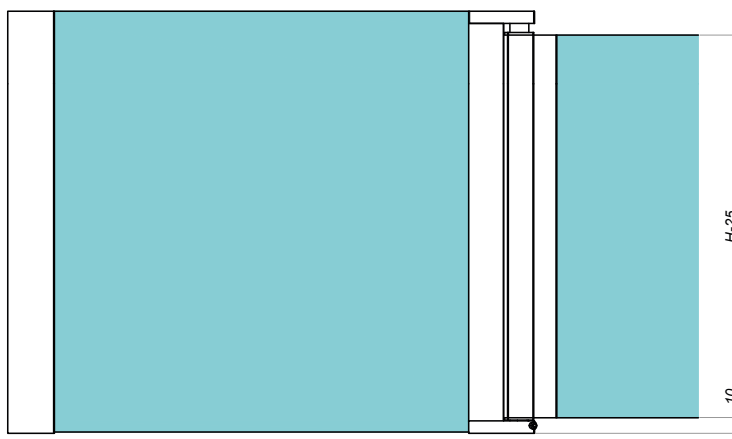
# Hinges for glass showers

## Screen hinge glass-glass

NLO-KP-S012P-GG



Regulated closing angle



Product code	Glass thickness	Hinge length	Finish
NLO-KP-S012-2,1-6-GG-PS	6 mm	2100 mm	polish
Properties			
Material	aluminium		
Maximum load	35 kg		
Working range	180°		