



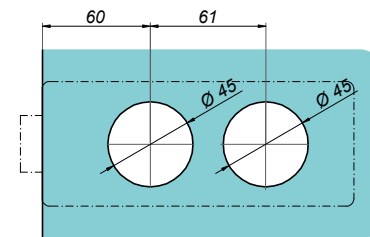
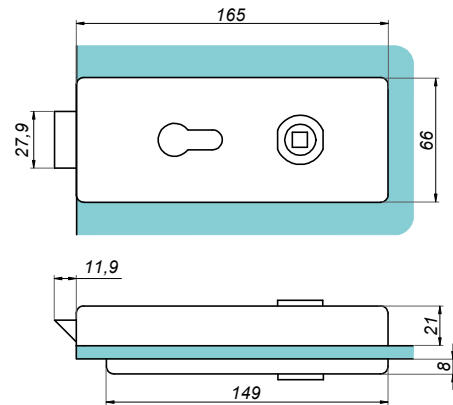
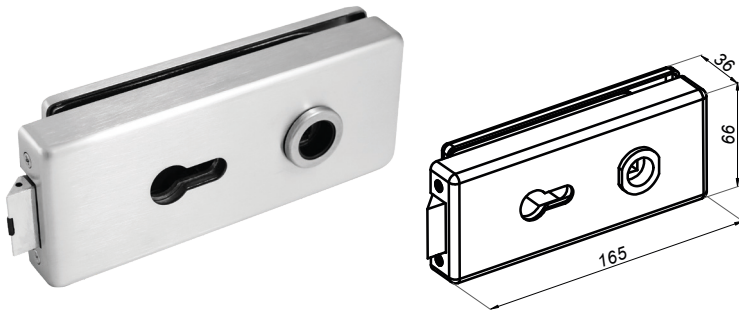
12

**LOCKS AND
HINGES** FOR
GLASS DOORS

Locks and hinges for glass doors

Lock with a hole for door handle and insert

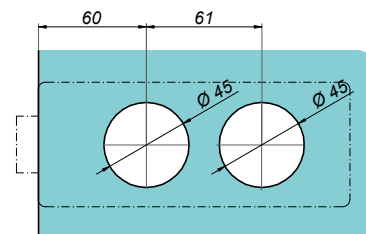
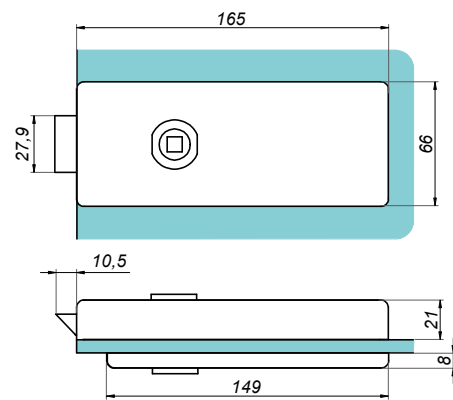
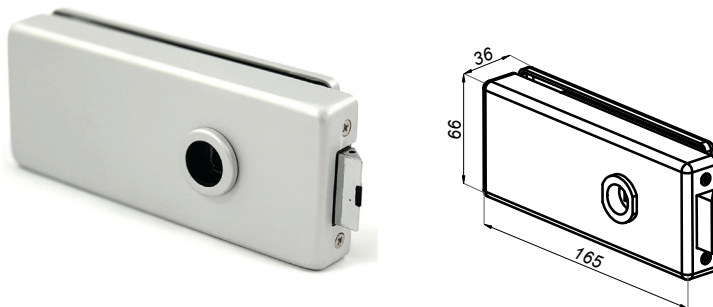
NT501



Product code	Finish
NT501-SS	satin
NT501-NA	silver anodised
NT501-B	black anodised
Properties	
Glass thickness	8-12 mm
Material	stainless steel/aluminium

Lock with a hole for door handle

NT501-WL

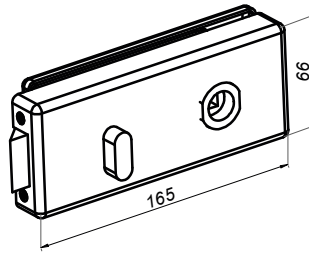
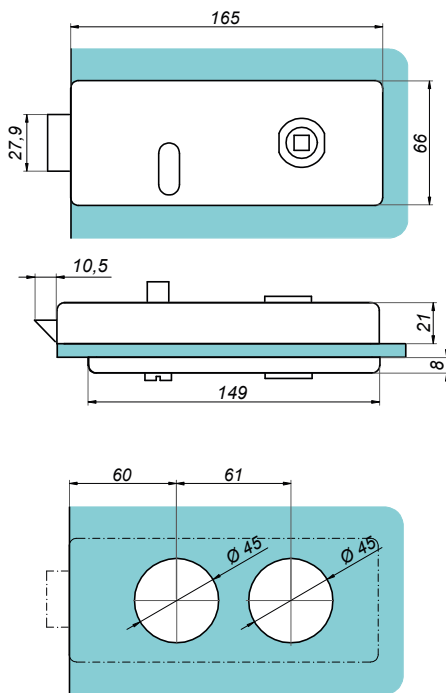


Product code	Finish
NT501-WL-SS	satin
NT501-WL-NA	silver anodised
NT501-WL-B	black anodised
Properties	
Glass thickness	8-12 mm
Material	stainless steel

Locks and hinges for glass doors

Bathroom lock

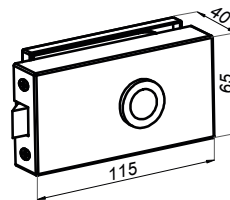
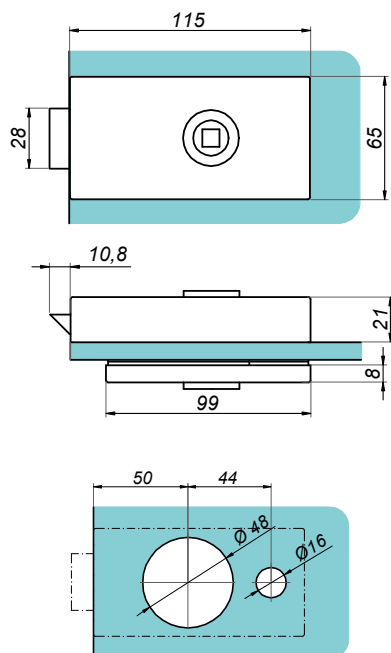
NT501-WC



Product code	Finish
NT501-WC-SS	satın
NT501-WC-NA	silver anodised
NT501-WC-B	black anodised
Properties	
Material	stainless steel
Glass thickness	8-12 mm

Small economy lock

NT801

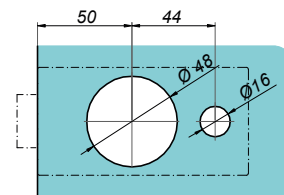
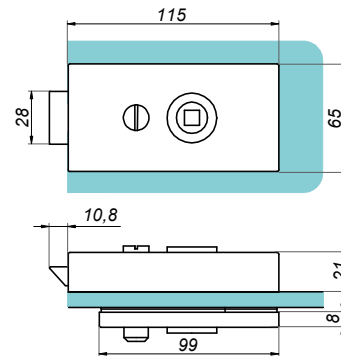
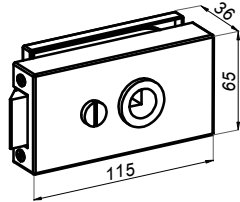


Product code	Finish
NT801-SS	satın
NT801-NA	silver anodised
NT801-B	black anodised
Properties	
Material	stainless steel
Glass thickness	8-12 mm

Locks and hinges for glass doors

Small bathroom lock

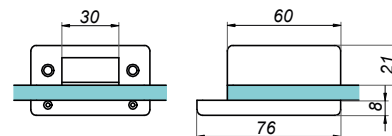
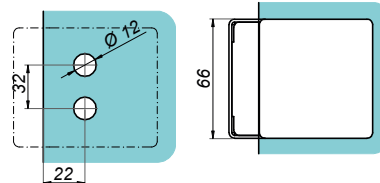
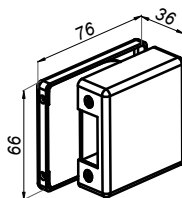
NT801-WC



Product code	Finish
NT801-WC-SS	satın
NT801-WC-NA	silver anodised
NT801-WC-B	black anodised
Properties	
Material	stainless steel
Glass thickness	8-12 mm

Strike patch

NTP01

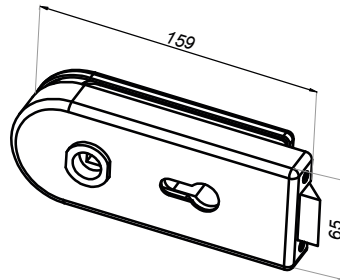
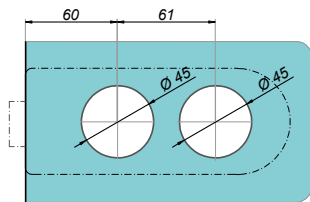
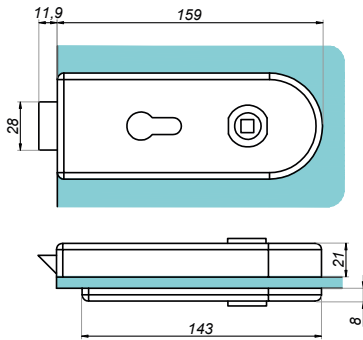


Product code	Finish
NTP01-SS	satın
NTP01-NA	silver anodised
NTP01-B	black anodised
Properties	
Material	stainless steel
Glass thickness	8-12 mm

Locks and hinges for glass doors

Lock with a hole for door handle and insert

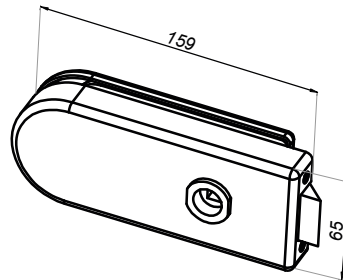
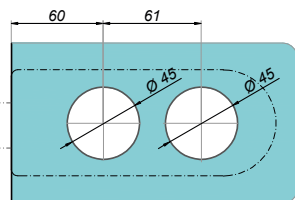
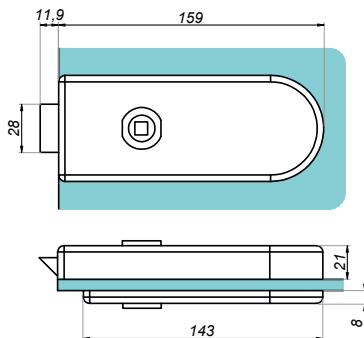
NT502



Product code	Finish
NT502-SS	satın
NT502-NA	silver anodised
Properties	
Material	stainless steel
Glass thickness	8-12 mm

Lock with a hole for door handle

NT502-WL

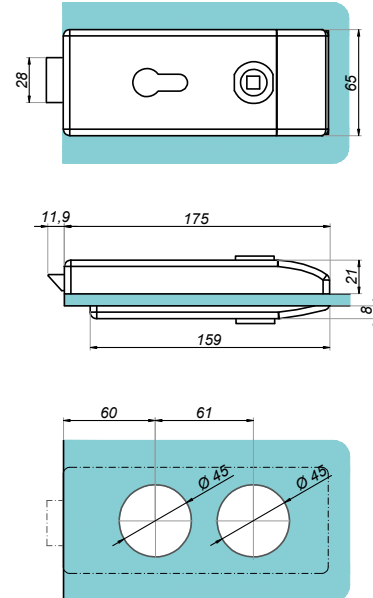
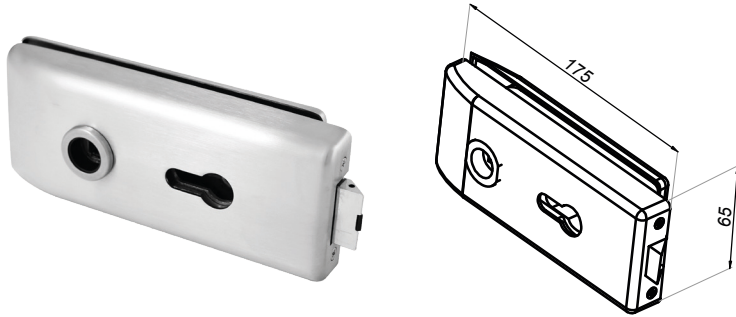


Product code	Finish
NT502-WL-SS	satın
NT502-WL-NA	silver anodised
Properties	
Material	stainless steel
Glass thickness	8-12 mm

Locks and hinges for glass doors

Lock with a hole for door handle and insert

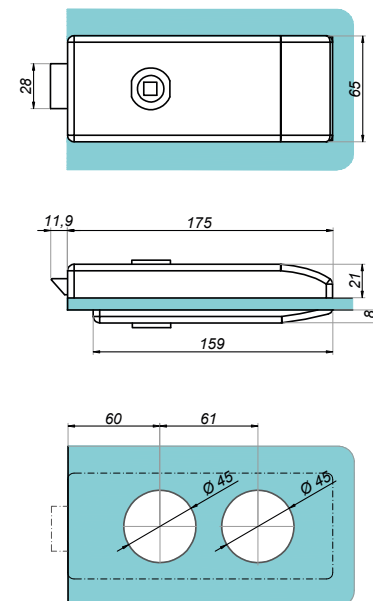
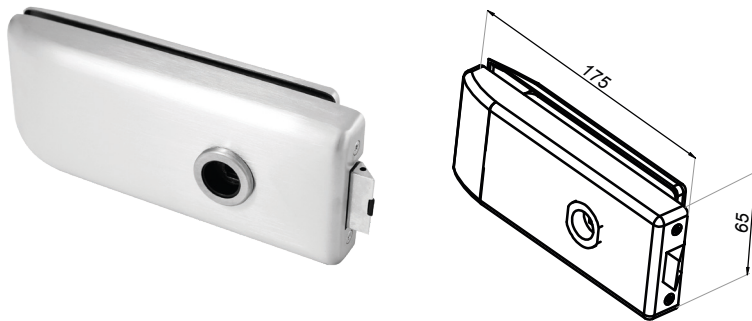
NT503



Product code	Finish
NT503-SS	satín
Properties	
Material	stainless steel
Glass thickness	8-12 mm

Lock with a hole for door handle

NT503-WL

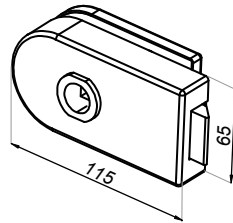
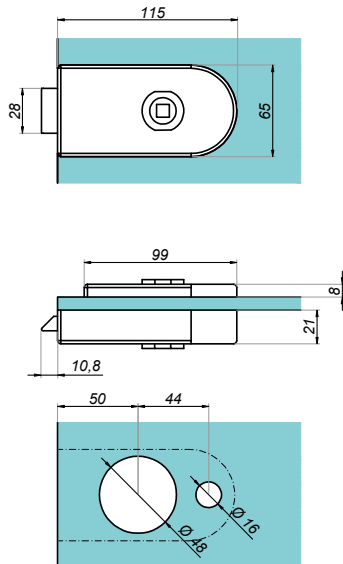


Product code	Finish
NT503-WL-SS	satín
Properties	
Material	stainless steel
Glass thickness	8-12 mm

Locks and hinges for glass doors

Lock with a hole for door handle

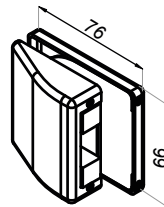
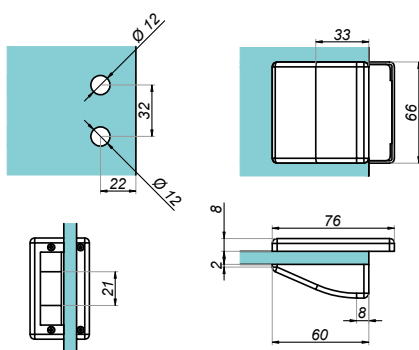
NT802



Product code	Finish
NT802-SS	satın
Properties	
Material	stainless steel
Glass thickness	8-12 mm

Strike patch

NTP04

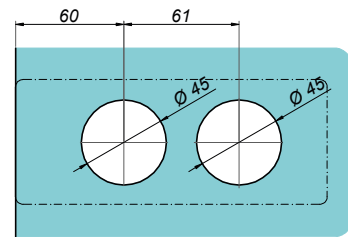
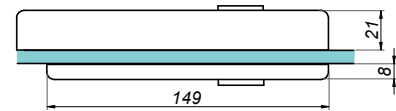
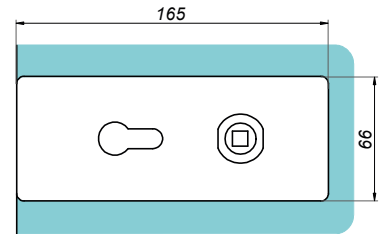
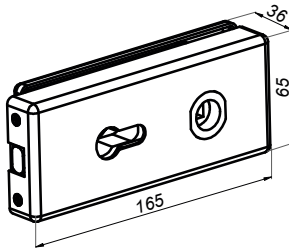


Product code	Finish
NTP04-SS	satın
Properties	
Material	stainless steel
Glass thickness	8-12 mm

Locks and hinges for glass doors

Magnetic lock with a hole for door handle and insert

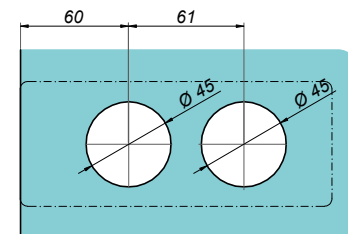
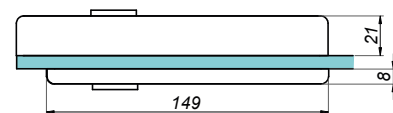
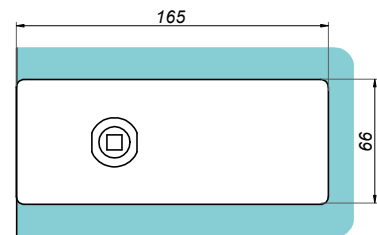
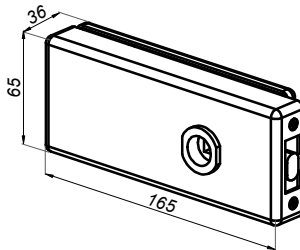
NT501M



Product code	Finish
NT501M-SS	satin
NT501M-NA	silver anodised
NT501M-B	black anodised
NT501M-PS	polish
Properties	
Material	stainless steel
Glass thickness	8-12 mm

Magnetic economy lock

NT501M-WL

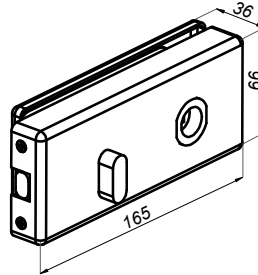
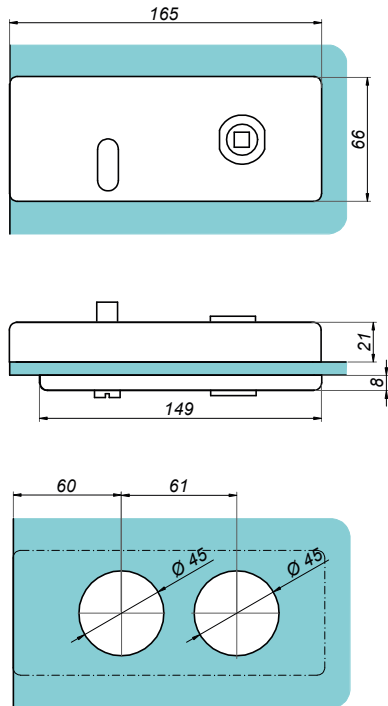


Product code	Finish
NT501M-WL-SS	satin
NT501M-WL-NA	silver anodised
NT501M-WL-B	black anodised
Properties	
Material	stainless steel
Glass thickness	8-12 mm

Locks and hinges for glass doors

Magnetic bathroom lock

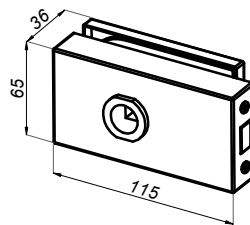
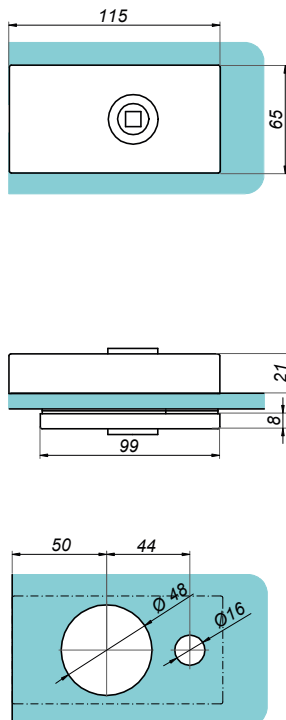
NT501M-WC



Product code	Finish
NT501M-WC-SS	satın
NT501M-WC-NA	silver anodised
NT501M-WC-B	black anodised
Properties	
Material	stainless steel
Glass thickness	8-12 mm

Small magnetic lock

NT801M

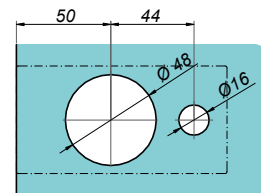
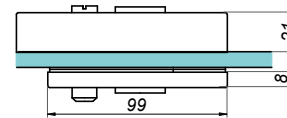
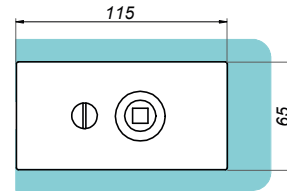
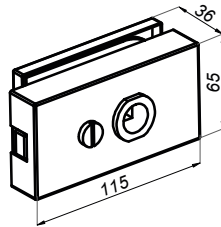


Product code	Finish
NT801M-SS	satın
NT801M-NA	silver anodised
NT801M-B	black anodised
Properties	
Material	stainless steel
Glass thickness	8-12 mm

Locks and hinges for glass doors

Small magnetic bathroom lock

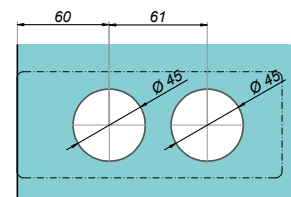
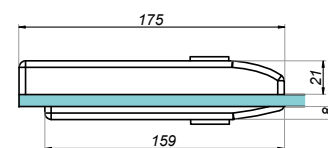
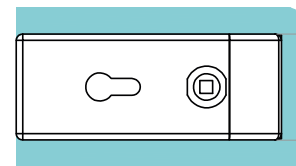
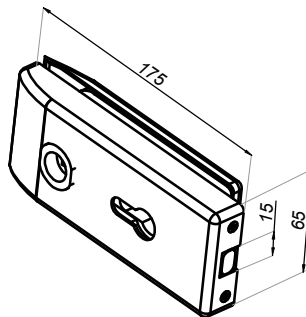
NT801M-WC



Product code	Finish
NT801M-WC-SS	satın
NT801M-WC-NA	silver anodised
NT801M-WC-B	black anodised
NT801M-WC-PS	polish
Properties	
Material	stainless steel
Glass thickness	8-12 mm

Magnetic lock with a hole for door handle and insert

NT503M

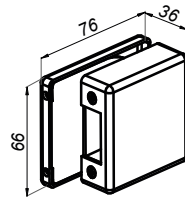
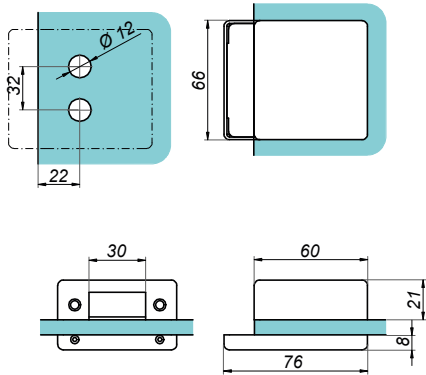


Product code	Finish
NT503M-SS	satın
NT503M-NA	silver anodised
Properties	
Material	stainless steel
Glass thickness	8-12 mm

Locks and hinges for glass doors

Strike patch

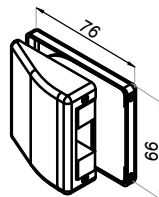
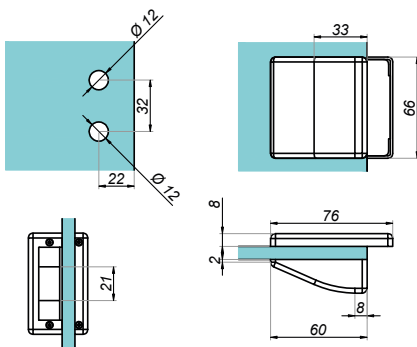
NTP01M



Product code	Finish
NTP01M-SS	satın
NTP01M-NA	silver anodised
NTP01M-B	black anodised
Properties	
Material	stainless steel
Glass thickness	8-12 mm

Strike patch

NTP04M

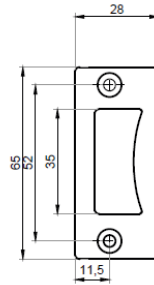


Product code	Finish
NTP04M-SS	satın
Properties	
Material	stainless steel
Glass thickness	8-12 mm

Locks and hinges for glass doors

Strike plate for standard lock

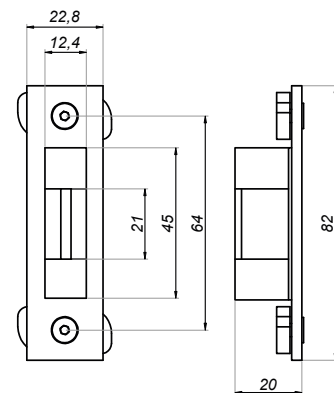
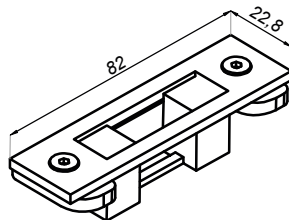
OFC-02



Product code	Finish
OFC-02-SS	satin
OFC-02-B	black anodised
Properties	
Material	stainless steel
Glass thickness	8-12 mm

Strike plate for magnetic lock

OFC-00-M

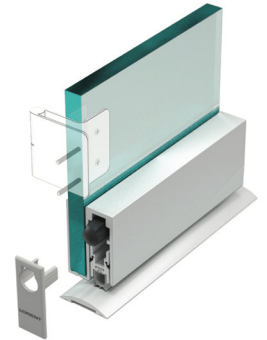
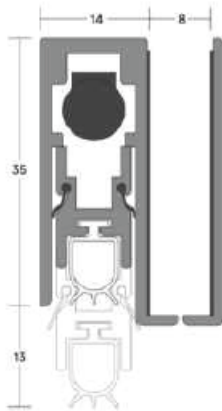


Product code	Finish
OFC-00-M-SS	satin
OFC-00-M-NA	silver anodised
OFC-00-M-B	black anodised
Properties	
Material	stainless steel
Glass thickness	8-12 mm

Locks and hinges for glass doors

Door strip with drop seal - left

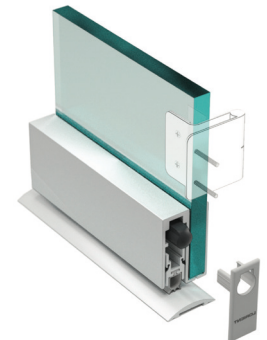
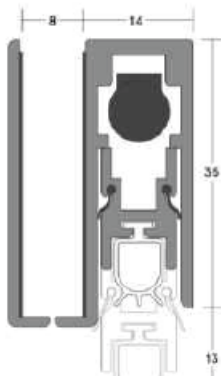
OFC-DS-L



Product code	L	Finish
OFC-DS-L-935-NA	935 mm	silver anodised
OFC-DS-L-935-SS	935 mm	satın
OFC-DS-L-1035-NA	1035 mm	silver anodised
OFC-DS-L-1035-SS	1035 mm	satın
Properties		
Material		aluminium
Glass thickness		8-12 mm

Door strip with drop seal - right

OFC-DS-R

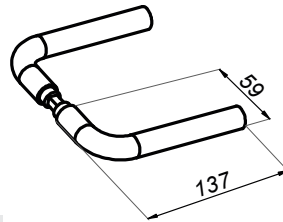


Product code	L	Finish
OFC-DS-R-935-NA	935 mm	silver anodised
OFC-DS-R-935-SS	935 mm	satın
OFC-DS-R-1035-NA	1035 mm	silver anodised
OFC-DS-R-1035-SS	1035 mm	satın
Properties		
Material		aluminium
Glass thickness		8-12 mm

Locks and hinges for glass doors

Door handle

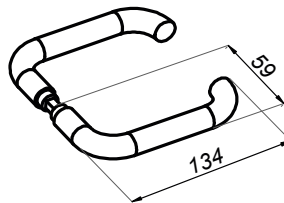
NTH01



Product code	Finish
NTH01-SS	satın
NTH01-NA	silver anodised
NTH01-B	black anodised
Properties	
Material	stainless steel/aluminium

Door handle

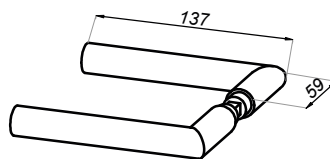
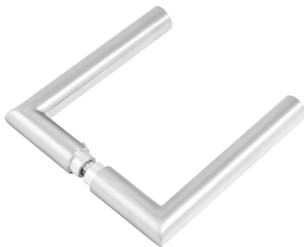
NTH02



Product code	Finish
NTH02-SS	satın
NTH02-NA	silver anodised
NTH02-B	black anodised
Properties	
Material	stainless steel/aluminium

Door handle

NTH06

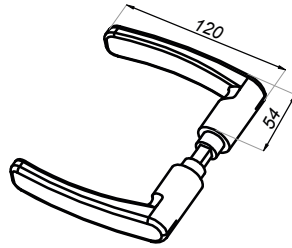


Product code	Finish
NTH06-PS	polish
NTH06-SS	satın
NTH06-B	black anodised
Properties	
Material	stainless steel/aluminium

Locks and hinges for glass doors

Door handle

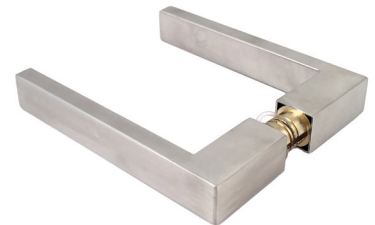
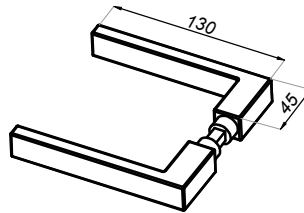
NTH04



Product code	Finish
NTH04-SS	satın
Properties	
Material	stainless steel

Door handle

NTH05

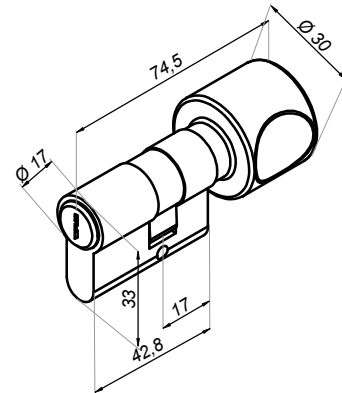


Product code	Finish
NTH05-SS	satın
Properties	
Material	stainless steel

Locks and hinges for glass doors

Lock insert - door knob, key

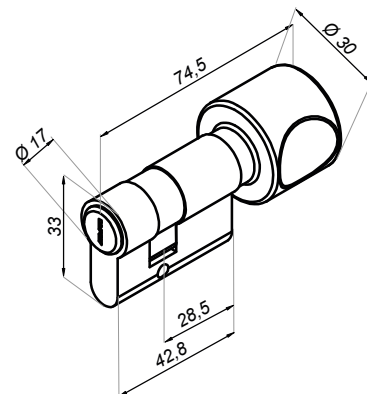
NTW01KG



Product code	Finish
NTW01KG-SS	satin
NTW01KG-NA	silver anodised
Properties	
Material	brass

Lock insert - door knob, key

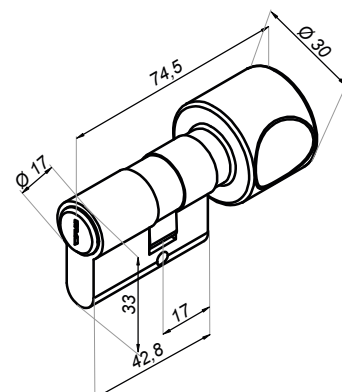
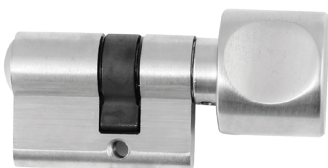
NTW02KG



Product code	Finish
NTW02KG-SS	satin
NTW02KG-NA	silver anodised
Properties	
Material	brass

Bathroom lock insert - door knob

NTW01WC

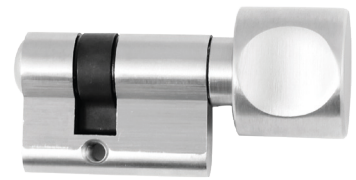
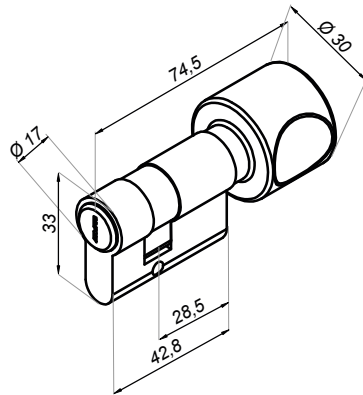


Product code	Finish
NTW01WC-SS	satin
NTW01WC-NA	silver anodised
Properties	
Material	brass

Locks and hinges for glass doors

Lock insert - door knob, key

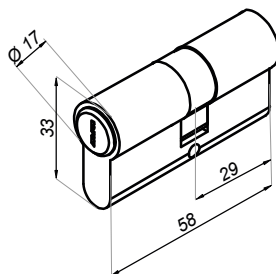
NTW02WC



Product code	Finish
NTW02WC-SS	satin
NTW02WC-NA	silver anodised
Properties	
Material	brass

Lock insert - key-key

NTW03KK

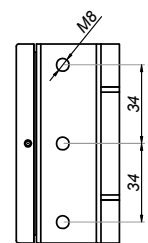
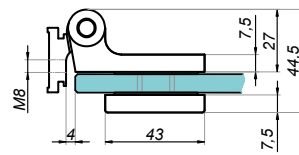
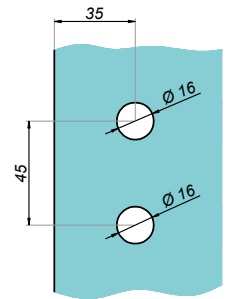
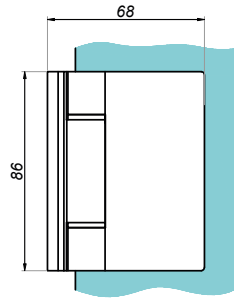
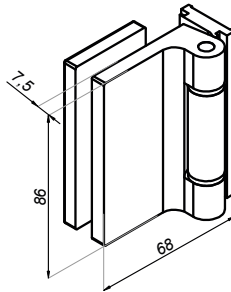


Product code	Finish
NTW03KK-SS	satin
NTW03KK-B	black chrome
Properties	
Material	brass

Locks and hinges for glass doors

Door frame hinge

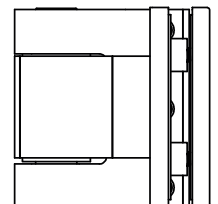
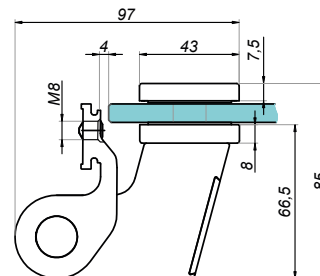
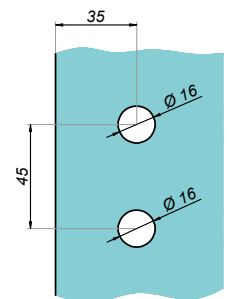
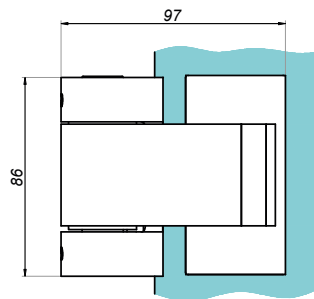
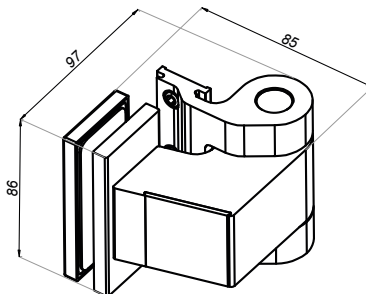
NTZ-600



Product code	Finish
NTZ-600-SS	INOX anodised
NTZ-600-NA	silver anodised
NTZ-600-B	black anodised
Properties	
Glass door thickness	8-10 mm
Material	aluminium
Maximum door width	2400 mm
Above 2200 mm height, it is recommended to use 3 hinges	

Hydraulic hinges

NTZ-1000-SET

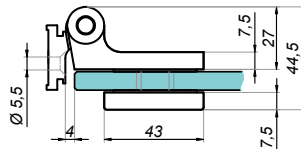
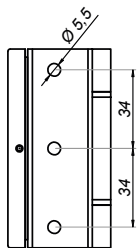
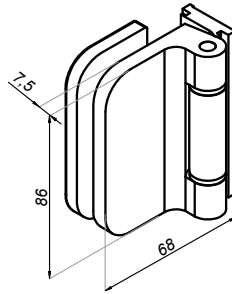
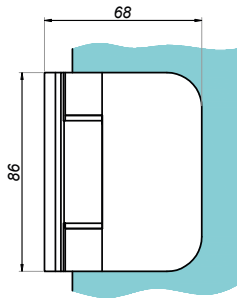
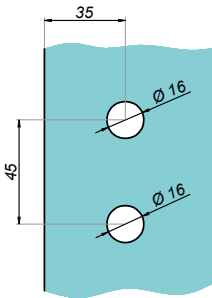


Product code	Finish
NTZ-1000-SET-SS	INOX anodised
NTZ-1000-SET-NA	silver anodised
NTZ-1000-SET-B	black anodised
Properties	
Glass thickness	8-10 mm
Material	aluminium
Maximum door weight	80 kg
Maximum door width	2400 mm
Maximum opening angle	180°
Stop function by opening	90°
Set includes 2 hinges	
Universal hinge - left/right	

Locks and hinges for glass doors

Door frame hinge

NTZ-500



Product code	Finish
NTZ-500-SS	INOX anodised
NTZ-500-NA	silver anodised
NTZ-500-B	black anodised

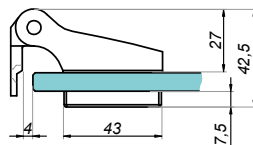
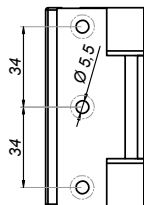
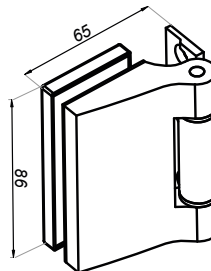
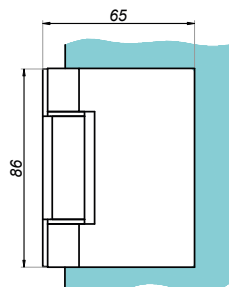
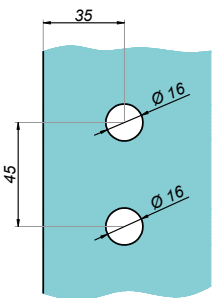
Properties

Glass door thickness	8-10 mm
Material	aluminium
Maximum door width	2400 mm

Above 2200 mm height, it is recommended to use 3 hinges

Door frame hinge

NTZ-470



Product code	Finish
NTZ-470-SS	INOX anodised
NTZ-470-NA	silver anodised
NTZ-470-B	black anodised

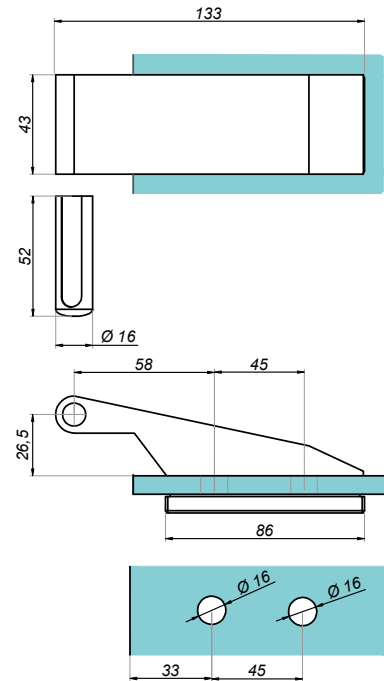
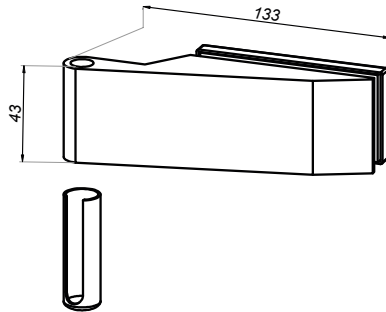
Properties

Glass thickness	8-10 mm
Material	aluminium
Maximum door weight	60 kg

Locks and hinges for glass doors

Wooden door frame hinge

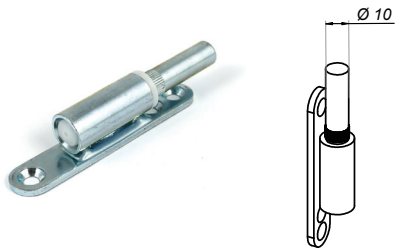
NTZ-380



Product code	Finish
NTZ-380-PS	polish
NTZ-380-SS	satın
NTZ-380-NA	silver anodised
NTZ-380-B	black anodised
Properties	
Glass thickness	8-10 mm
Material	aluminium
Maximum door weight	60 kg

Mounting pin with a plate for hinge

NTZ-380-TP



Product code	
NTZ-380-TP	
Properties	
Material	stainless steel

Mounting pin for hinge

NTZ-380-T

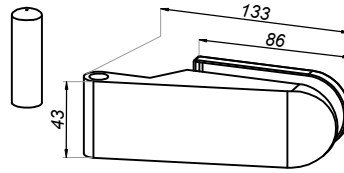
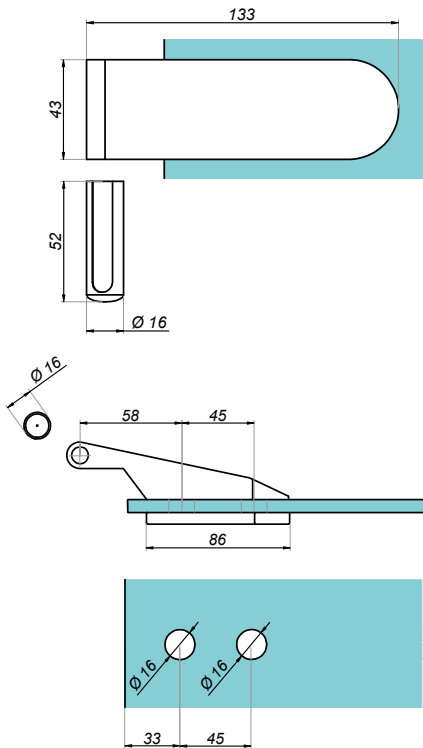


Product code	
NTZ-380-T	
Properties	
Material	stainless steel

Locks and hinges for glass doors

Wooden door frame hinge

NTZ-390



Product code	Finish
NTZ-390-SS	satin
NTZ-390-NA	silver anodised
Properties	
Glass thickness	8-10 mm
Material	aluminium/ stainless steel
Maximum door weight	60 kg