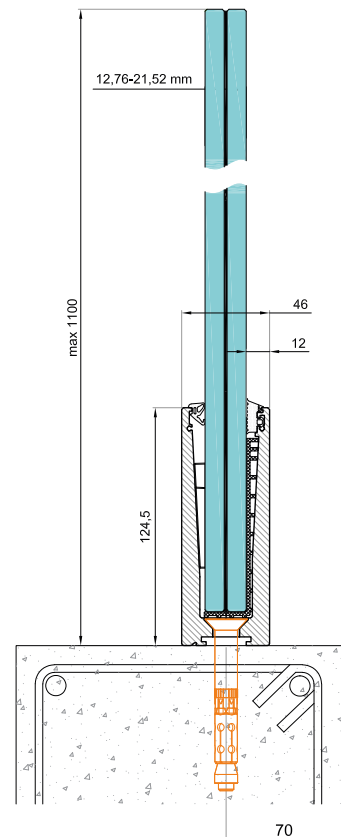
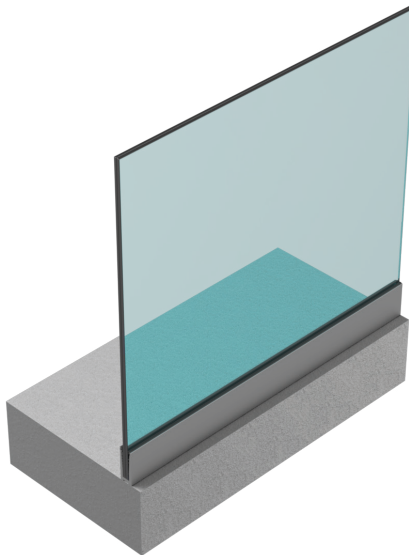
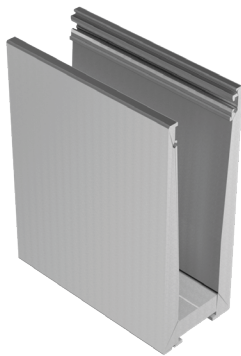


# Glass balustrade systems

## Balustrade profile - floor mounting

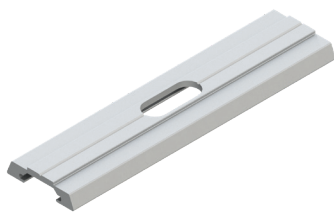
NB-6000P



Product code	Length	Finish
NB-6000P-NA	6000 mm	silver anodised
NB-6000P-INOX	6000 mm	INOX anodised
NB-6000P-RAL	6000 mm	RAL
Properties		
Glass type	66.2-1010.4	
Max. balustrade height	1300 mm	
Distance between mounting holes	150 mm	
Max. load	1,0 kN/m	
Material	aluminium	

## Drainage profile

NB-6000W



Product code	Length	Finish
NB-6000W-NA	6000 mm	silver anodised
NB-6000W-RAL	6000 mm	RAL
Properties		
Material	aluminium	

## Endcap

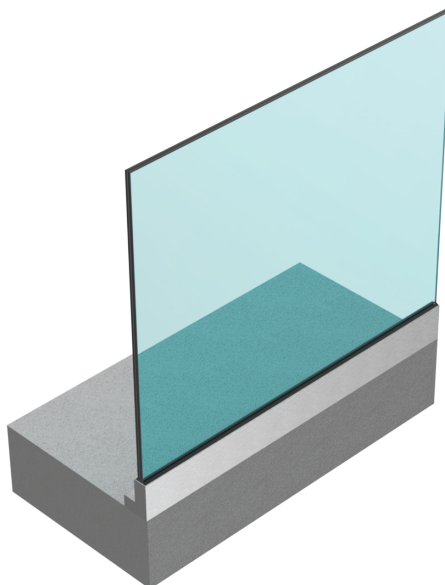
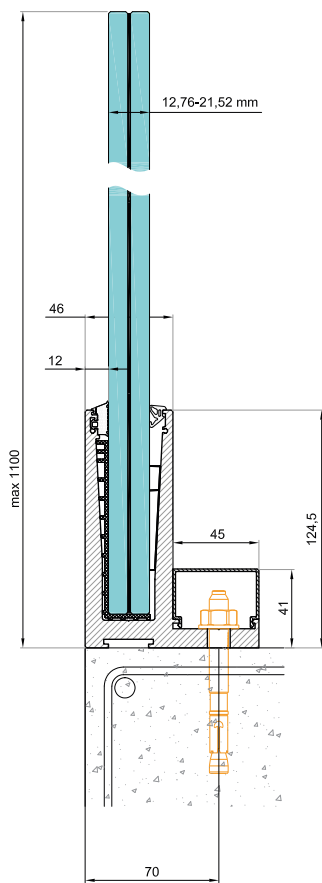
NB-6000-Z



Product code	Finish
NB-6000-Z-NA	silver anodised
NB-6000-Z-INOX	INOX anodised
NB-6000-Z-RAL	RAL
Properties	
Material	stainless steel

## Balustrade profile - floor mounting

### NB-6200P

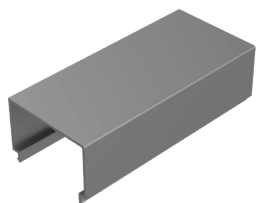


Product code	Length	Finish
NB-6200P-NA	6000 mm	silver anodised
NB-6200P-INOX	6000 mm	INOX anodised
NB-6200P-RAL	6000 mm	RAL

Properties	
Glass type	66.2-1010.4
Max. balustrade height	1300 mm
Distance between mounting holes	250 mm
Max. load	2,0 kN/m
Material	aluminium

## Mounting foot cover

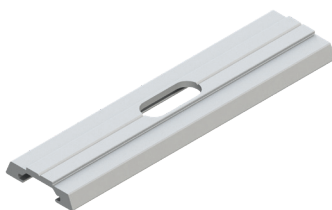
### NB-6200M



Product code	Length	Finish
NB-6200M-NA	6000 mm	silver anodised
NB-6200M-INOX	6000 mm	INOX anodised
NB-6200M-RAL	6000 mm	RAL
Properties		
Material	aluminium	

## Drainage profile

### NB-6200W



Product code	Length	Finish
NB-6200W-NA	6000 mm	silver anodised
NB-6200W-RAL	6000 mm	RAL
Properties		
Material	aluminium	

## Endcap

### NB-6200-Z

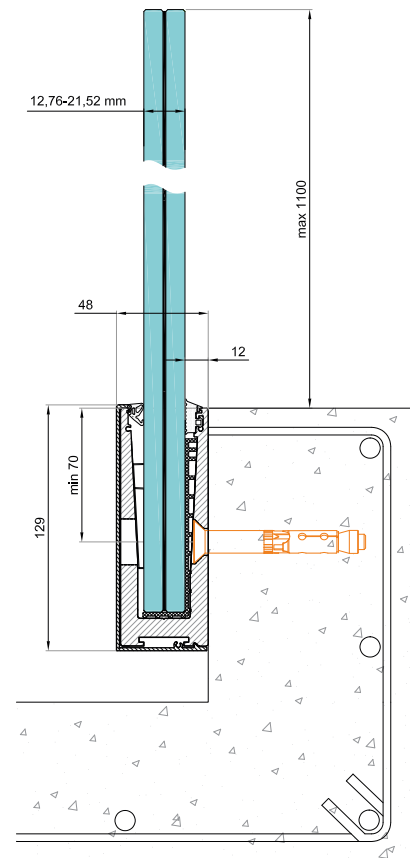
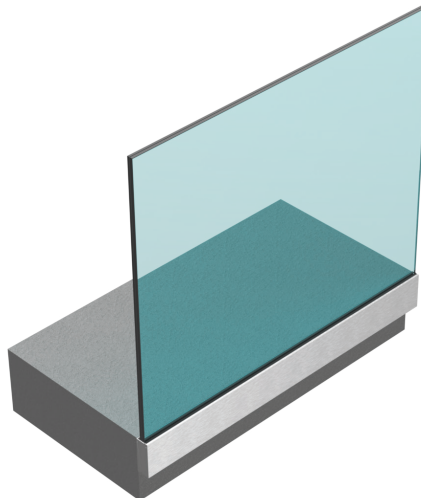


Product code	Finish
NB-6200-Z-NA	silver anodised
NB-6200-Z-INOX	INOX anodised
NB-6200-Z-RAL	RAL
Properties	
Material	stainless steel

# Glass balustrade systems

## Balustrade profile - side mounting

### NB-6100P



Product code	Length	Finish
NB-6100P-NA	6000 mm	silver anodised
NB-6100P-INOX	6000 mm	INOX anodised
NB-6100P-RAL	6000 mm	RAL
Properties		
Glass type	66.2-1010.4	
Max. balustrade height	1300 mm	
Distance between mounting holes	250 mm	
Max. load	2,0 kN/m	
Material	aluminium	

## Profile cover

### NB-6100M



## Drainage profile

### NB-6100W



## Endcap

### NB-6100-Z



Product code	Length	Finish
NB-6100M-NA	6000 mm	silver anodised
NB-6100M-INOX	6000 mm	INOX anodised
NB-6100M-RAL	6000 mm	RAL
Properties		
Material	aluminium	

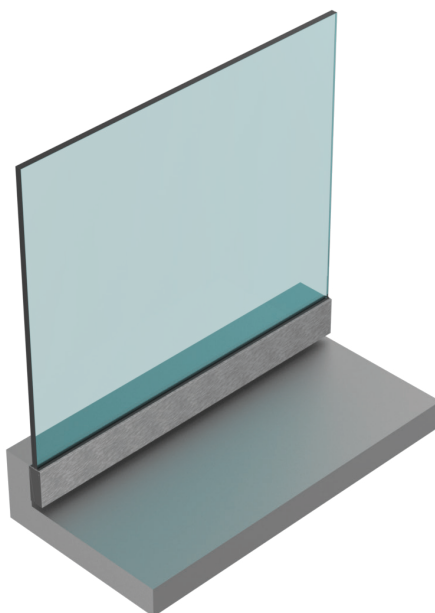
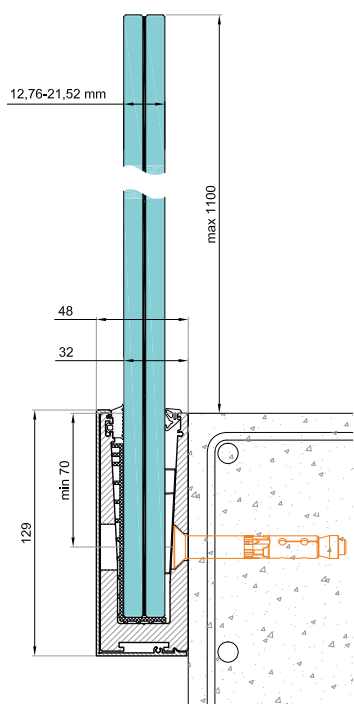
Product code	Length	Finish
NB-6100W-NA	6000 mm	silver anodised
NB-6100W-RAL	6000 mm	RAL
Properties		
Material	aluminium	

Product code	Finish
NB-6100-Z-NA	silver anodised
NB-6100-Z-INOX	INOX anodised
NB-6100-Z-RAL	RAL
Properties	
Material	stainless steel

# Glass balustrade systems

## Balustrade profile - side mounting inverted

### NB-6150P



Product code	Length	Finish
NB-6150P-NA	6000 mm	silver anodised
NB-6150P-INOX	6000 mm	INOX anodised
NB-6150P-RAL	6000 mm	RAL
Properties		
Glass type	66.2-1010.4	
Max. balustrade height	1300 mm	
Distance between mounting holes	250 mm	
Max. load	2,0 kN/m	
Material	aluminium	

## Profile cover

### NB-6100M



## Drainage profile

### NB-6100W



## Endcap

### NB-6150-Z



Product code	Length	Finish
NB-6100M-NA	6000 mm	silver anodised
NB-6100M-INOX	6000 mm	INOX anodised
NB-6100M-RAL	6000 mm	RAL
Properties		
Material	aluminium	

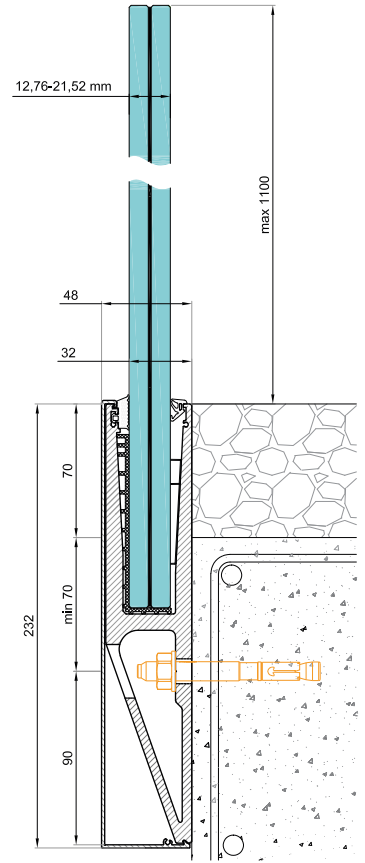
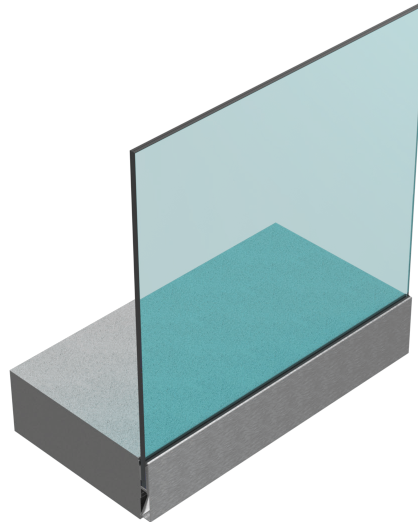
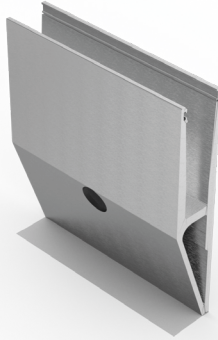
Product code	Length	Finish
NB-6100W-NA	6000 mm	silver anodised
NB-6100W-RAL	6000 mm	RAL
Properties		
Material	aluminium	

Product code	Finish
NB-6150-Z-NA	silver anodised
NB-6150-Z-INOX	INOX anodised
NB-6150-Z-RAL	RAL
Properties	
Material	stainless steel

# Glass balustrade systems

## Balustrade profile - side mounting

### NB-6300P



Product code	Length	Finish
NB-6300P-NA	6000 mm	silver anodised
NB-6300P-INOX	6000 mm	INOX anodised
NB-6300P-RAL	6000 mm	RAL
Properties		
Glass type	66.2-1010.4	
Max. balustrade height	1300 mm	
Distance between mounting holes	200 mm	
Max. load	2,0 kN/m	
Material	aluminium	

## Profile cover

### NB-6300M



## Drainage profile

### NB-6300W



## Endcap

### NB-6300-Z



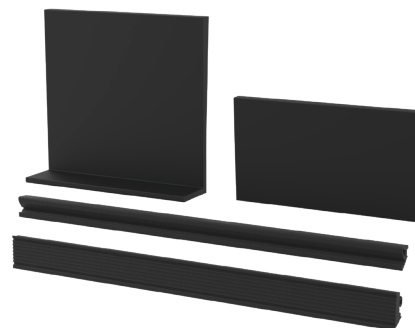
Product code	Length	Finish
NB-6300M-NA	6000 mm	silver anodised
NB-6300M-INOX	6000 mm	INOX anodised
NB-6300M-RAL	6000 mm	RAL
Properties		
Material	aluminium	

Product code	Length	Finish
NB-6300W-NA	6000 mm	silver anodised
NB-6300W-RAL	6000 mm	RAL
Properties		
Material	aluminium	

Product code	Finish
NB-6300-Z-NA	silver anodised
NB-6300-Z-INOX	INOX anodised
NB-6300-Z-RAL	RAL
Properties	
Material	stainless steel

### Seals and wedges for balustrade profiles

#### NB-V



Product code	Glass thickness
NB-1276V	12,76 mm
NB-1352V	13,52 mm
NB-1676V	16,76 mm
NB-1752V	17,52 mm
NB-2076V	20,76 mm
NB-2152V	21,52 mm

#### Properties

One set for 1m contains:

4 pc. of pads

4pc. of wedges

1m of base seal

1m of push-in seal

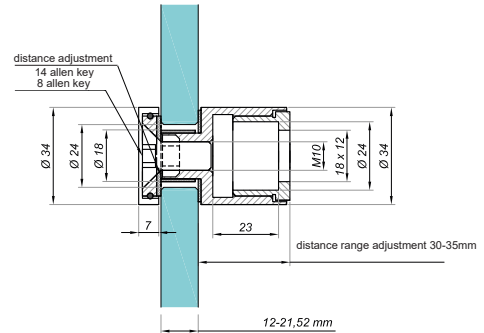
# Glass balustrade systems

## Glass point holders - COSMO

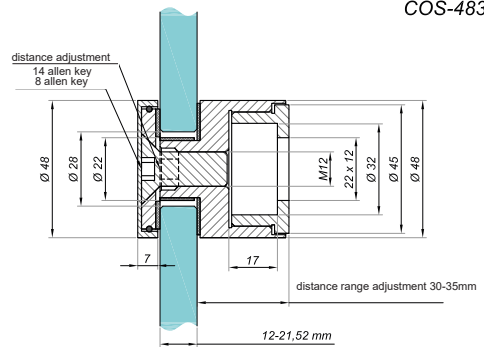
COS



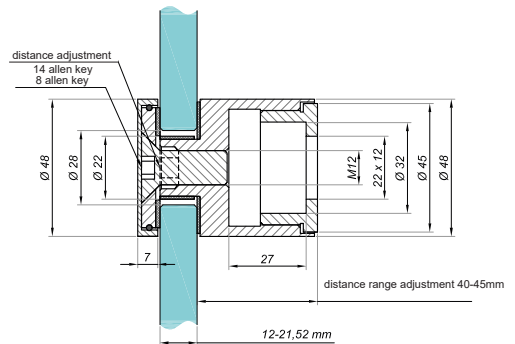
COS-3430-304



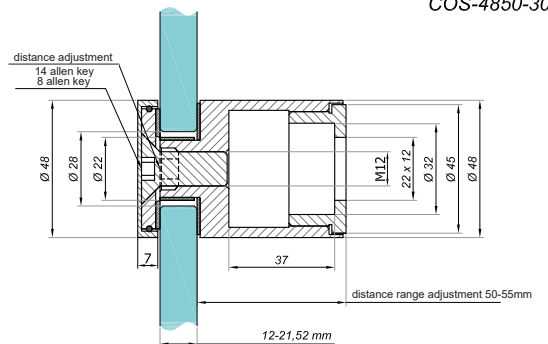
COS-4830-304



COS-4840-304



COS-4850-304



Product code	Diameter	Distance	Hole in the glass	Finish
COS-3430-304-SS	Ø 34	30mm	Ø 24	satin
COS-3430-304-B	Ø 34	30mm	Ø 24	black chrome
COS-4830-304-SS	Ø 48	30mm	Ø 28	satin
COS-4830-304-B	Ø 48	30mm	Ø 28	black chrome
COS-4830-304-MB	Ø 48	30 mm	Ø 28	black matte
COS-4840-304-SS	Ø 48	40 mm	Ø 28	satin
COS-4840-304-B	Ø 48	40 mm	Ø 28	black chrome
COS-4850-304-SS	Ø 48	50 mm	Ø 28	satin
COS-4850-304-B	Ø 48	50 mm	Ø 28	black chrome

**Properties**

Glass thickness	12-21,52 mm
Adjustment distance range	5 mm
Material	stainless steel