



shower swing door hinge PONTERE



PONTERE – for special requirements

MADE
IN
GERMANY

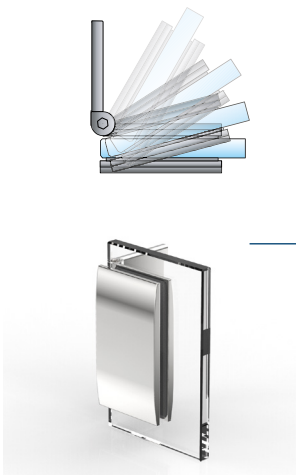
PONTERE is a high quality, aesthetic highlight for individual solutions for high end projects or private homes. niche, corner, pentagonal or U showers: PONTERE is a hinge that takes on any challenge and offers nearly limitless design possibilities. It closes the door in the last centimeters automatically and the closed position can be adjusted infinitely.

- pivoting point centered and therefore useable as a swing door
- self-closing during the last 15 - 20°
- unlimited adjustment of the closed position
- infinite adjustable degree function (except 8418MS)
- quick assembly
- maintenance free in normal use due to high-grade bearing sleeves
- useable with or without sealing profile
- load capacity (two hinges): 50kg (except 8404MS) corresponding to a glass door with the dimension 1000 x 2000 mm and a glass thickness of 10 mm
- the durability of the hardware has been tested internally according to DIN EN 14428:2015 5.5.



■ adjustable angle when using angle brackets (except 8418MS)

■ closed position can be adjusted as often as needed



8430MS



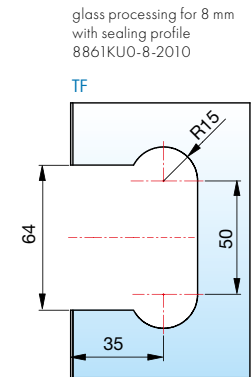
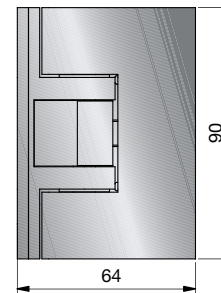
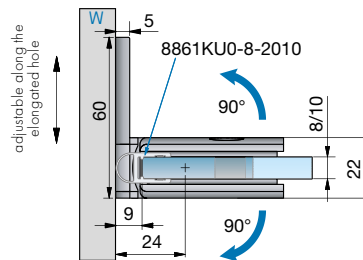
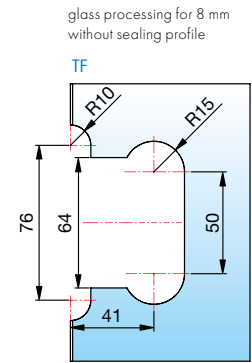
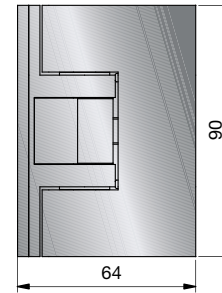
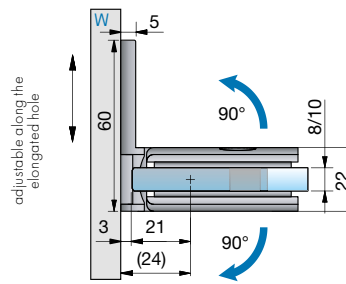
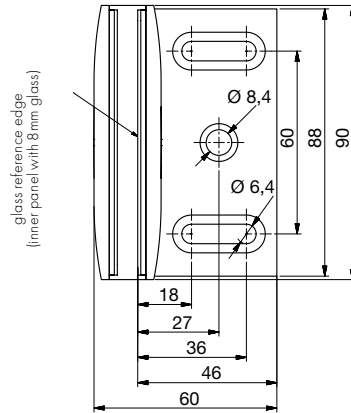
8406MS



Please note that the instruction manual can be found on page 382.

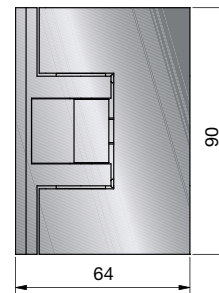
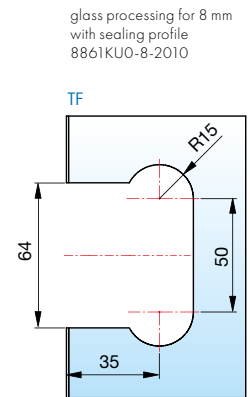
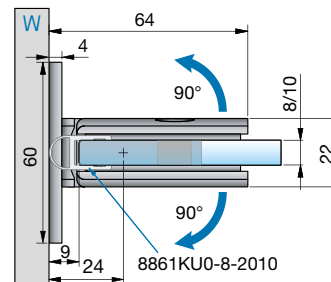
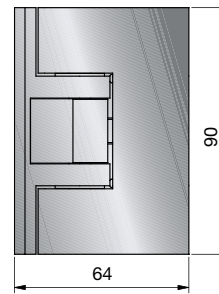
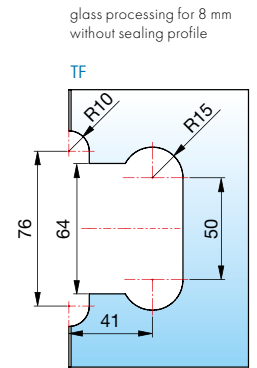
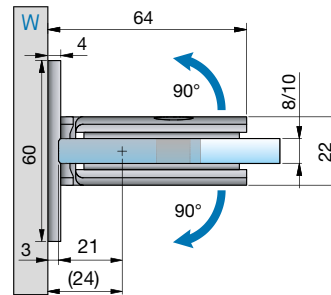
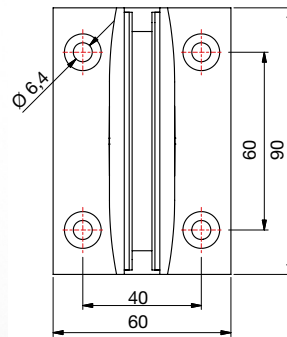
shower swing door hinge - PONTERE

PONTERE



article no.	finish	glass thickness	article description	features	pu/pieces
8406MS7	glass chrome	8/10 mm	shower swing door hinge PONTERE	opens in- and outwards 90°, with adjustable closed position,	1/2
8406MS10	matt chrome		glass-wall 90°	single sided mounting plate	
8406MSPVD22	stainless steel optic				

When using the hinges for 10 mm glass thickness, please use the insert set Art. No. HZ-SET9 per hinge free of charge.



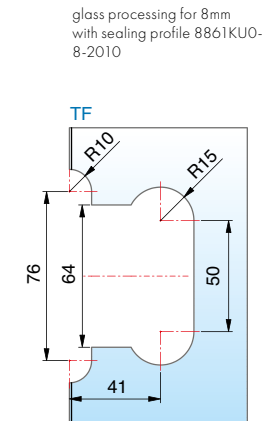
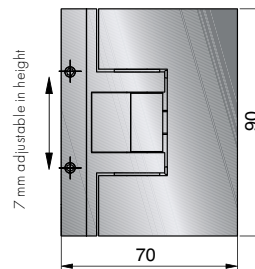
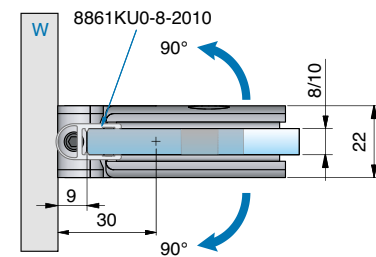
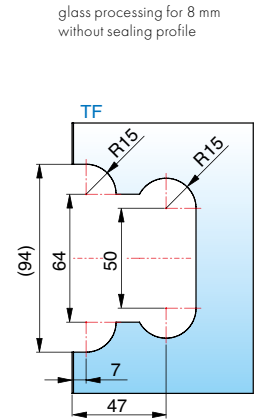
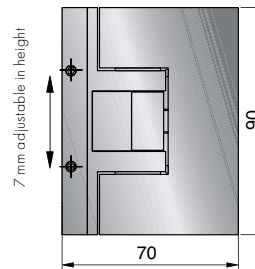
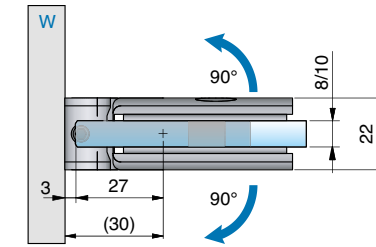
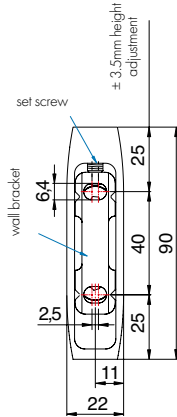
article no.	finish	glass thickness	article description	features	pu/pieces
8408MS7	gloss chrome	8/10 mm	shower swing door hinge PONTERE	opens in- and outwards 90°, with adjustable closed position,	1/2
8408MS10	matt chrome		glass-wall 90°	double sided mounting plate	
8408MSPVD22	stainless steel optic				

When using the hinges for 10 mm glass thickness, please use the insert set Art. No. HZ-SET9 per hinge free of charge.

ST = side panel | TF = door leaf | W = wall

shower swing door hinge - PONTERE

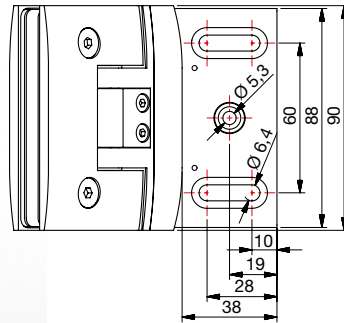
PONTERE



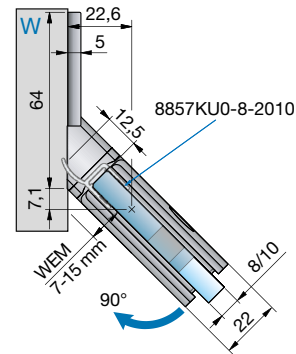
article no.	finish	glass thickness	article description	features	pu/pieces
8404MS7	gloss chrome	8/10 mm	shower swing hinge PONTERE	opens in- and outwards 90°, with adjustable closed position, 7 mm adjustable in height, loading capacity of 2 hinges: 35 kg corresponding to a glass door with the dimension 700 x 2000 mm and a glass thickness of 10 mm	1/2
8404MS10	matt chrome		glass-wall 90°		
8404MSPVD22	stainless steel optic				

When using the hinges for 10 mm glass thickness, please use the insert set Art. No. HZ-SET9 per hinge free of charge.

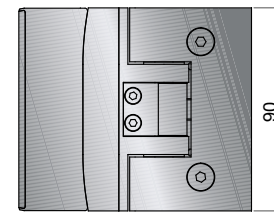
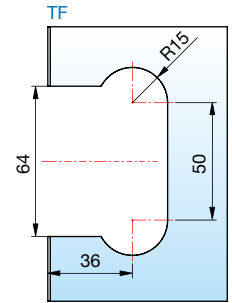
shower swing door hinge - PONTERE



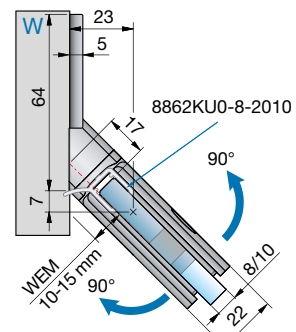
adjustable along the elongated hole



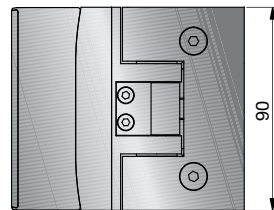
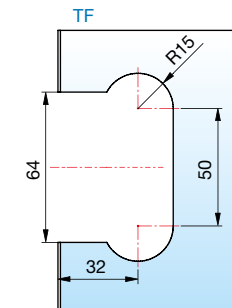
glass processing for 8mm with sealing profile 8857KU0-8-2010



adjustable along the elongated hole



glass processing for 8mm with sealing profile 8862KU0-8-2010



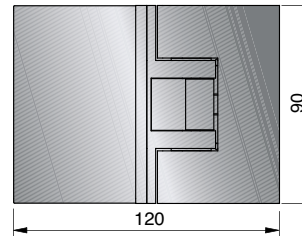
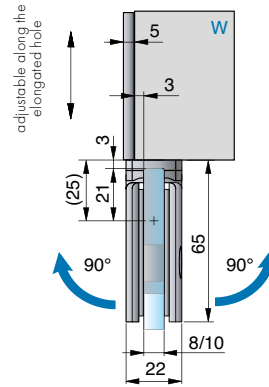
article no.	finish	glass thickness	article description	features	pu/pieces
8414MS7	gloss chrome	8/10 mm	shower swing door hinge PONTERE	opens in- and outwards 90° depending on sealing profile, with adjustable closed position, adjustable along the oblong hole	1/2
8414MS10	matt chrome		glass-wall 135°		
8414MSPVD22	stainless steel optic				

When using the hinges for 10 mm glass thickness, please use the insert set Art. No. HZ-SET9 per hinge free of charge.

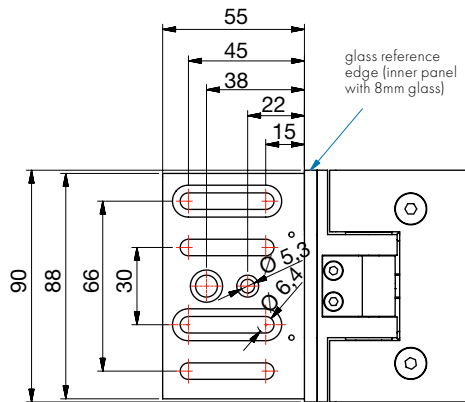
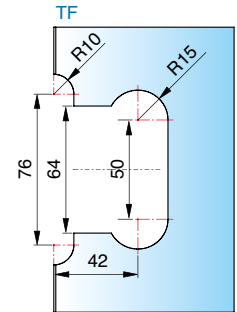
ST = side panel | TF = door leaf | W = wall

shower swing door hinge - PONTERE

PONTERE

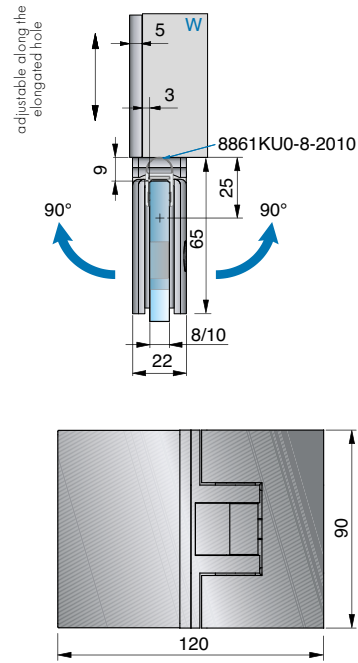


glass processing for 8mm without sealing profile

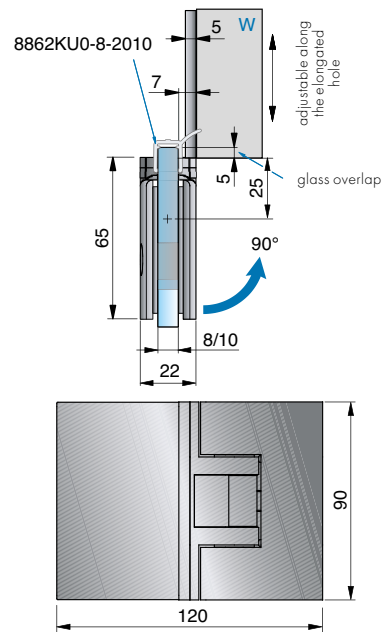
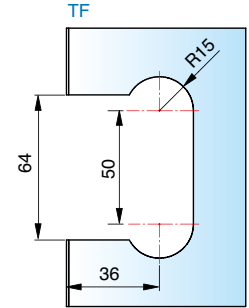


When using the hinges for 10 mm glass thickness, please use the insert set Art. No. HZ-SET9 per hinge free of charge.

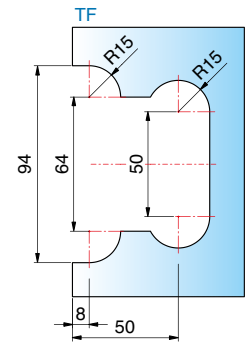
shower swing door hinge - PONTERE



glass processing for 8mm
with sealing profile
8861KU0-8-2010



glass processing for 8mm
with sealing profile
8862KU0-8-2010

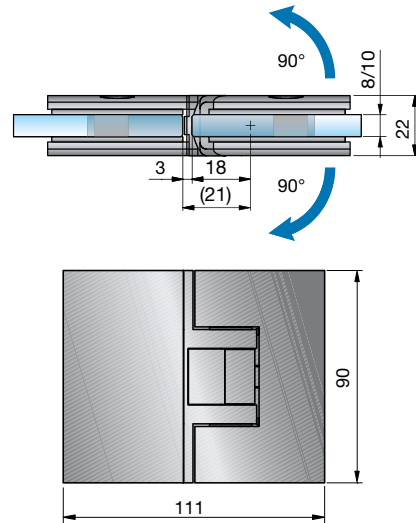


article no.	finish	glass thickness	article description	features	pu/pieces
8412MS7	gloss chrome	8/10 mm	shower swing door hinge PONTERE	opens in- and outwards 90° depending on sealing profile, with adjustable closed position, adjustable along the oblong hole	1/2
8412MS10	matt chrome		glass-wall 180°		
8412MSPVD22	stainless steel optic				

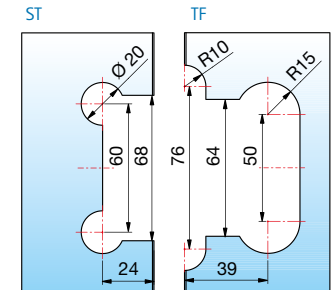
ST = side panel | TF = door leaf | W = wall

shower swing door hinge - PONTERE

PONTERE

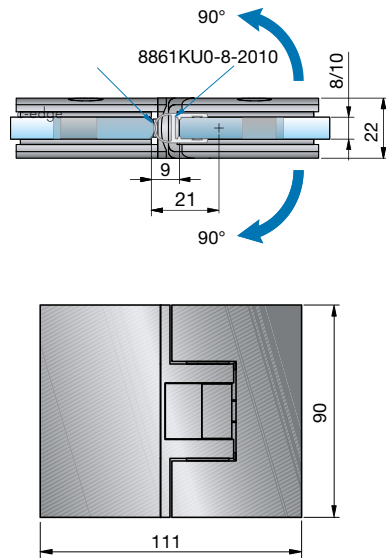
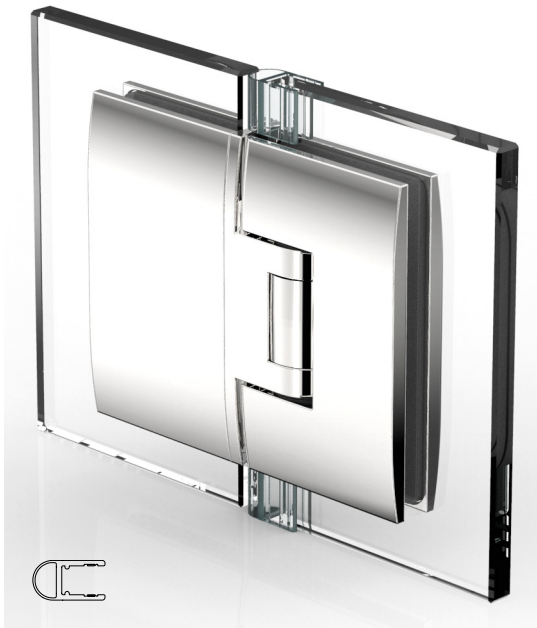


glass processing for 8mm
without sealing profile

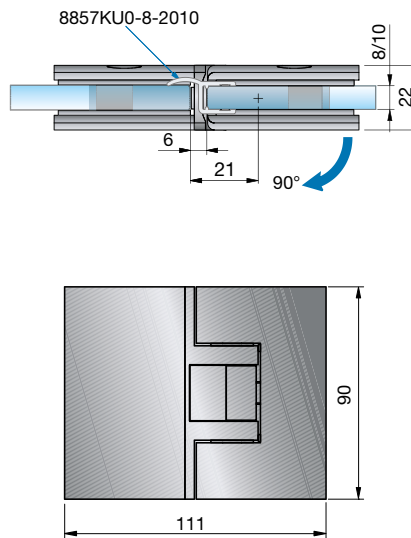
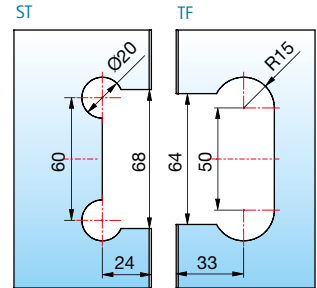


When using the hinges for 10 mm glass thickness, please use the insert set Art. No. HZ-SET7 per hinge free of charge.

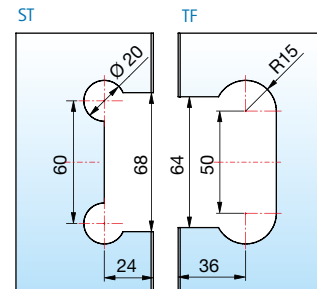
shower swing door hinge - PONTERE



glass processing for 8mm
with sealing profile 8861KU0-8-2010



glass processing for 8mm
with sealing profile 8857KU0-8-2010



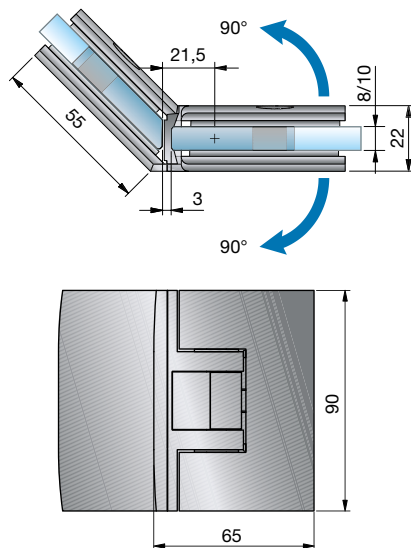
article no.	finish	glass thickness	article description	features	pu/pieces
8400MS7	gloss chrome	8/10 mm	shower swing door hinge PONTERE	opens in- and outwards 90° depending on sealing profile, with adjustable closed position	1/2
8400MS10	matt chrome		glass-glass 180°		
8400MSPVD22	stainless steel optic				

ST = side panel | TF = door leaf | W = wall

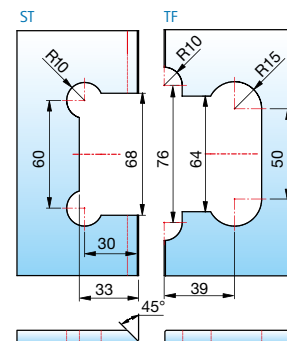


shower swing door hinge - PONTERE

PONTERE

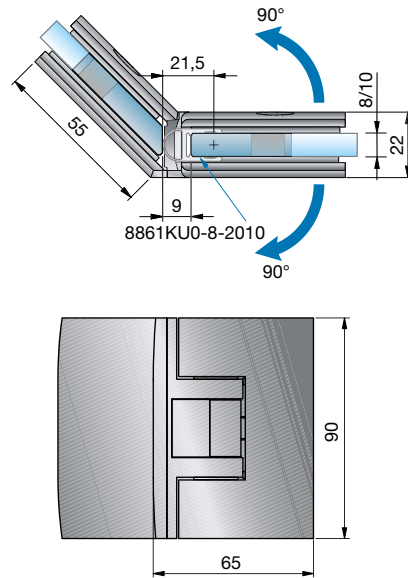


glass processing for 8 mm
without sealing profile

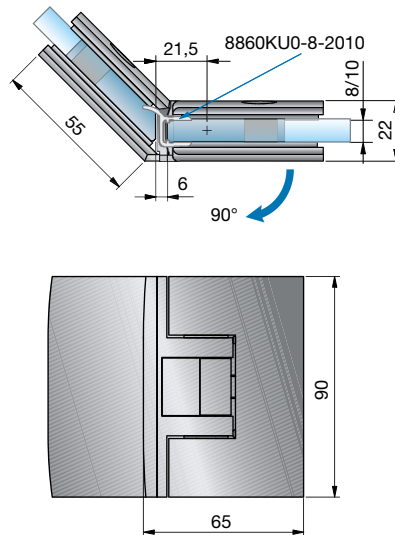
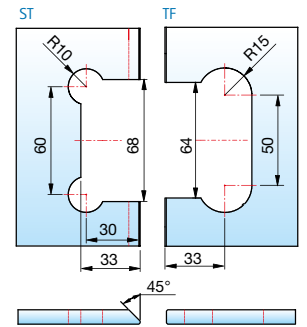


When using the hinges for 10 mm glass thickness, please use the insert set Art. No. HZ-SET8 per hinge free of charge.

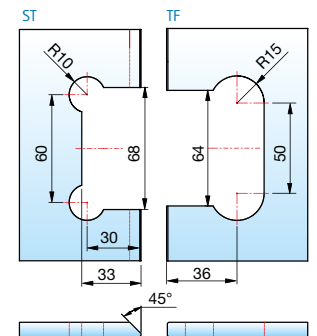
shower swing door hinge - PONTERE



glass processing for 8 mm
with sealing profile 8861KU0-8-2010



glass processing for 8 mm
with sealing profile 8860KU0-8-2010

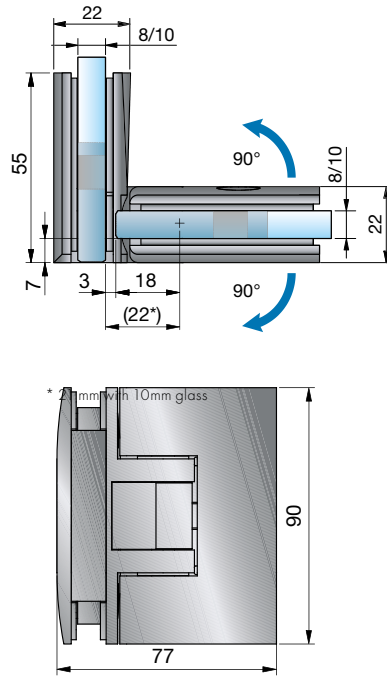
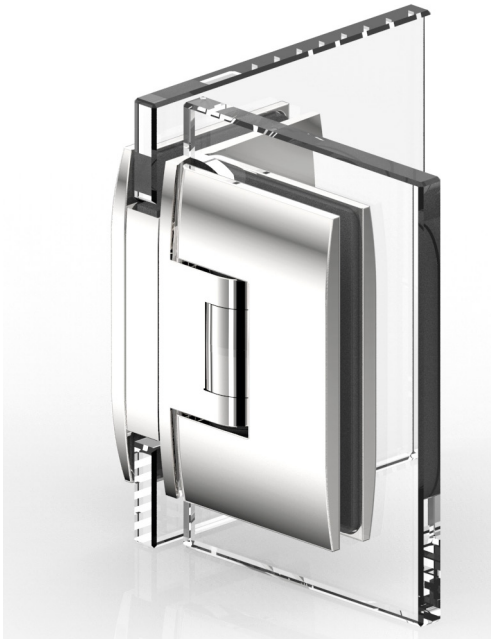


article no.	finish	glass thickness	article description	features	pu/pieces
8402MS7	gloss chrome	8/10 mm	shower swing door hinge PONTERE	opens in- and outwards 90° depending on sealing profile, with	1/2
8402MS10	matt chrome		glass-glass 135°	adjustable closed position	
8402MSPVD22	stainless steel optic				

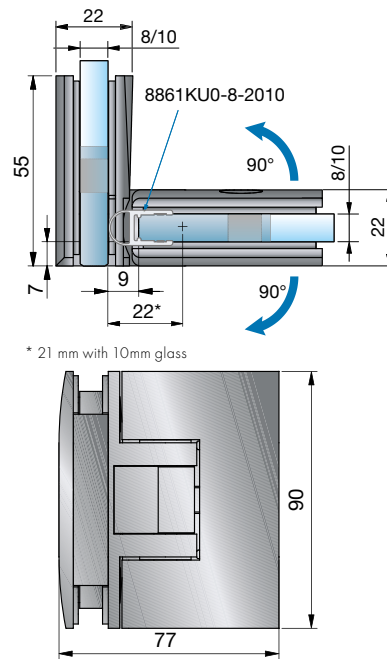
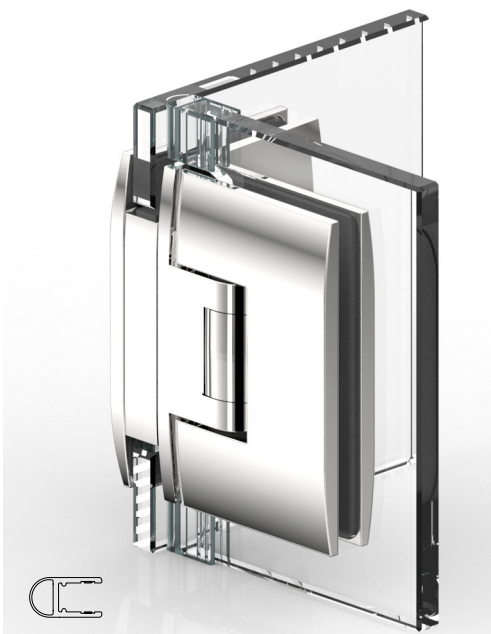
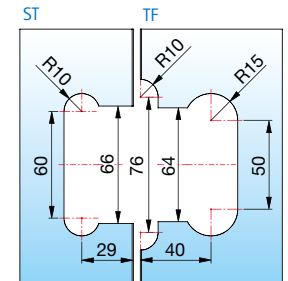
ST = side panel | TF = door leaf | W = wall

shower swing door hinge - PONTERE

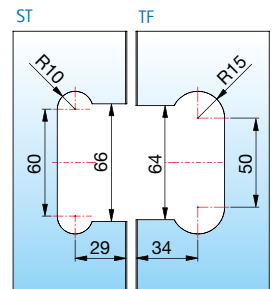
PONTERE



glass processing for 8 mm
without sealing profile



glass processing for 8 mm
with sealing profile 8861KU0-8-2010



article no.	finish	glass thickness	article description	features	pu/pieces
8410MS7	gloss chrome	8/10 mm	shower swing door hinge PONTERE	opens in- and outwards 90°, with adjustable closed position	1/2
8410MS10	matt chrome		glass-glass 90°		
8410MSPVD22	stainless steel optic				

When using the hinges for 10 mm glass thickness, please use the insert set Art. No. HZ-SET10 per hinge free of charge.

ST = side panel | TF = door leaf | W = wall



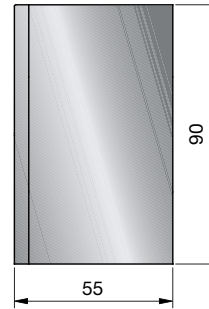
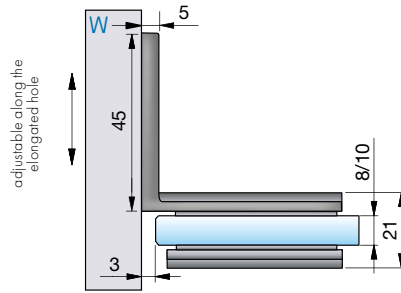
- to stabilize the shower, we recommend the VIVERE railing in stainless steel for even more stability.



- by positioning the glass within the shower area you can install the shower without the usage of seals. In this case, it is important to consider the angle of the water spray onto the glass.

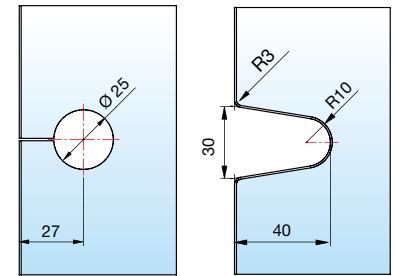
angle bracket - PONTERE

PONTERE

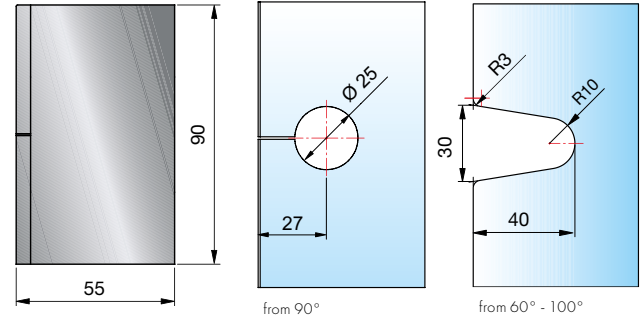
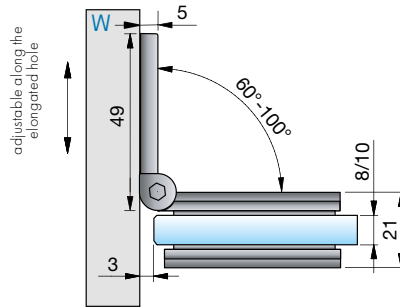


glass processing for 8/10 mm glass

hole \varnothing 25 mm or edge recess R40



article no.	finish	glass thickness	article description	features	pu/pieces
8418MS7	gloss chrome	8/10 mm	angle bracket PONTERE	fixed, adjustable within the recess	1/2
8418MS10	matt chrome		glass-wall 90°		
8418MSPVD22	stainless steel optic				

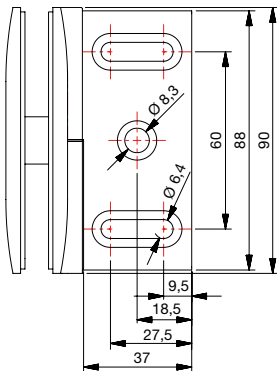


glass processing for 8 mm glass

with other angles the miter angle and/or hole distance is changing according to table.

hole Ø 25 mm or edge recess R40

article no.	finish	glass thickness	article description	features	pu/pieces
8430MS7	gloss chrome	8/10 mm	angle bracket PONTERE	degree of angle is fully adjustable between 60° and 100°,	1/2
8430MS10	matt chrome		glass-wall 90°	adjustable along the oblong hole	
8430MSPVD22	stainless steel optic				



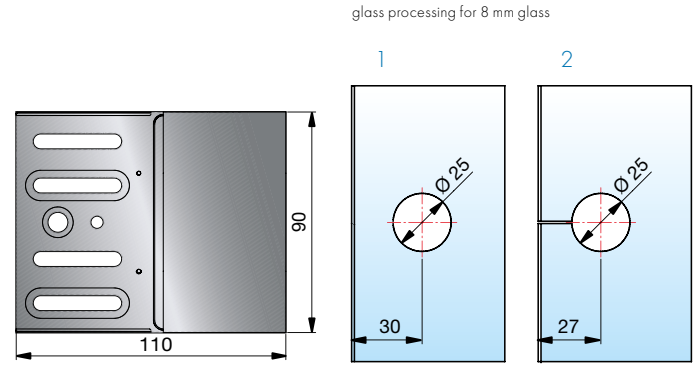
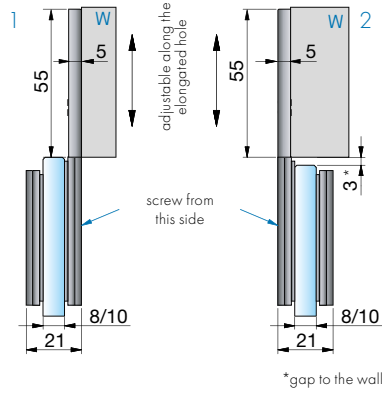
mounting bracket for 8418 and 8430

miter angle and hole distances for 8430MS

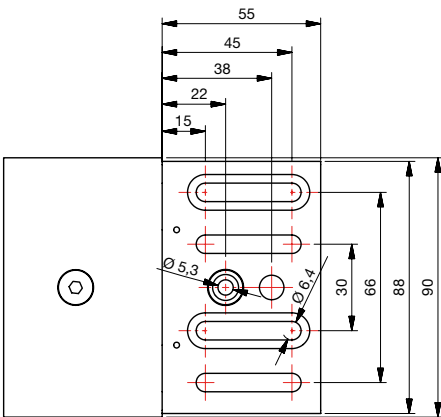
corner	hole distance from glass edge	miter angle	remarks
60°	35 mm	30°	-
65°	33 mm	25°	-
70°	32 mm	20°	-
75°	31 mm	15°	-
80°	29 mm	10°	-
85°	28 mm	5°	hole slotted
90°	27 mm	without miter angle	hole slotted
95°	26 mm	5°	hole slotted
100°	26 mm	10°	hole slotted

angle bracket - PONTERE

PONTERE

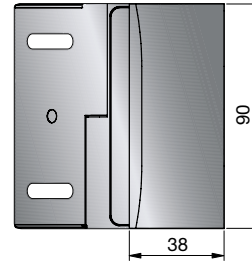
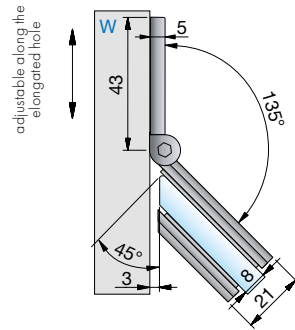


article no.	finish	glass thickness	article description	features	pu/pieces
8428MS7	gloss chrome	8/10 mm	angle bracket PONTERE	adjustable along the oblong hole and comes with mounting plate, screw side usable left or right	1/2
8428MS10	matte chrome		glass-wall 180°		
8428MSPVD22	stainless steel optic				



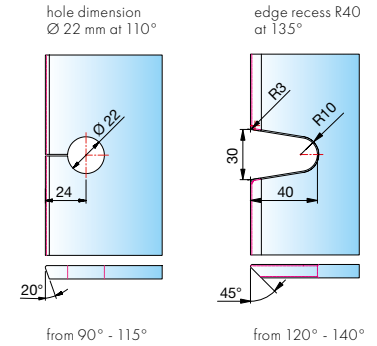
mounting bracket for 8428

W = wall

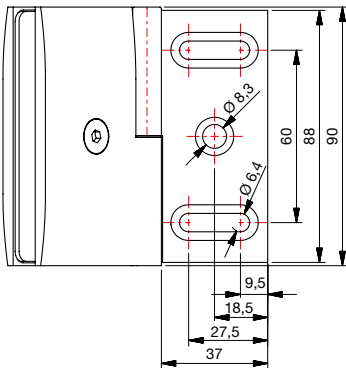


glass processing for 8 mm glass

with other angles the miter angle and/or hole distance is changing according to table.



article no.	finish	glass thickness	article description	features	pu/pieces
8427MS7	gloss chrome	8/10 mm	angle bracket PONTERE	degree of angle is fully adjustable between 90° - 140°, adjustable within the recess	1/2
8427MS10	matt chrome		glass-wall 135°		
8427MSPVD22	stainless steel optic				

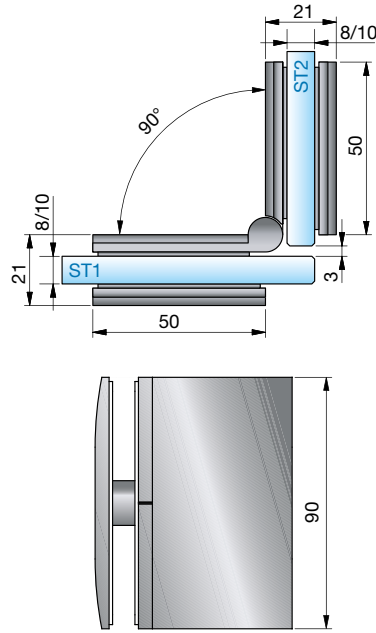


mounting bracket for 8427

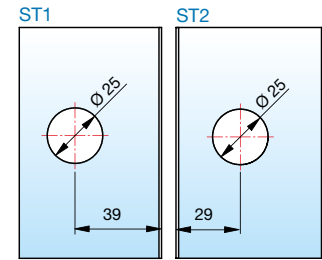
miter angle and hole distances for 8427MS				
corner	hole distance from glass edge	miter angle	glass processing	remarks
90°	27 mm	0°	hole	-
95°	26 mm	5°	hole	hole slotted
100°	26 mm	10°	hole	hole slotted
105°	25 mm	15°	hole	hole slotted
110°	24 mm	20°	hole	hole slotted
115°	24 mm	25°	hole	hole slotted
120°		30°	edge recess R40	-
125°		35°	edge recess R40	-
130°		40°	edge recess R40	-
135°		45°	edge recess R40	-
140°		50°	edge recess R40	-

angle bracket - PONTERE

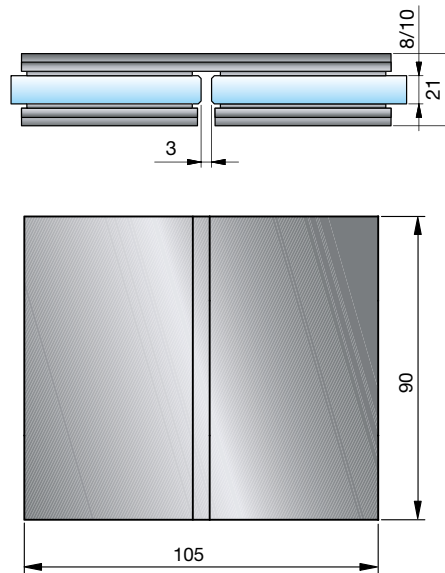
PONTERE



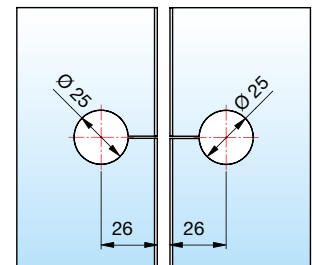
glass processing for 8 mm glass



article no.	finish	glass thickness	article description	features	pu/pieces
8421MS7	gloss chrome	8/10 mm	angle bracket PONTERE	degree of angle is fully adjustable between 80° and 180°	1/2
8421MS10	matt chrome		glass-glass 90°		
8421MSPVD22	stainless steel optic				

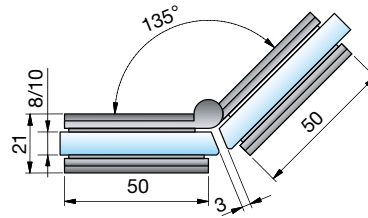


glass processing for 8/10 mm glass



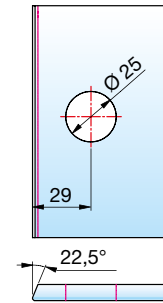
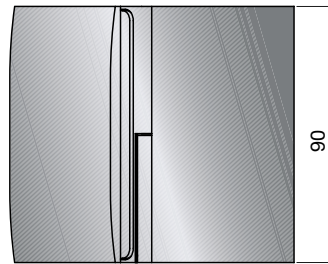
article no.	finish	glass thickness	article description	features	pu/pieces
8422MS7	gloss chrome	8/10 mm	angle bracket PONTERE	fixed	1/2
8422MS10	matt chrome		glass-glass 180°		
8422MSPVD22	stainless steel optic				

ST = side panel



glass processing for 8 mm glass

with other angles the miter angle and/or hole distance is changing according to table.



article no.	finish	glass thickness	article description	features	pu/pieces
8425MS7	gloss chrome	8/10 mm	angle bracket PONTERE	degree of angle is fully adjustable between 80° and 180°	1/2
8425MS10	matt chrome		glass-glass 135°		
8425MSPVD22	stainless steel optic				

miter angle and hole distances for 8425MS

corner	hole distance from glass edge	miter angle	remarks	corner	hole distance from glass edge	miter angle	remarks
80°	38 mm	50°	-	135°	29 mm	22,5°	-
85°	37 mm	47,5°	-	140°	28 mm	20°	hole slotted
90°	36 mm	45°	-	145°	27 mm	17,5°	hole slotted
95°	35 mm	42,5°	-	150°	27 mm	15°	hole slotted
100°	34 mm	40°	-	155°	26 mm	12,5°	hole slotted
105°	33 mm	37,5°	-	160°	26 mm	10°	hole slotted
110°	32 mm	35°	-	165°	25 mm	7,5°	hole slotted
115°	31 mm	32,5°	-	170°	25 mm	5°	hole slotted
120°	31 mm	30°	-	175°	24 mm	0°	hole slotted
125°	30 mm	27,5°	-	180°	24 mm	0°	hole slotted
130°	29 mm	25°	-				

PAVONE – flush lifting swing door hinge

PAVONE



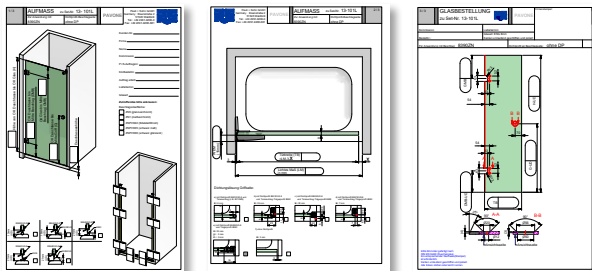
corresponding angle brackets

for PAVONE can be found on page 66.



our service for you!

On www.pauli.de you can find many different measurement sheets for all standard installations.

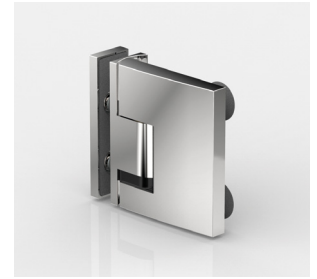


MADE
IN
GERMANY

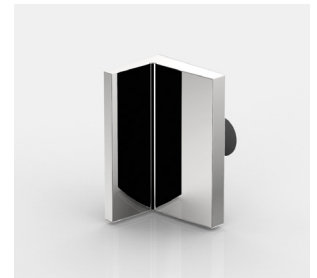
**Black
EDITION**



flush lifting swing door hinge PAVONE



8393ZN



8397ZN

PAVONE – highest demands on functionality and aesthetic



With our new innovative developments in the lifting hinge area we give you the possibility, depending on the application, to build the shower without seals.

- 90° opens in- and outwards
- lifting function
- with flush screws
- self-closing during the lowering process
- fully adjustable closed position

- load capacity (2 hinges): 36 kg corresponds to a maximum door panel size of 900 x 2000mm with 8 mm glass thickness
- optimized for assembly without seals depending on the building situation (3mm gap to the wall with modified glass processing with mitered edge)
- the durability of the hardware has been tested internally according to DIN EN 14428:2015 5.5.



8390ZN



8392ZN

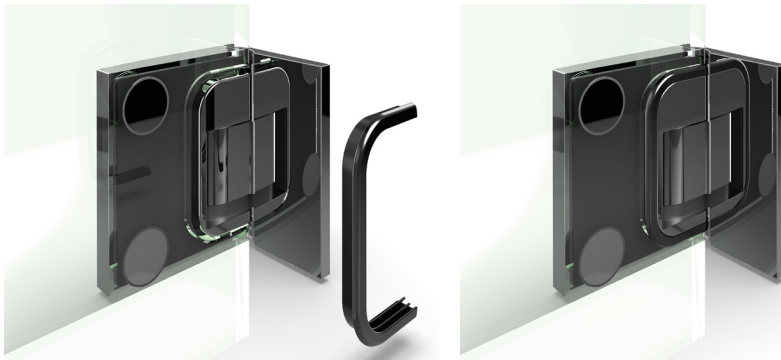


8399ZN



- flush glass mounting for simpler cleaning
- lifting function - lifts 6 mm, after approx. 54°
- self-closing during the lowering process

- all hinges available also in black



- for a smooth assembly process:
insert the sealing gasket before aligning the panel.

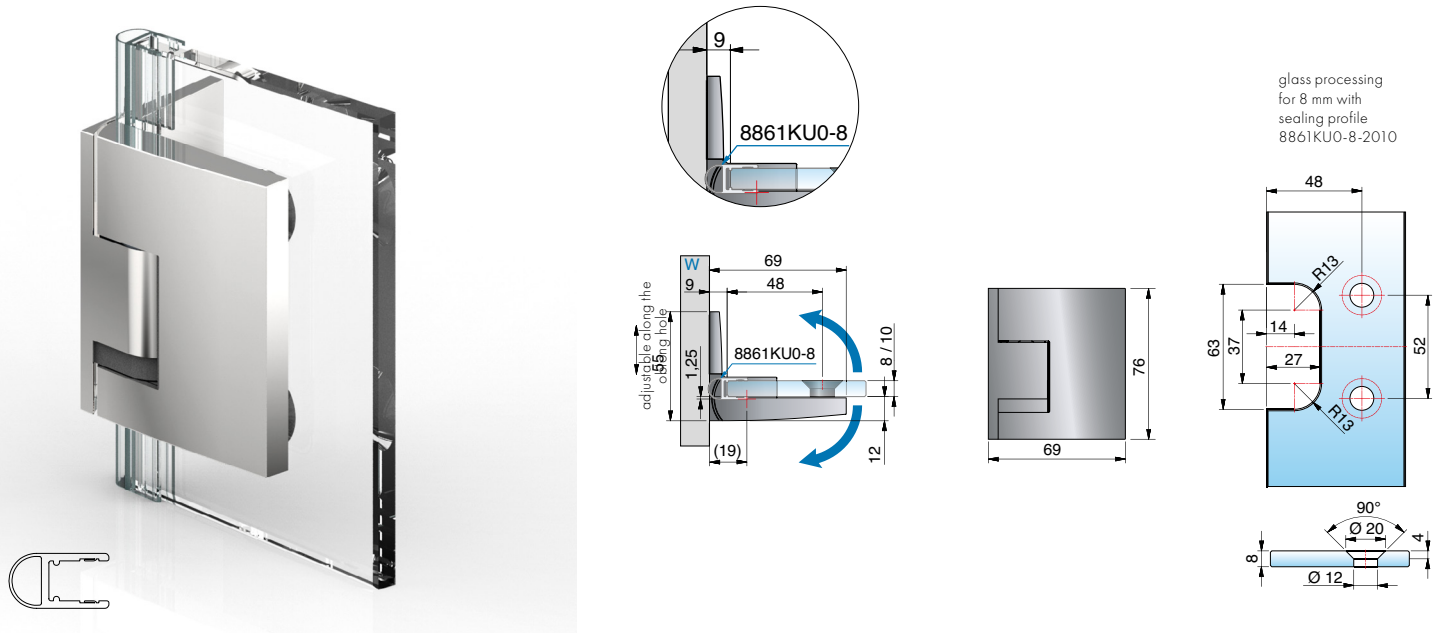
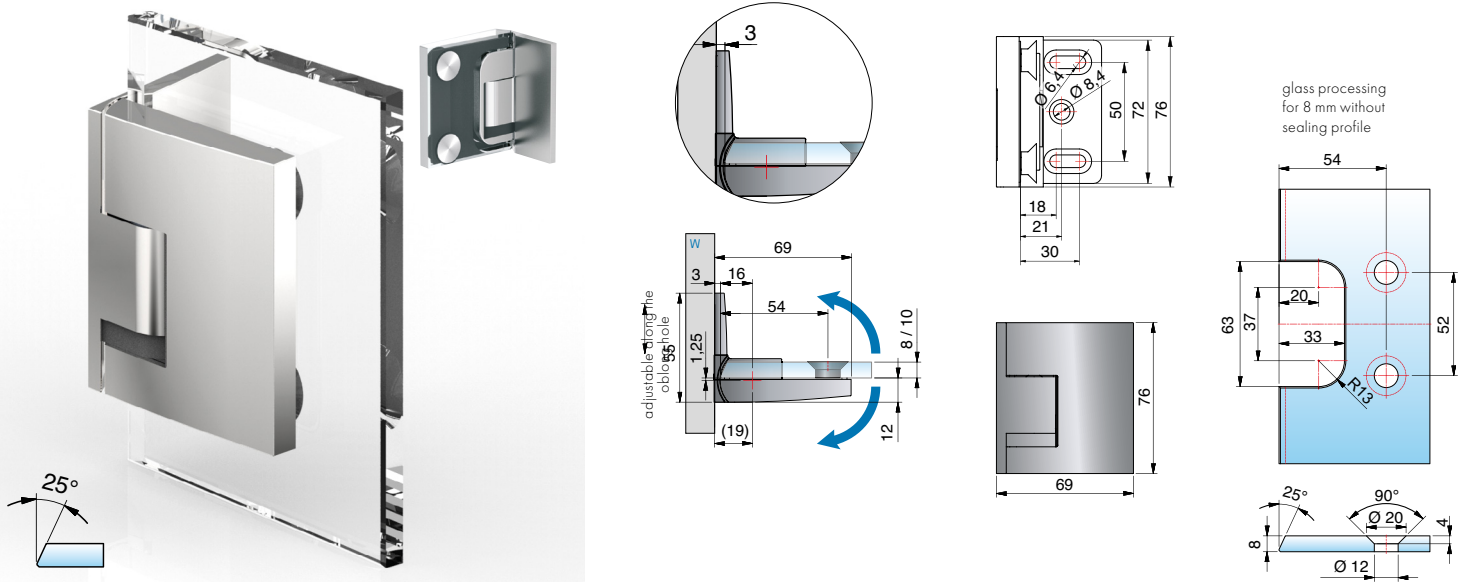
Since the edge cutout of the glass remains visible largely due to the flushness of the surface, we recommend for the glass processing to use **CNC grinding**, this helps to avoid breakage i.e. over- and under breaking in the area of the edge cutout



Please note that the instruction manual can be found on page 382.

PAVONE – flush lifting swing door hinge

PAVONE

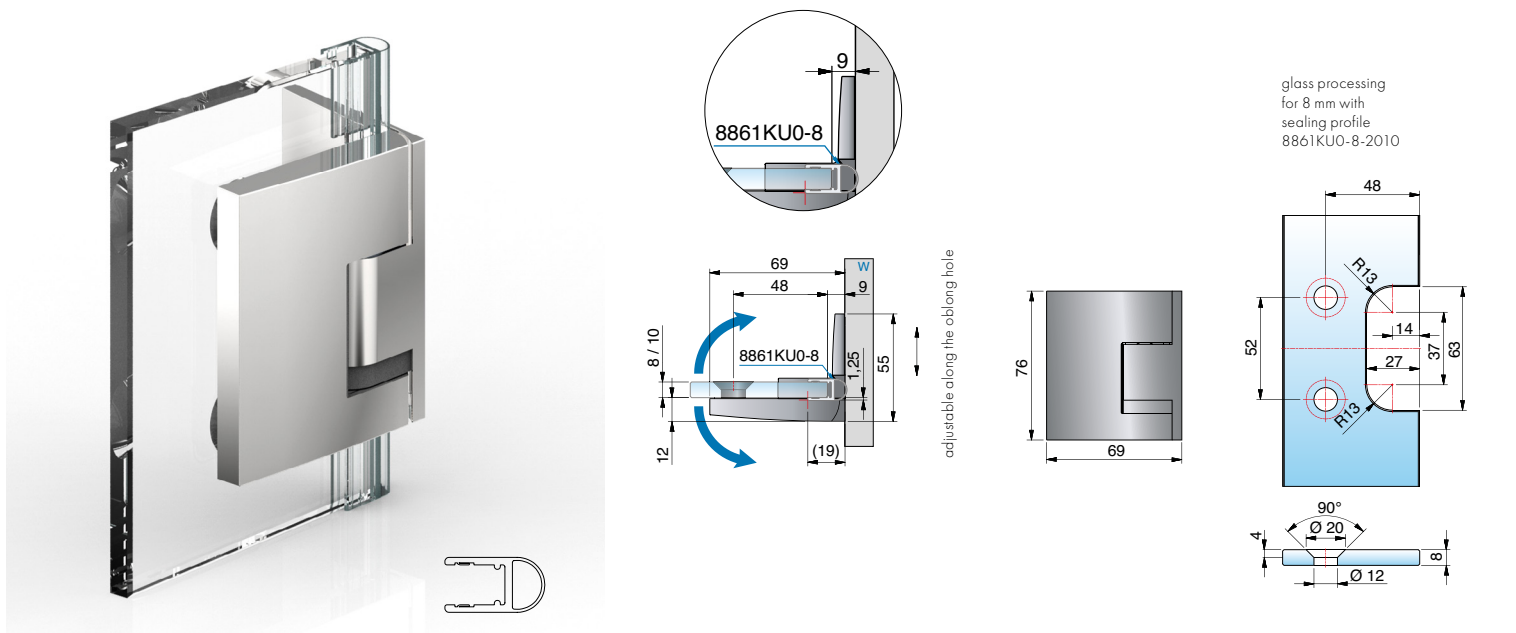
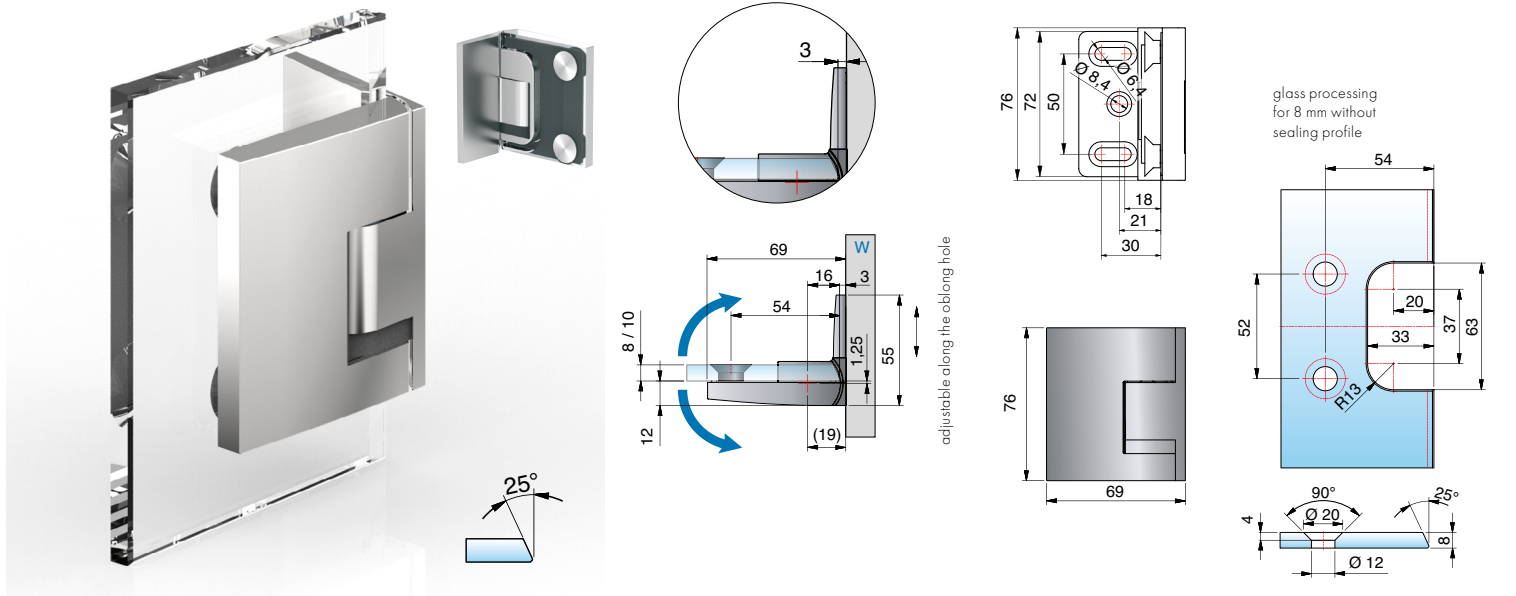


article no.	finish	glass thickness	article description	features	pu/pieces
8390ZN5-L	glass chrome	8/10 mm	PAVONE – shower swing door hinge	glass fixtures flush, concealed screws with cover plate, point fixture	1/2
8390ZN1-L	mat chrome		glass-wall 90°	assembly adjustable independent of each other ± 2 mm in any	
8390ZNPVD22-L	stainless steel optic		mounted on the left,	direction, closed position adjustable. assembly without side seal	
8390ZNPVD35-L	black matt		opening in- and outwards	possible with altered glass processing	

Attention: Please note the information on page 68!

PAVONE – flush lifting swing door hinge

PAVONE



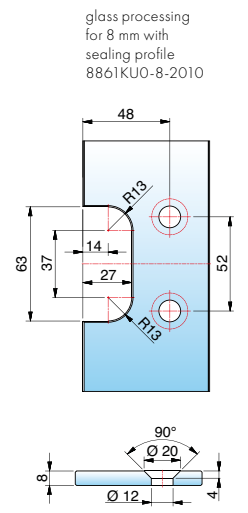
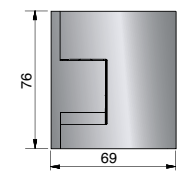
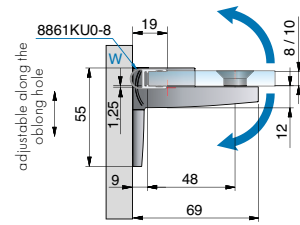
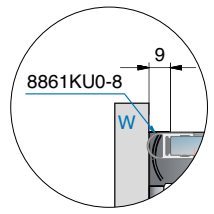
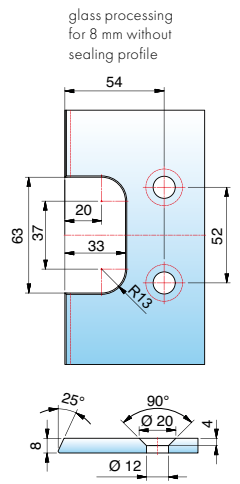
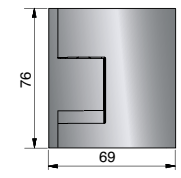
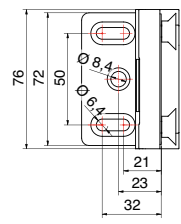
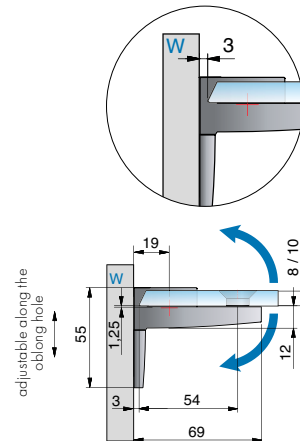
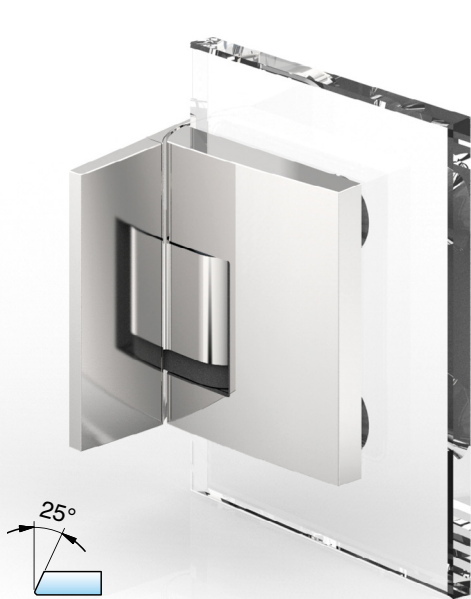
article no.	finish	glass thickness	article description	features	pu/pieces
8390ZN5-R	gloss chrome	8/10 mm	PAVONE – shower swing door hinge	glass fixtures flush, concealed screws with cover plate, point fixture	1/2
8390ZN1-R	matt chrome		glass-wall 90°	assembly adjustable independent of each other ± 2 mm in any	
8390ZNPVD22-R	stainless steel optic		mounted on the right,	direction, closed position adjustable. assembly without side seal	
8390ZNPVD35-R	black matt		opening in- and outwards	possible with altered glass processing	

TF = door panel | W = wall



PAVONE – flush lifting swing door hinge

PAVONE



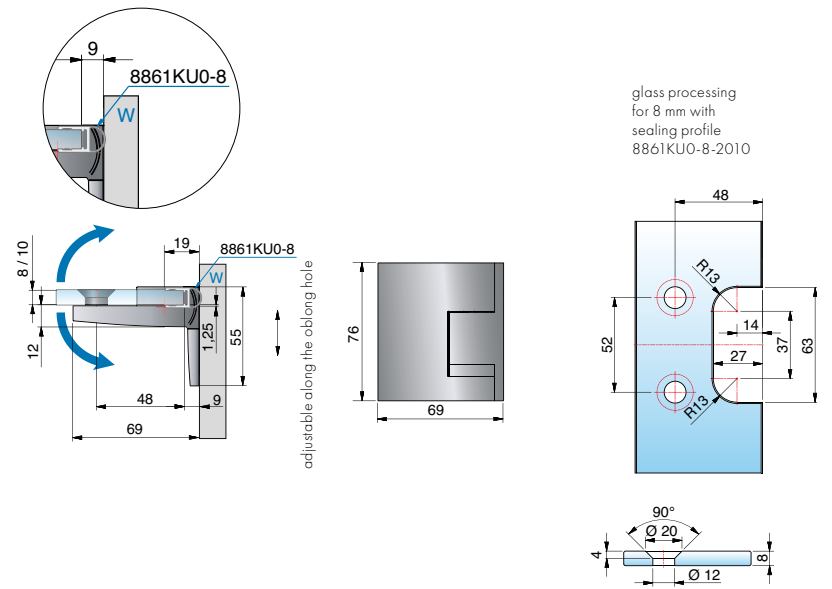
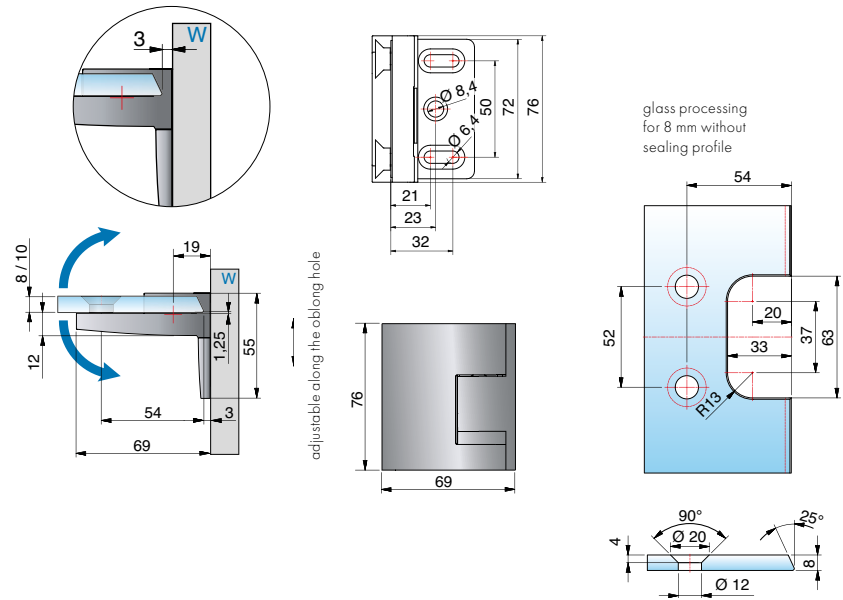
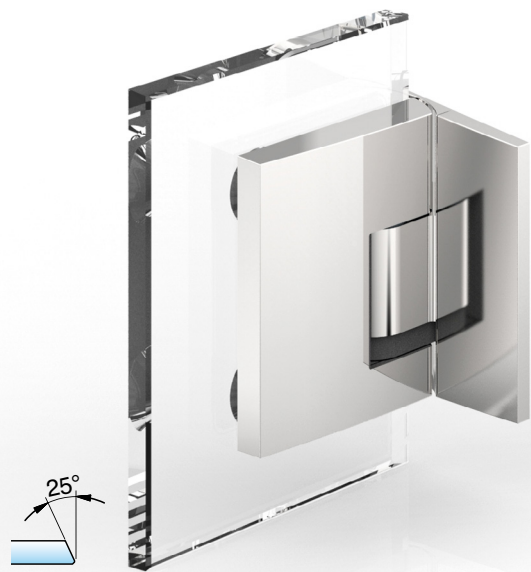
article no.	finish	glass thickness	article description	features	pu/pieces
8391 ZN5-L	glass chrome	8/10 mm	PAVONE – shower swing door hinge	glass fixtures flush, concealed screws with cover plate, point fixture	1/2
8391 ZN1-L	mat chrome		glass-wall 90°	assembly adjustable independent of each other ± 2 mm in any direction, closed position adjustable	
8391 ZNPVD22-L	stainless steel optic		mounted on the left,		
8391 ZNPVD35-L	black matt		opening in- and outwards, wall plate outside		

Attention: Please note the information on page 68!



PAVONE – flush lifting swing door hinge

PAVONE



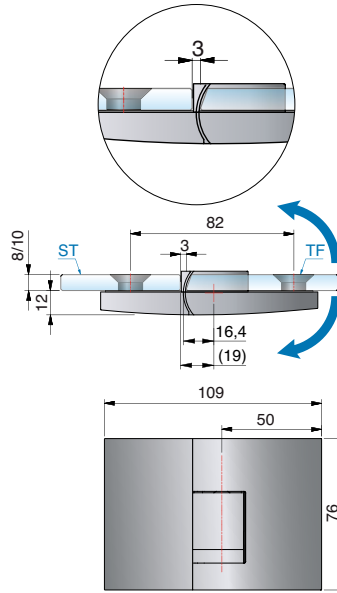
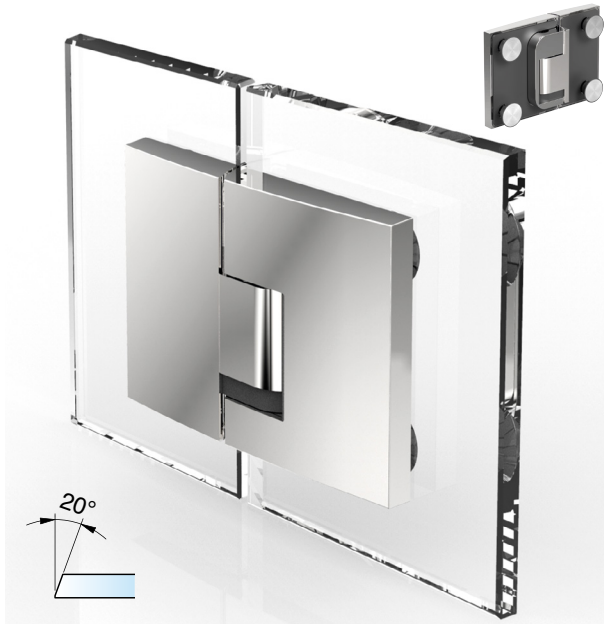
article no.	finish	glass thickness	article description	features	pu/pieces
8391ZN5-R	gloss chrome	8/10 mm	PAVONE – shower swing door hinge	glass fixtures flush, concealed screws with cover plate, point fixture	1/2
8391ZN1-R	matt chrome		glass-wall 90°	assembly adjustable independent of each other ± 2 mm in any	
8391ZNPVD22-R	stainless steel optic		mounted on the right,	direction, closed position adjustable	
8391ZNPVD35-R	black matt		opening in- and outwards wall plate outside		

TF = door panel | W = wall

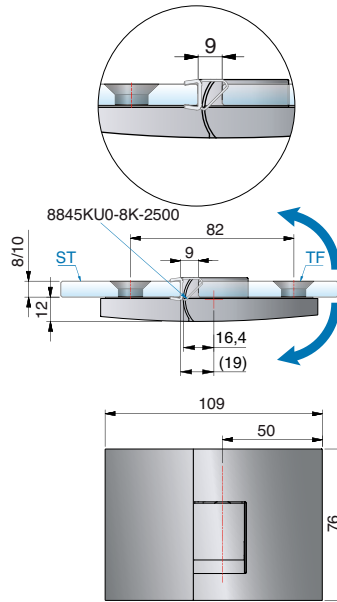
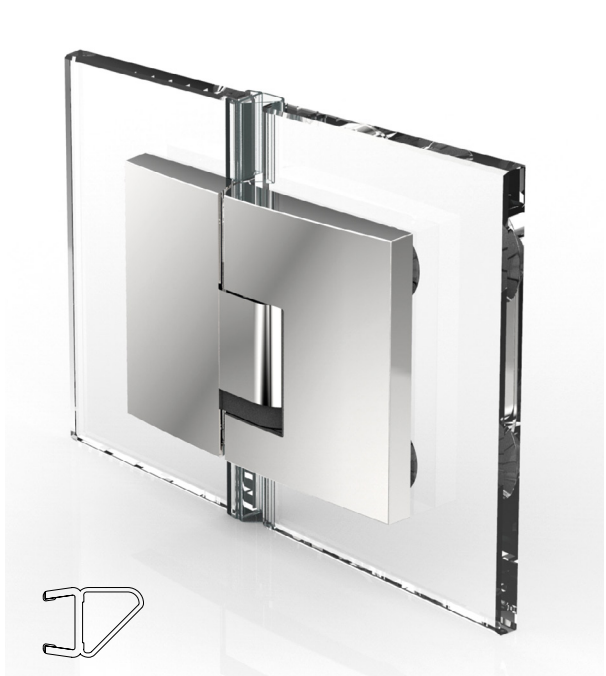
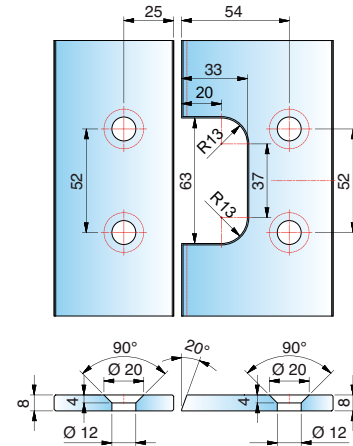


PAVONE – flush lifting swing door hinge

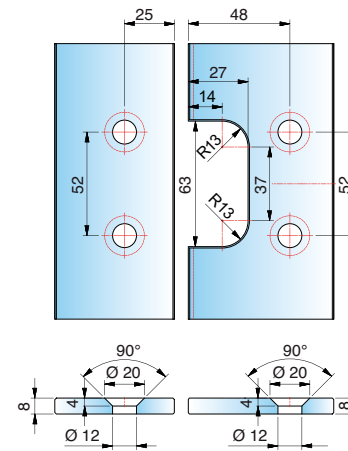
PAVONE



glass processing for 8 mm without sealing profile



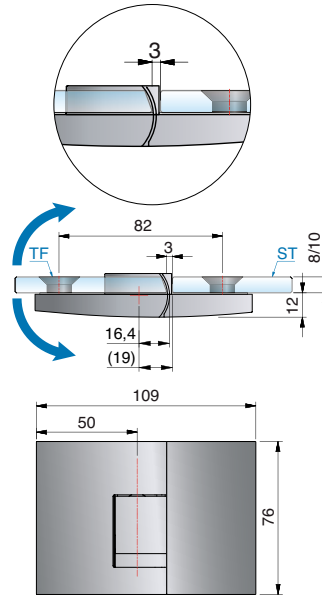
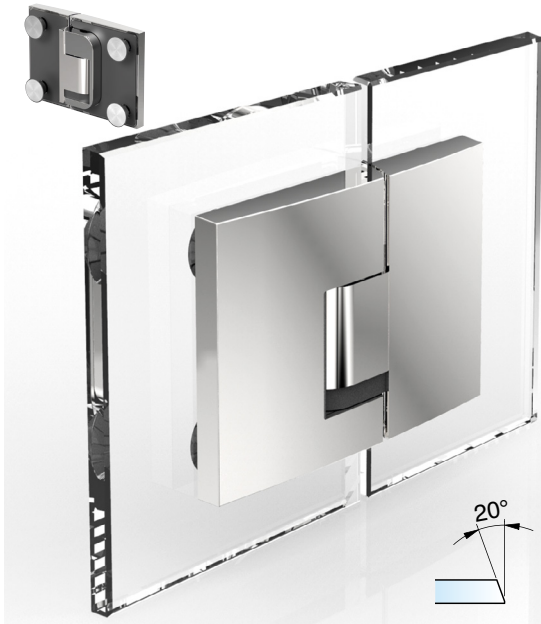
glass processing for 8 mm with sealing profile 8861KU0-8-2010



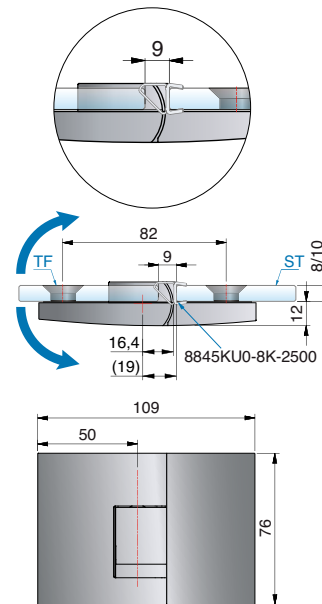
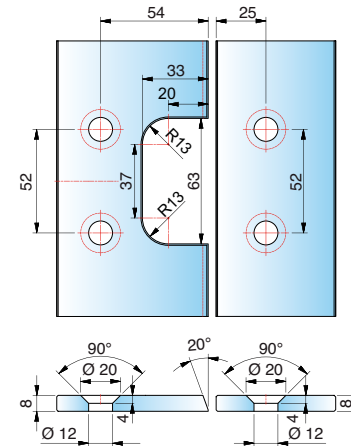
article no.	finish	glass thickness	article description	features	pu/pieces
8392ZN5-L	glass chrome	8/10	PAVONE – shower swing door hinge	glass fixtures flush, concealed screws with cover plate, point fixture	1/2
8392ZN1-L	matt chrome		glass-glass 180°, mounted on the left,	assembly adjustable independent of each other ± 2 mm in any	
8392ZNPVD22-L	stainless steel optic		opening in- and outwards	direction, closed position adjustable	
8392ZNPVD35-L	black matt				

Attention: Please note the information on page 68!

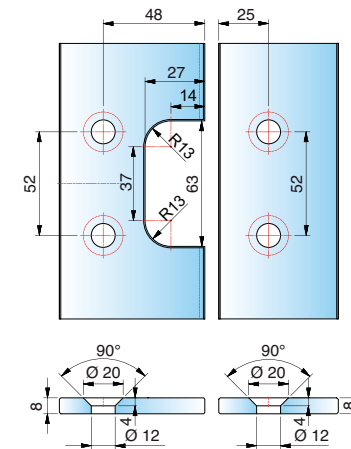
PAVONE – flush lifting swing door hinge



glass processing for 8 mm
without sealing profile



glass processing for 8 mm with
sealing profile 8861KU0-8-2010

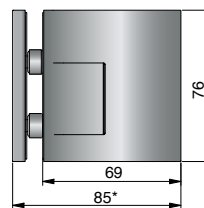
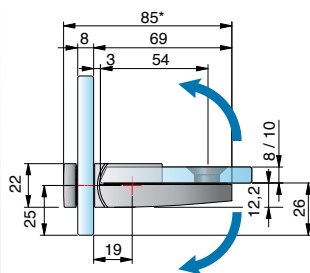
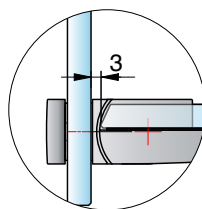
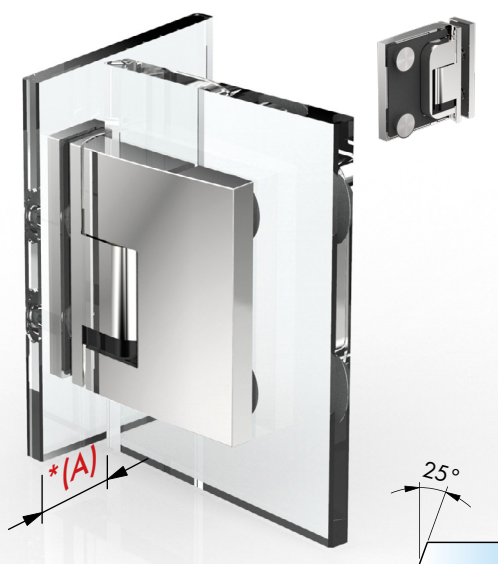


article no.	finish	glass thickness	article description	features	pu/pieces
8392ZN5-R	gloss chrome	8/10	PAVONE – shower swing door hinge	glass fixtures flush, concealed screws with cover plate, point fixture	1/2
8392ZN1-R	matt chrome		glass-glass 180°, mounted on the right,	assembly adjustable independent of each other ± 2 mm in any	
8392ZNPVD22-R	stainless steel optic		opening in- and outwards	direction, closed position adjustable	
8392ZNPVD35-R	black matt				

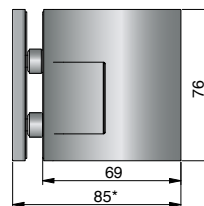
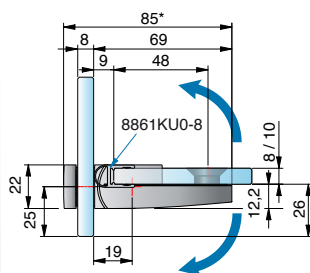
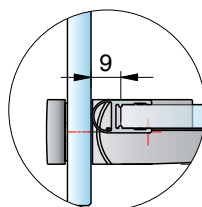
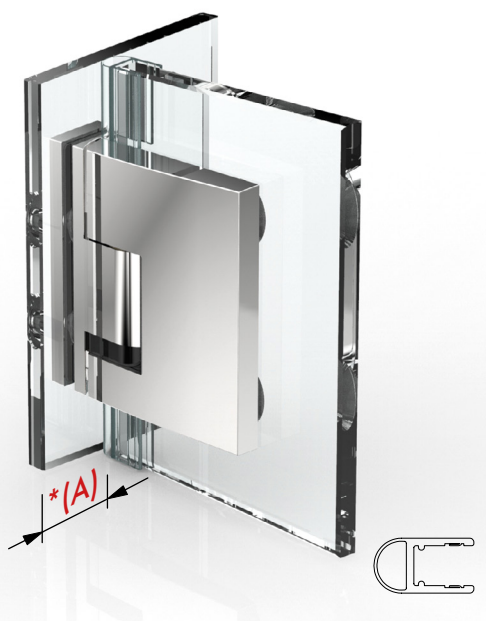
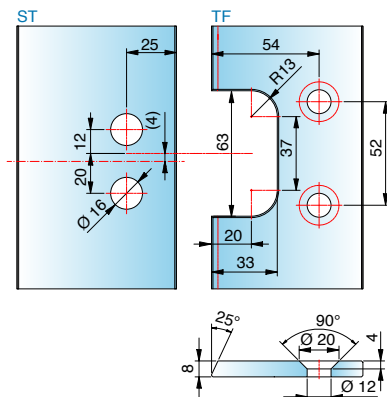
TF = door panel | W = wall

PAVONE – flush lifting swing door hinge

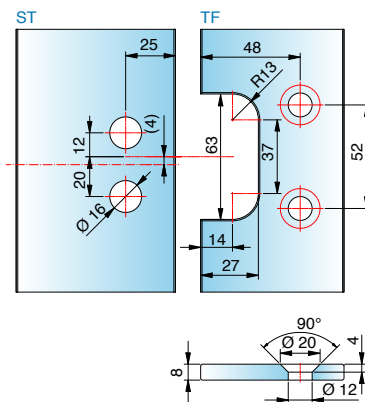
PAVONE



glass processing for 8 mm
without sealing profile



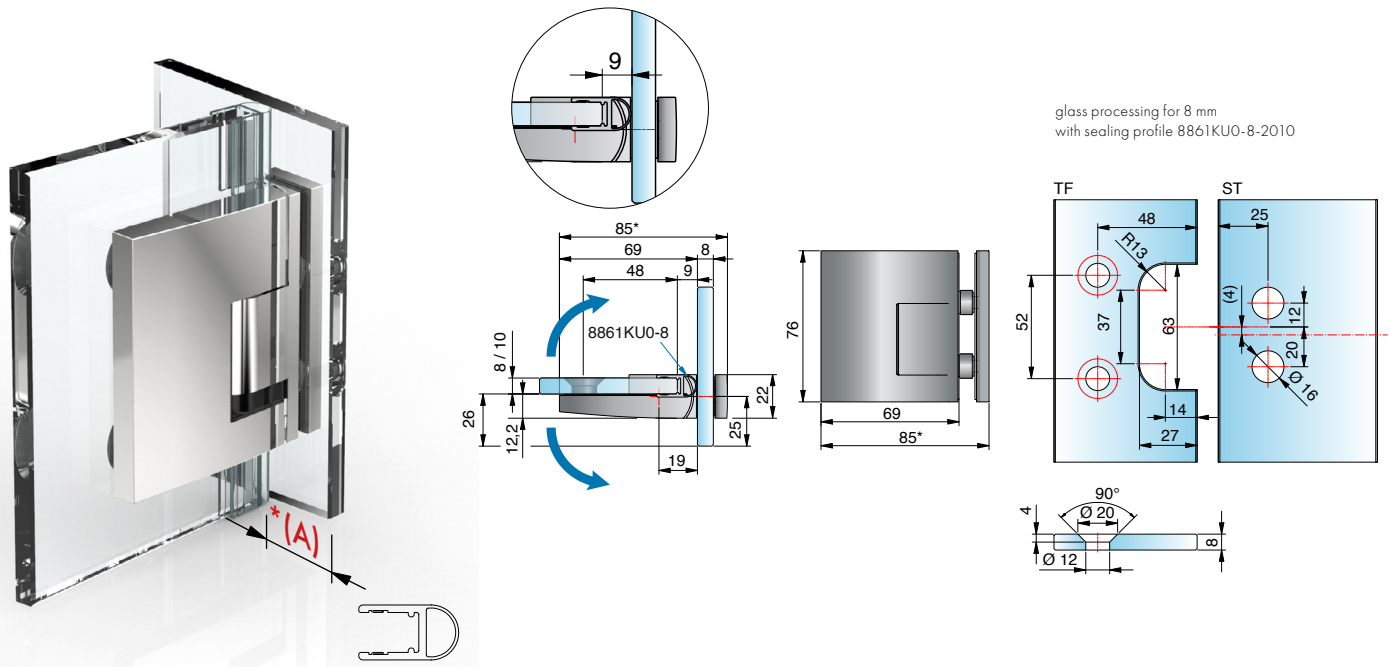
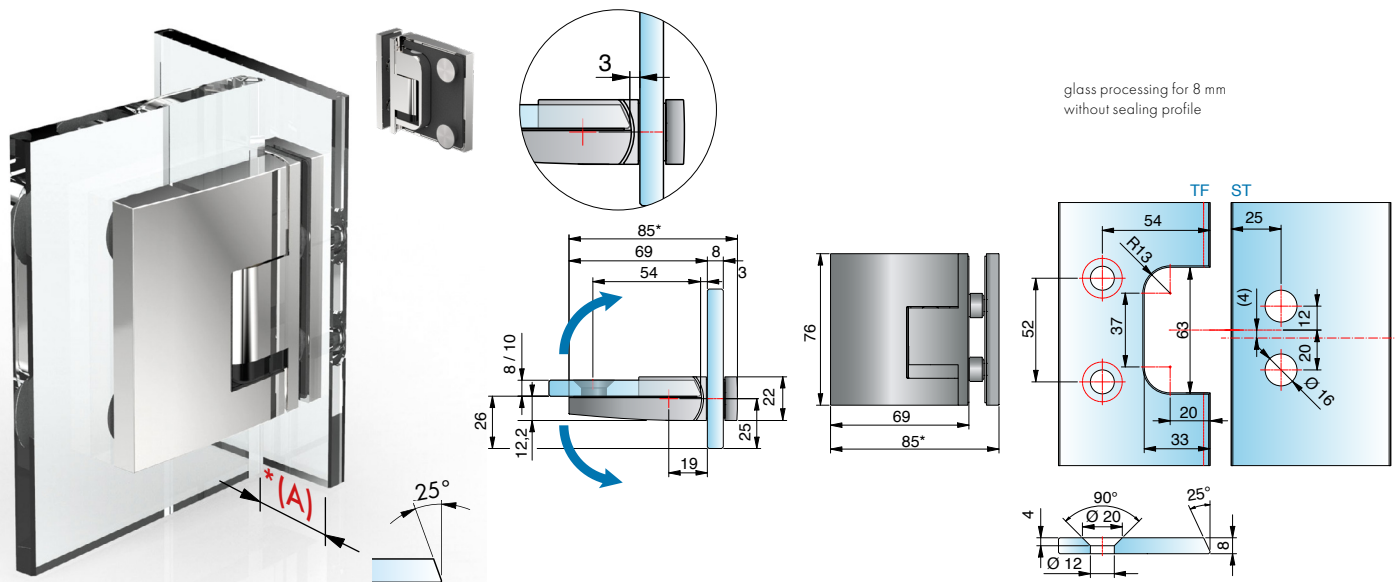
glass processing for 8 mm
with sealing profile 8861KU0-8-2010



article no.	finish	glass thickness	article description	features	pu/pieces
8393ZN5-L	glass chrome	8/10 mm	PAVONE – shower swing door hinge	glass fixtures flush, concealed screws with cover plate, point	1/2
8393ZN1-L	matt chrome		glass-glass 90°, mounted on the left,	fixture assembly adjustable independent of each other ± 2 mm in	
8393ZNPVD22-L	stainless steel optic		opening in- and outwards	any direction, closed position adjustable	
8393ZNPVD35-L	black matt			* offset dimension (A) on the side panel can be determined by the installer	
				max. door width: 750 mm	
				max. door weight: 30 kg	

Attention: Please note the information on page 68!

PAVONE – flush lifting swing door hinge



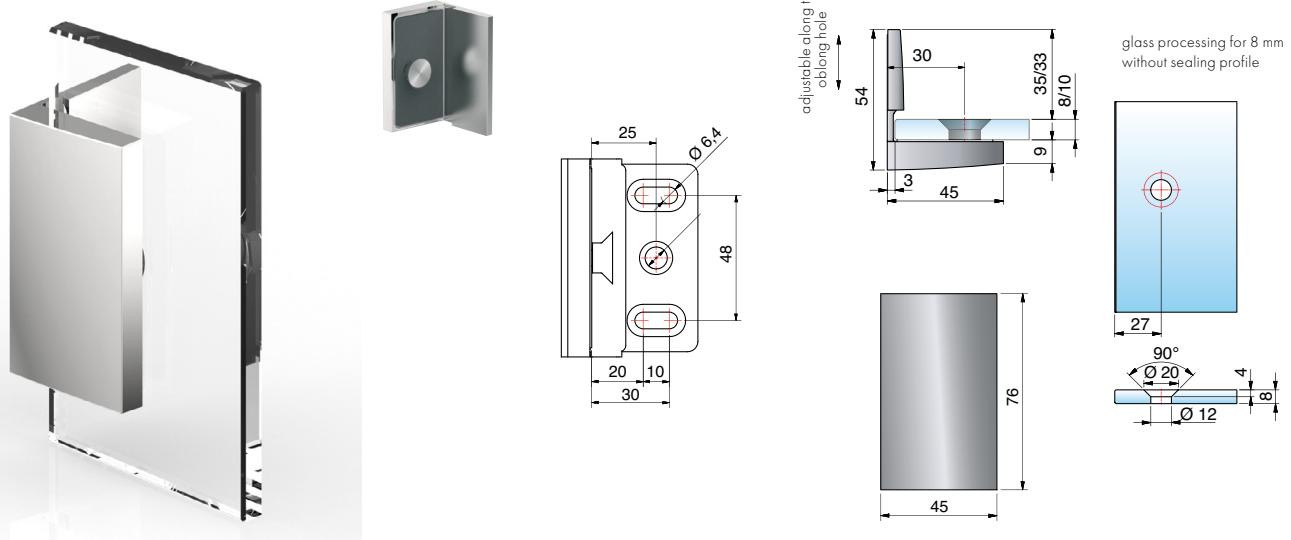
article no.	finish	glass thickness	article description	features	pu/pieces
8393ZN5-R	glass chrome	8/10 mm	PAVONE – shower swing door hinge	glass fixtures flush, concealed screws with cover plate, point fixture	1/2
8393ZN1-R	matt chrome		glass-glass 90°, mounted on the right,	assembly adjustable independent of each other ± 2 mm in any	
8393ZNPVD22-R	stainless steel optic		opening in- and outwards	direction, closed position adjustable	
8393ZNPVD35-R	black matt			* offset dimension (A) on the side panel can be determined by the installer	

max. door width: 750 mm
max. door weight: 30 kg

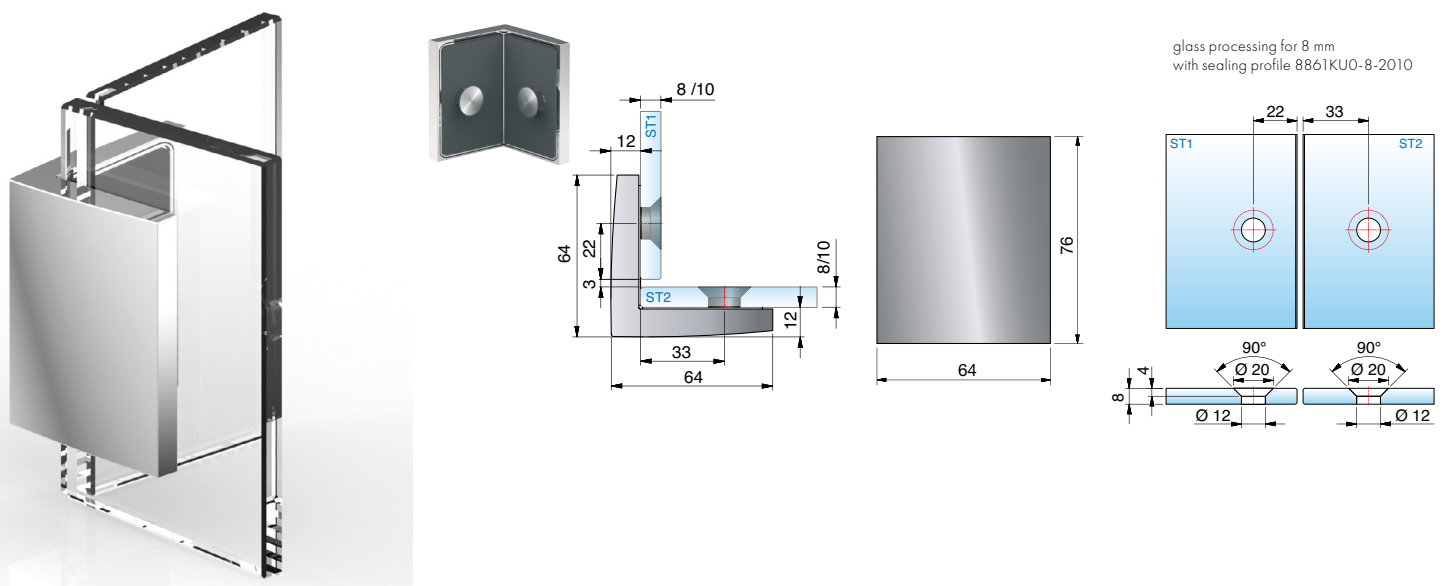
TF = door panel | W = wall

PAVONE – flush lifting swing door hinge

PAVONE



article no.	finish	glass thickness	article description	features	pu/pieces
8398ZN5	glass chrome	8/10 mm	PAVONE – angle bracket	glass mount flush, bracket inside with oblong adjustment,	1/2
8398ZN1	matt chrome		glass-wall 90°	cover plate, point fixtures adjustable ± 2mm in any direction	
8398ZNPVD22	stainless steel optic				
8398ZNPVD35	black matt				

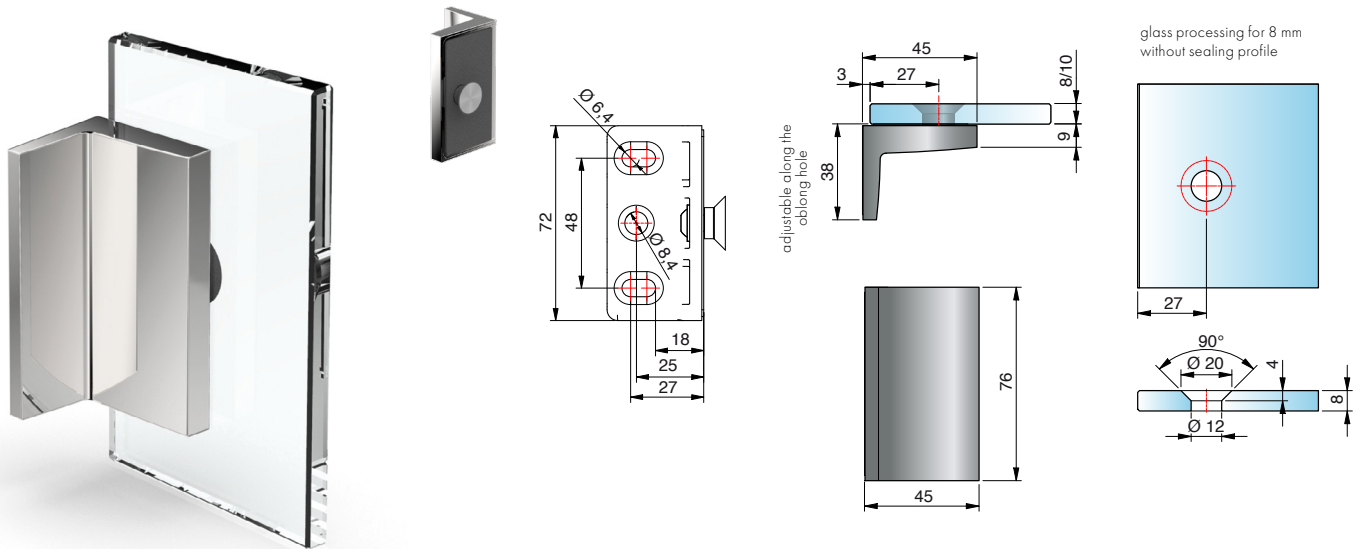


article no.	finish	glass thickness	article description	features	pu/pieces
8399ZN5	glass chrome	8/10 mm	PAVONE – angle bracket	glass mount flush, cover plate, point fixtures adjustable ± 2mm in any	1/2
8399ZN1	matt chrome		glass-glass 90°	direction	
8399ZNPVD22	stainless steel optic				
8399ZNPVD35	black matt				

ST = side panel | TF = door panel | IW = wall



PAVONE – flush lifting swing door hinge



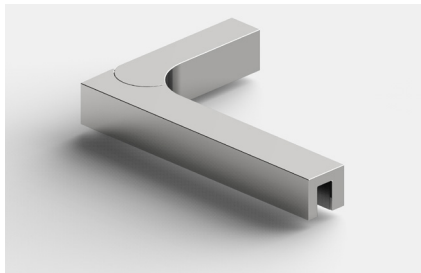
PAVONE

article no.	finish	glass thickness	article description	features	pu/pieces
8397ZN5	gloss chrome	8/10 mm	PAVONE – angle bracket	glass mount flush, bracket inside with oblong adjustment,	1/2
8397ZN1	matt chrome		glass-wall 90°	cover plate, point fixtures adjustable ± 2mm in any direction	
8397ZNPVD22	stainless steel optic				
8397ZNPVD35	black matt				

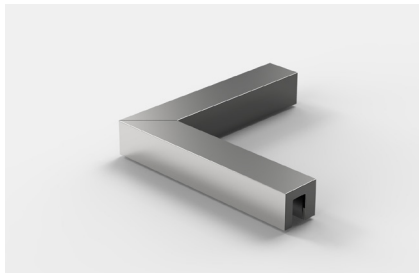
Attention: please take into account when planning!

The hinges lifts the door 6mm when opened. This could lead to a collision with the stabilizer-bar. Here we offer you various options:

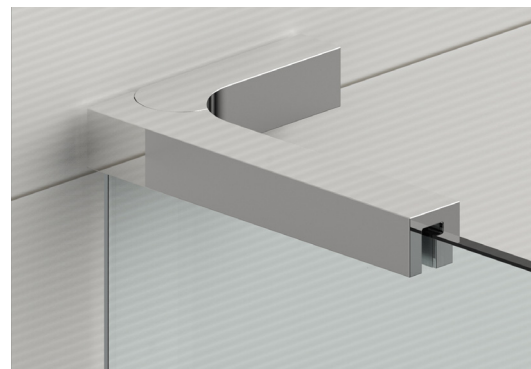
new stabilizer angle brackets



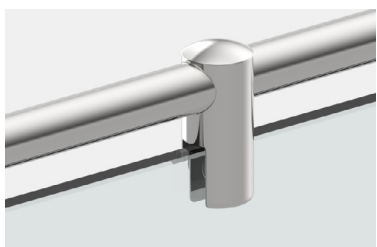
8439ZN_L-180/280 – see page 340



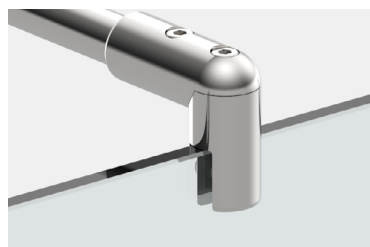
8438ZN5 -150/250 – see page 342



glass connections for railing system

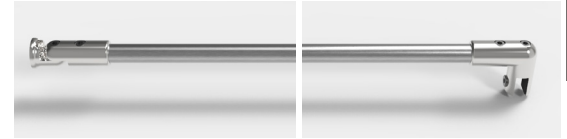


8744ZN5-GTL – see page 330



8744ZN5-GL – see page 330

glass wall stabilizer-bar 45°



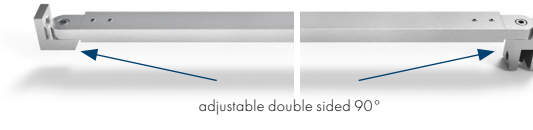
8746ZN_-460 – see page 328



8796ZN_-460 – see page 320



8432MS_
different lengths, see on page 332



8474MS_
different lengths, see on page 334

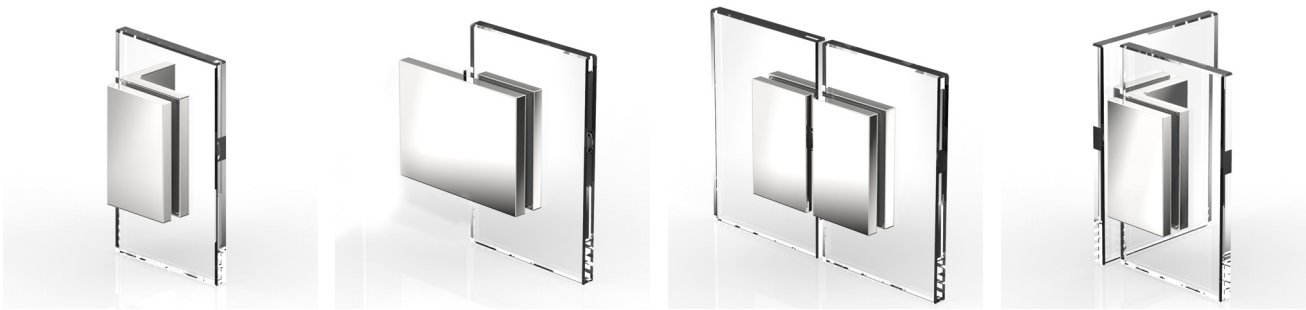
set for flush applications



8471MS7 – see page 323
for 8474MS and 8475MS



8794ZN5-GF – see page 323



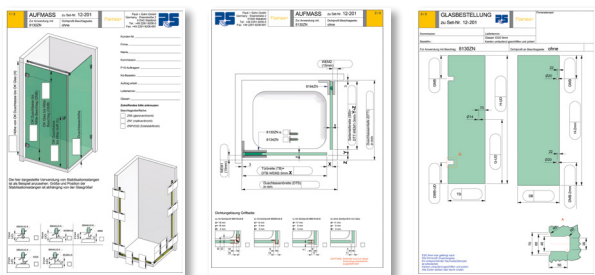
corresponding angle brackets

for FLAMEA⁺ can be found on page 84.



our service for you!

On www.pauli.de you can find many different measurement sheets for all standard installations.



MADE
IN
GERMANY

Black
EDITION

Gold
EDITION



shower swing door hinge FLAMEA⁺



FLAMEA⁺ – uncompromising and strong

MADE
IN
GERMANY

The FLAMEA⁺ series was developed for showers of the top class. the optimum installation situation: glass showers in XL-format. FLAMEA⁺ meets all aesthetic and functional requirements for projects and private homes.

- 90° shower swing door hinge
- self-closing during the last 15 - 20°
- centered pivot-point, therefore usage as swing door possible
- fully adjustable closed position
- loading capacity (2 hinges): 45 kg corresponding to a glass door with the dimension 900 x 2000 mm and a glass thickness of 10 mm
- optimized for installation without sealing profile
- concealed screws
- minimized gap distance
- the durability of the hardware has been tested internally according to DIN EN 14428:2015 5.5.

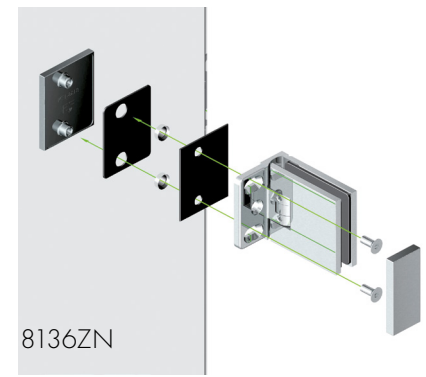
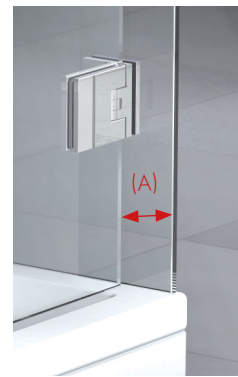


8130ZN



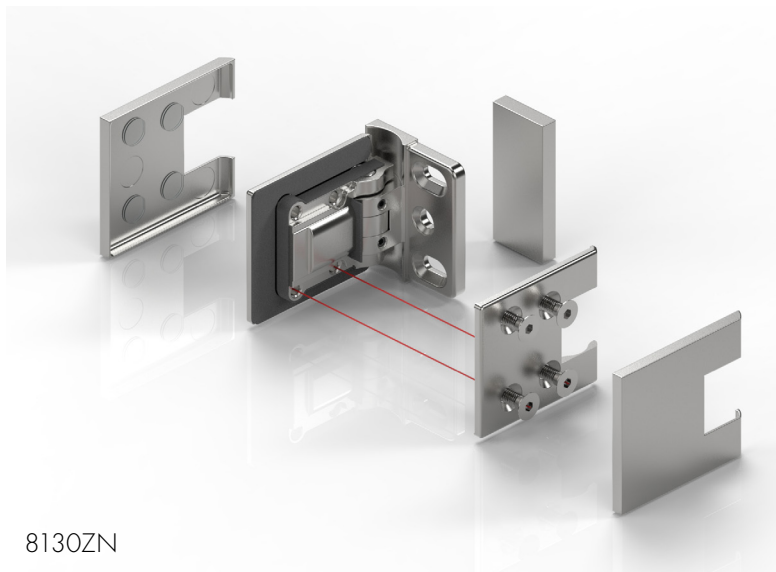
8132ZN

■ finish: gloss nickel

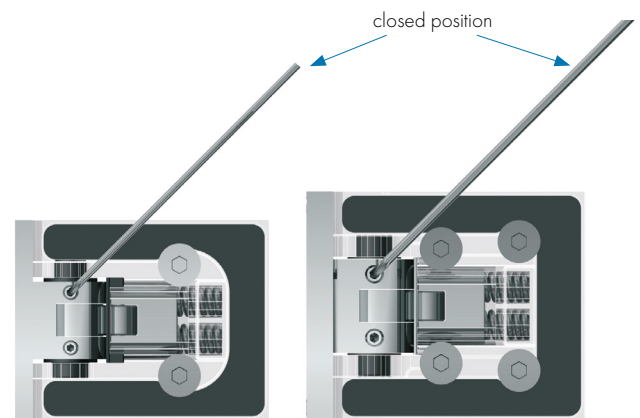


8136ZN

- for glass-glass 90°, only drilled holes are required in the side panel, so that the glass door panel is set inwards and the overhang (A) can be determined by the installer.
- the higher loading capacity allows generous and fascinating glass-situations



8130ZN



8180ZN

8130ZN

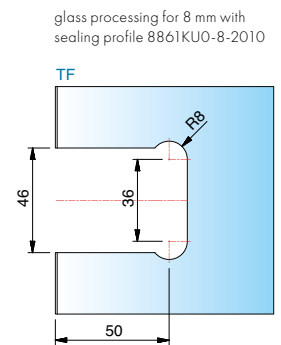
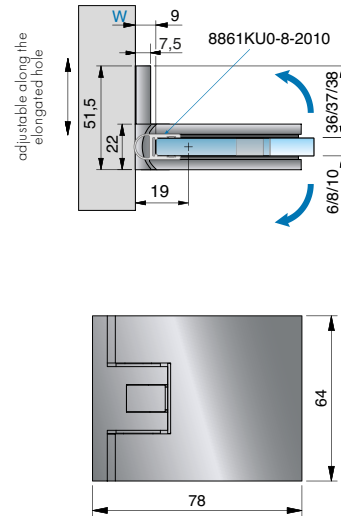
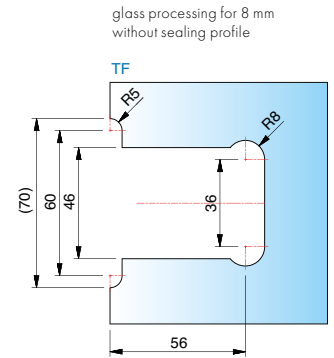
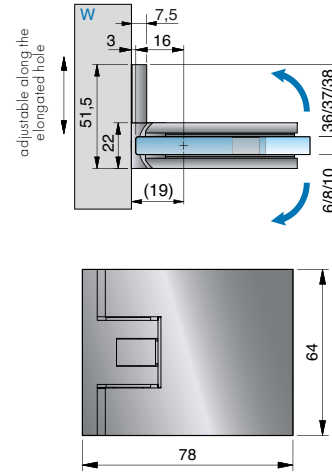
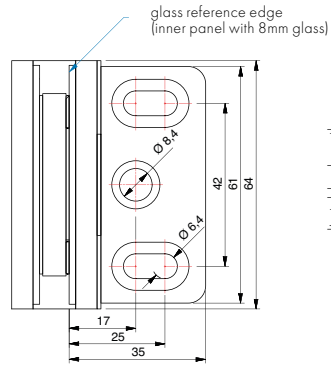
- 10% larger than FLAMEA but with a 25% higher loading capacity
- four fastening screws for a powerful connection
- stable and strong plate for wall-connection
- concealed screws



Please note that the instruction manual can be found on page 382.

shower swing door hinge - FLAMEA+

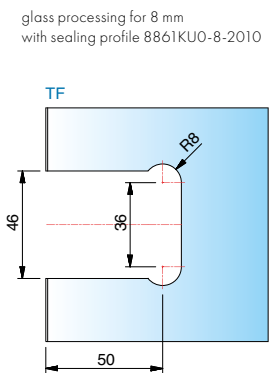
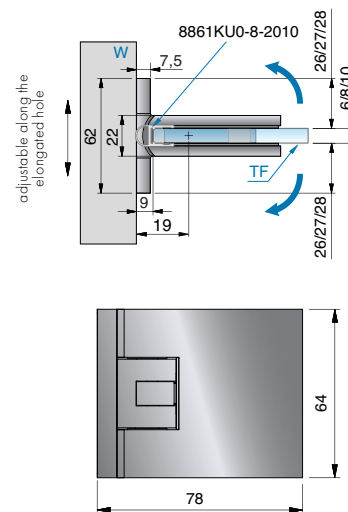
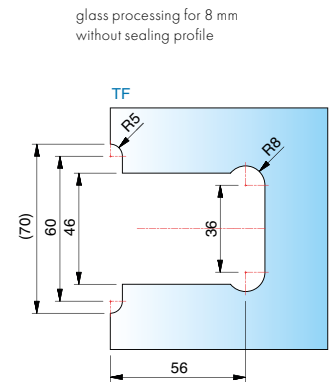
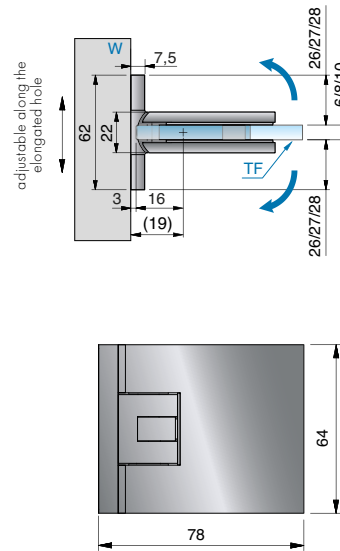
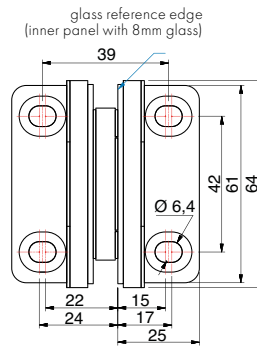
FLAMEA+



article no.	finish	glass thickness	article description	features	pu/pieces
8130ZN5	gloss chrome	6/8/10 mm	shower swing door hinge FLAMEA+ glass-wall 90°	opens in- and outwards 90°, with adjustable closed position, adjustable along the oblong hole, single sided mounting plate, concealed screws shim plates in thicknesses 2/3/5/10 mm can be found on page 74. When using the hinges for 6 or 10 mm glass thickness, please use the insert set Art. No. HZ-SET3 per hinge free of charge.	1/2
8130ZN1	matt chrome				
8130ZN10	gloss nickel				
8130ZNPVD22	stainless steel optic				
8130ZNPVD20	gold optic				
8130ZNPVD35	black matt				
8130ZN135	deep black matt				
8130ZN134	white matt				

shower swing door hinge - FLAMEA⁺

FLAMEA⁺



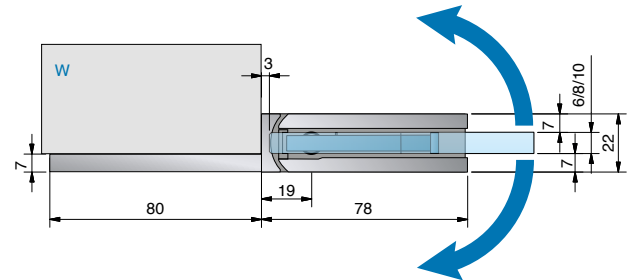
article no.	finish	glass thickness	article description	features	pu/pieces
8134ZN5	gloss chrome	6/8/10 mm	shower swing door hinge FLAMEA ⁺	opens in- and outwards 90°, with adjustable closed position, adjustable along the oblong hole, double sided mounting plate, concealed screws shim plates in thicknesses 2/3/5/10 mm can be found on page 75. When using the hinges for 6 or 10 mm glass thickness, please use the insert set Art. No. HZ-SET3 per hinge free of charge.	1/2
8134ZN1	matt chrome		glass-wall 90°		
8134ZN10	gloss nickel				
8134ZNPVD22	stainless steel optic				
8134ZNPVD20	gold optic				
8134ZNPVD35	black matt				

ST = side panel | TF = door panel | W = wall

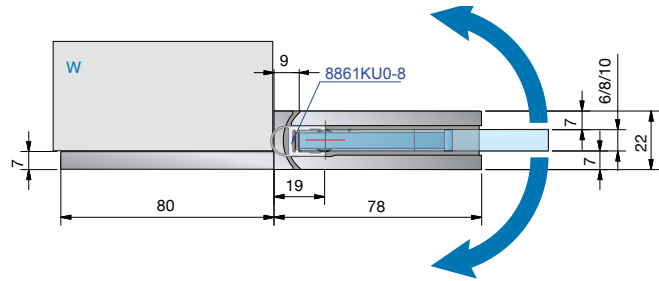
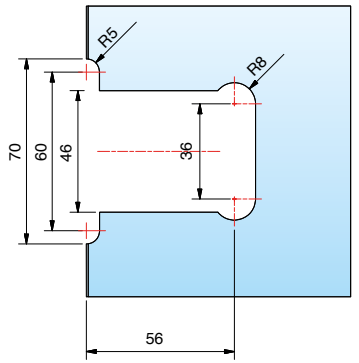
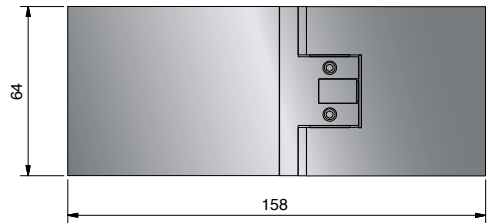


shower swing door hinge - FLAMEA+

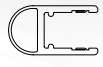
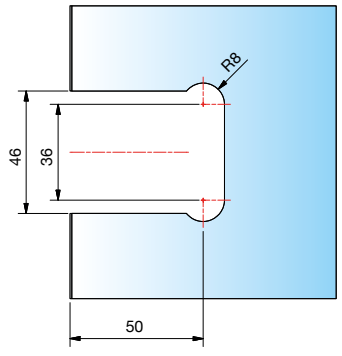
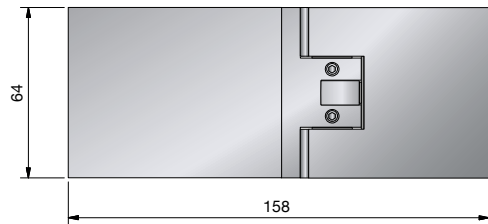
FLAMEA+

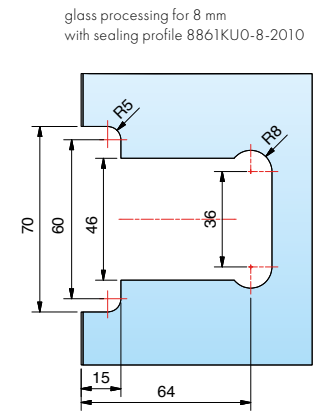
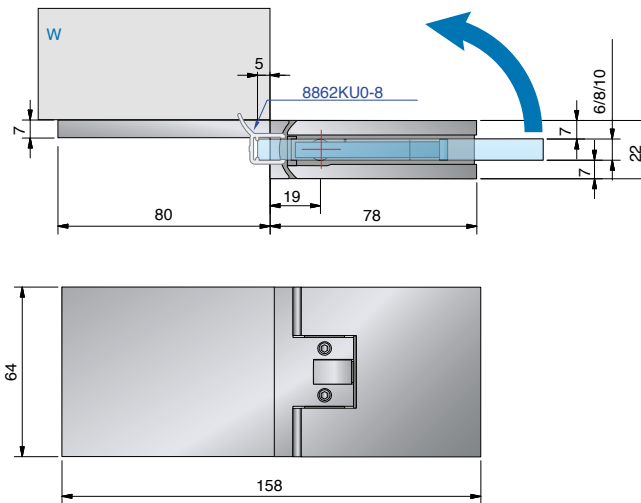


glass processing for 8 mm without sealing profile



glass processing for 8 mm with sealing profile 8857KU0-8-2010

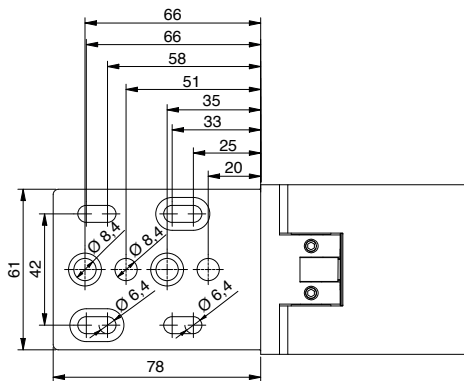




FLAMEA⁺

article no.	finish	glass thickness	article description	features	pu/pieces
8133ZN5	gloss chrome	6/8/10 mm	shower swing door hinge FLAMEA ⁺	opens in- and outwards 90° depending on sealing profile, with adjustable closed position, adjustable along the oblong hole, concealed screws max door panel width 900 mm, loading capacity (2 hinges): 40 kg when using max. 900 x 2200 x 8 mm When using the hinges for 6 or 10 mm glass thickness, please use the insert set Art. No. HZ-SET3 per hinge free of charge.	1/2
8133ZN1	matt chrome		glass-wall 180°		
8133ZN10	gloss nickel				
8133ZNPVD22	stainless steel optic				
8133ZNPVD20	gold optic				
8133ZNPVD35	black matt				

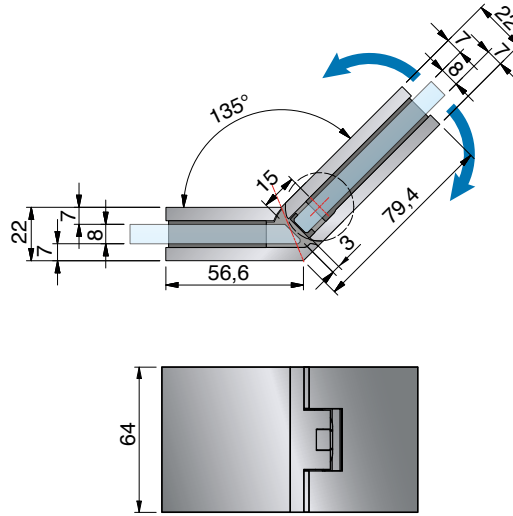
mounting bracket for 8133ZN



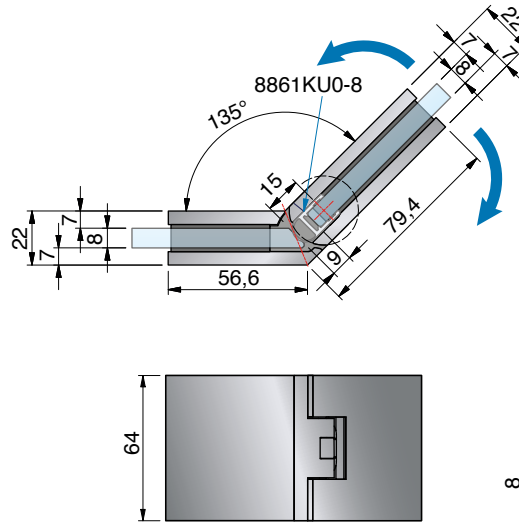
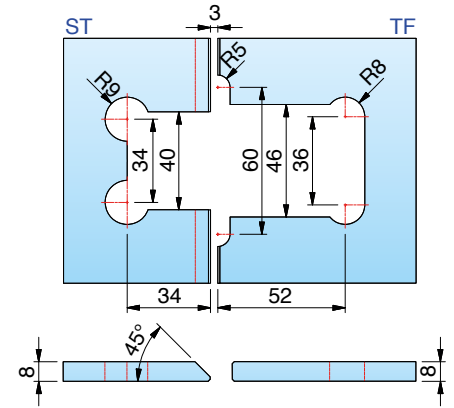
ST = side panel | TF = door panel | W = wall

shower swing door hinge - FLAMEA+

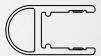
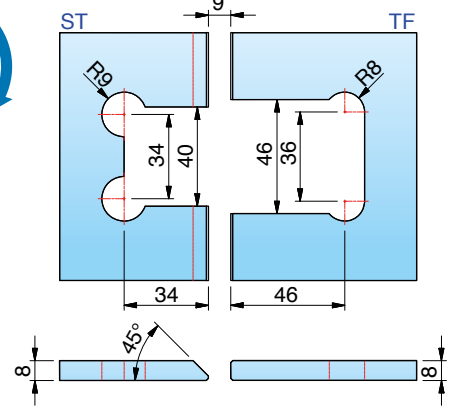
FLAMEA+



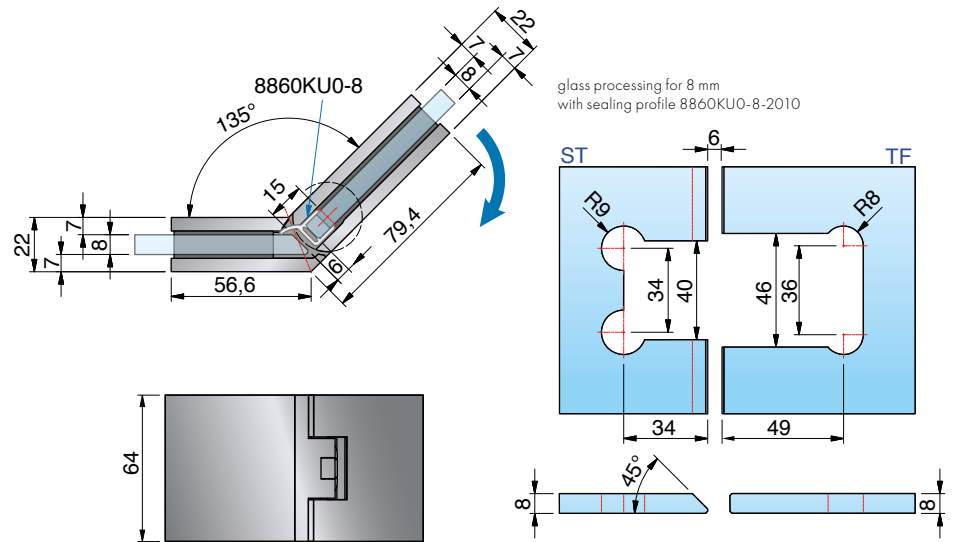
glass processing for 8 mm
without sealing profile



glass processing for 8 mm
with sealing profile 8861KU0-8-2010



shower swing door hinge - FLAMEA⁺



FLAMEA⁺

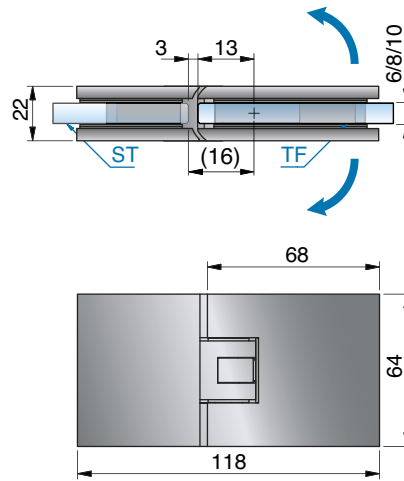
article no.	finish	glass thickness	article description	features	pu/pieces
8131ZN5	gloss chrome	6/8/10 mm	shower swing door hinge FLAMEA ⁺	opens in- and outwards 90° depending on sealing profile, with adjustable closed position, concealed screws with cover plate When using the hinges for 6 or 10 mm glass thickness, please use the insert set Art. No. HZ-SET4 per hinge free of charge.	1/2
8131ZN1	matt chrome		glass-glass 135°		
8131ZN10	gloss nickel				
8131ZNPVD22	stainless steel optic				
8131ZNPVD20	gold optic				
8131ZNPVD35	black matt				

ST = side panel | TF = door panel | W = wall

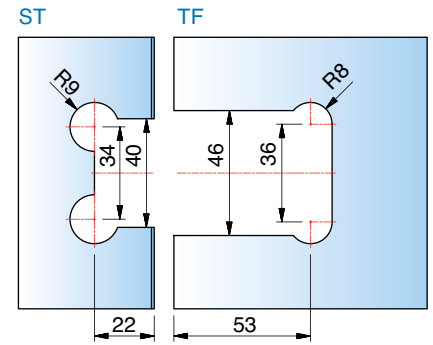


shower swing door hinge - FLAMEA+

FLAMEA+

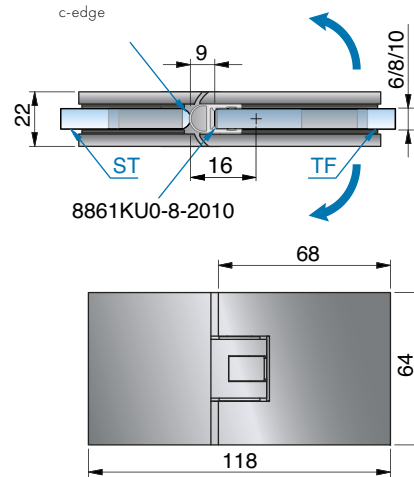


glass processing for 8 mm
without sealing profile

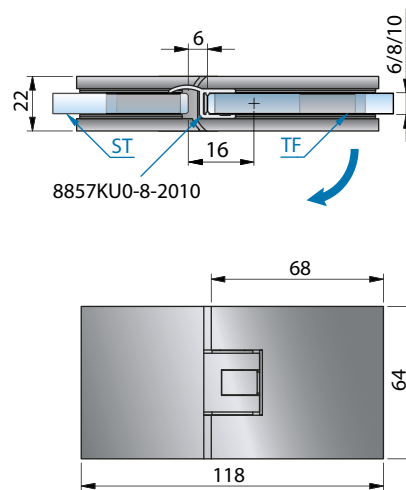
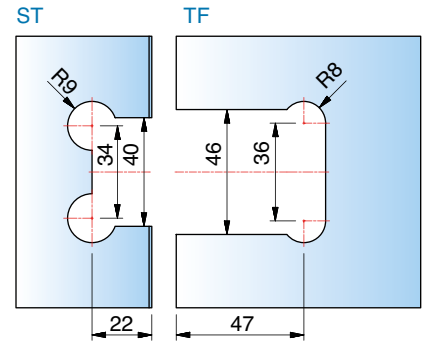


ST = side panel | TF = door panel | W = wall

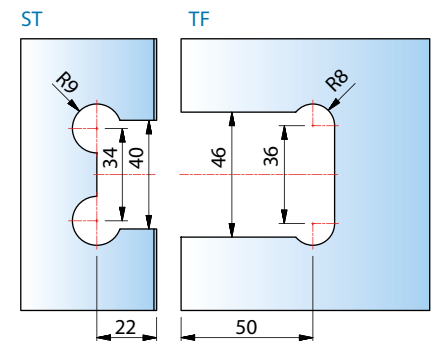
shower swing door hinge - FLAMEA⁺



glass processing for 8 mm
with sealing profile 8861KU0-8-2010



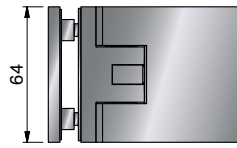
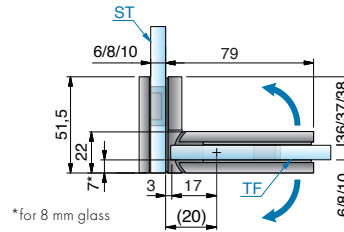
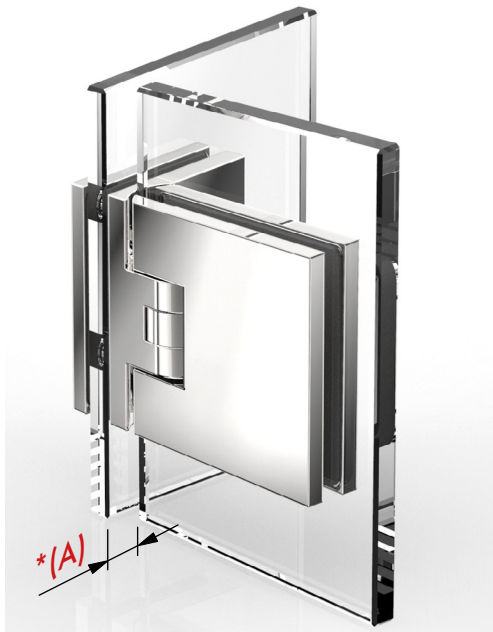
glass processing for 8 mm
with sealing profile 8857KU0-8-2010



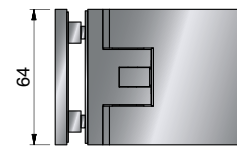
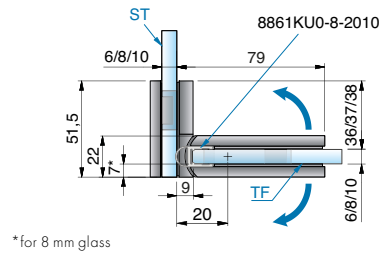
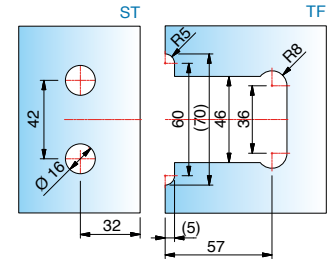
article no.	finish	glass thickness	article description	features	pu/pieces
8132ZN5	gloss chrome	6/8/10 mm	shower swing door hinge FLAMEA ⁺	opens in- and outwards 90° depending on sealing profile, with adjustable closed position, concealed screws with cover plate <i>When using the hinges for 6 or 10 mm glass thickness, please use the insert set Art. No. HZ-SET4 per hinge free of charge.</i>	1/2
8132ZN1	matt chrome		glass-glass 135°		
8132ZN10	gloss nickel				
8132ZNPVD22	stainless steel optic				
8132ZNPVD20	gold optic				
8132ZNPVD35	black matt				
8132ZN135	deep black matt				
8132ZN134	white matt				

shower swing door hinge - FLAMEA⁺

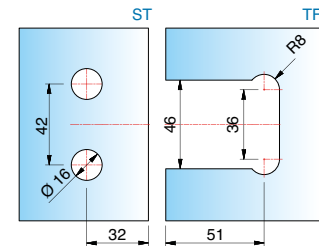
FLAMEA⁺



glass processing for 8 mm
without sealing profile



glass processing for 8 mm
with sealing profile 8861KU0-8-2010

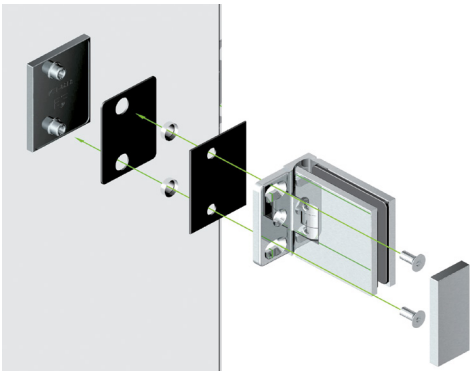


article no.	finish	glass thickness	article description	features	pu/pieces
8136ZN5	gloss chrome	6/8/10 mm	shower swing door hinge FLAMEA ⁺	opens in- and outwards 90°, with adjustable closed position,	1/2
8136ZN1	mat chrome		glass-glass 90°	concealed screws with cover plate	
8136ZN10	gloss nickel			* offset dimension (A) on the side panel can be determined by the installer	
8136ZNPVD22	stainless steel optic			When using the hinges for 6 or 10 mm glass thickness, please use the insert set Art. No. HZ-SET4 per hinge free of charge.	
8136ZNPVD20	gold optic				
8136ZNPVD35	black matt				
8136ZN135	deep black matt				
8136ZN134	white mat				

ST = side panel | TF = door panel | W = wall

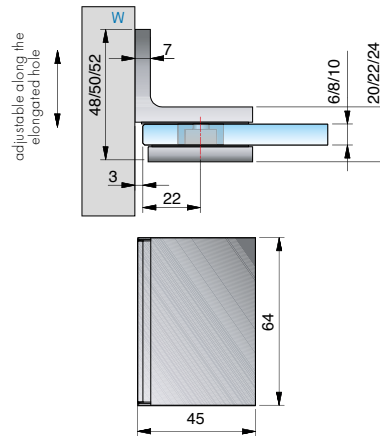
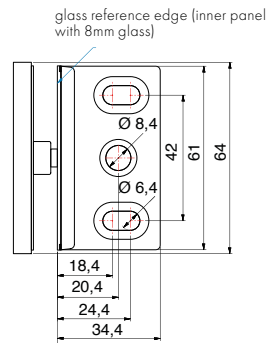


- for glass-glass 90°, only drilled holes are required in the side panel, so that the glass door panel is set inwards and the overhang (A) can be determined by the installer.

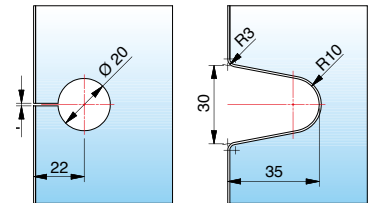


angle bracket - FLAMEA⁺

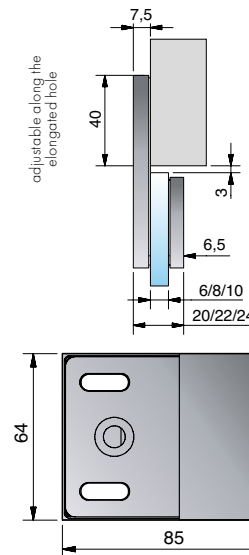
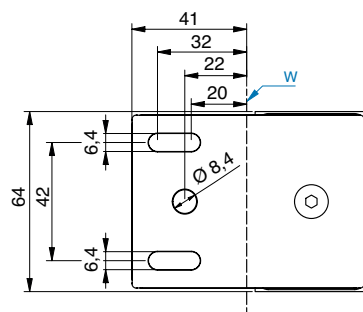
FLAMEA⁺



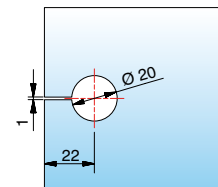
glass processing for 6/8/10 mm hole \varnothing 20 mm or edge recess R3.5



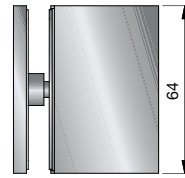
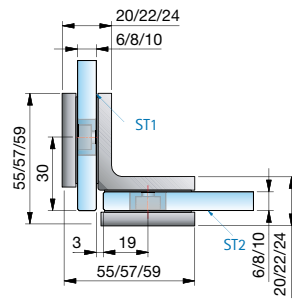
article no.	finish	glass thickness	article description	features	pu/pieces
8194ZN5	gloss chrome	6/8/10 mm	angle bracket FLAMEA ⁺	adjustable along the oblong hole,	1/2
8194ZN1	mat chrome		glass-wall 90°	concealed screws	
8194ZN10	gloss nickel				
8194ZNPVD22	stainless steel optic				
8194ZNPVD20	gold optic				
8194ZNPVD35	black matt				
8194ZN135	deep black matt				
8194ZN134	white matt				



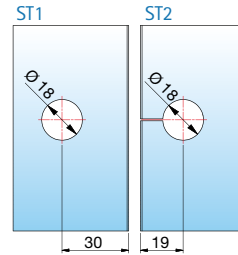
glass processing for 8/10 mm



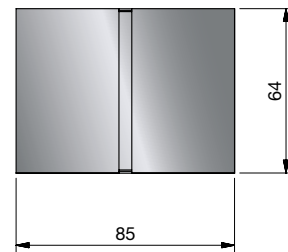
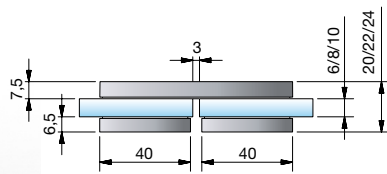
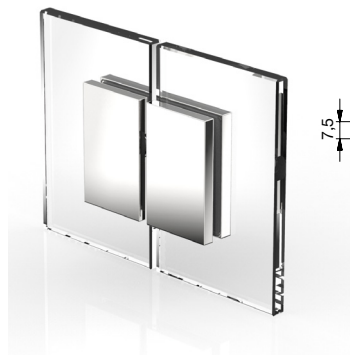
article no.	finish	glass thickness	article description	features	pu/pieces
8193ZN5	gloss chrome	6/8/10 mm	angle bracket FLAMEA ⁺	adjustable along the oblong hole,	1/2
8193ZN1	mat chrome		glass-wall 180°	concealed screws	
8193ZN10	gloss nickel				
8193ZNPVD22	stainless steel optic				
8193ZNPVD20	gold optic				
8193ZNPVD35	black matt				



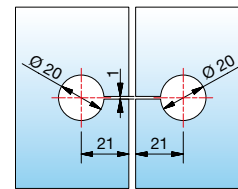
glass processing for 8 mm



article no.	finish	glass thickness	article description	features	pu/pieces
8196ZN5	gloss chrome	6/8/10 mm	angle bracket FLAMEA ⁺	concealed screws	1/2
8196ZN1	gloss nickel		glass-glass 90°		
8196ZN10	gloss nickel				
8196ZNPVD22	stainless steel optic				
8196ZNPVD20	gold optic				
8196ZNPVD35	black matt				
8196ZN135	deep black matt				



glass processing for 8/10 mm

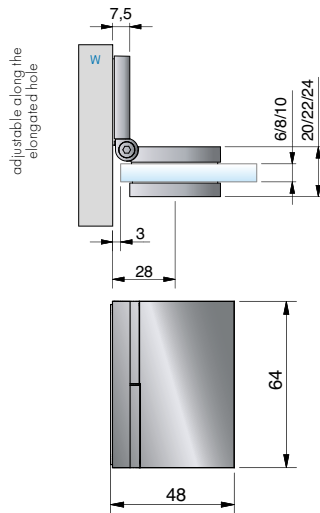
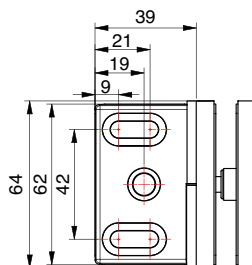


article no.	finish	glass thickness	article description	features	pu/pieces
8191ZN5	gloss chrome	6/8/10 mm	angle bracket FLAMEA ⁺	concealed screws	1/2
8191ZN1	gloss nickel		glass-glass 180°		
8191ZN10	gloss nickel				
8191ZNPVD22	stainless steel optic				
8191ZNPVD20	gold optic				
8191ZNPVD35	black matt				

ST = side panel | TF = door panel | W = wall

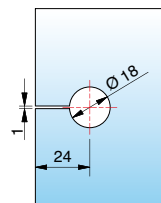
angle bracket - FLAMEA+

FLAMEA+



glass processing for 8 mm glass

with other angles the miter angle and/or hole distance is changing according to table.



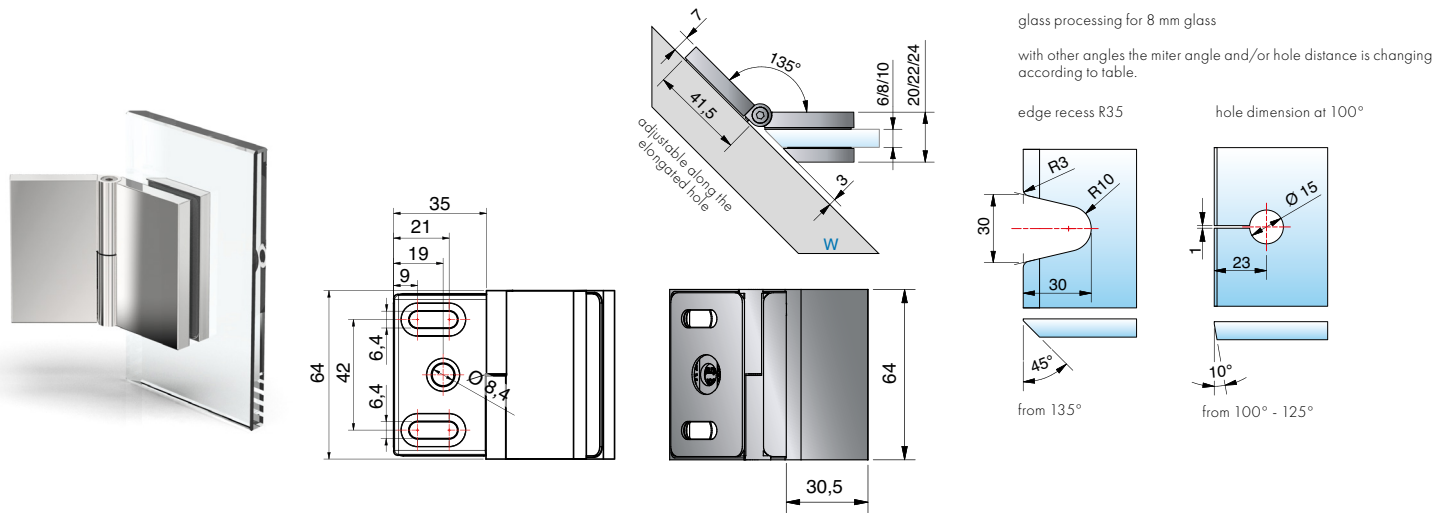
article no.	finish	glass thickness	article description	features	pu/pieces
8199ZN5	gloss chrome	6/8/10 mm	angle bracket FLAMEA+	degree of angle is fully adjustable between 60° and 100°, concealed screws	1/2
8199ZN1	matte chrome		glass-wall 90°		
8199ZN10	gloss nickel				
8199ZNPVD22	stainless steel optic				
8199ZNPVD20	gold optic				
8199ZNPVD35	black matt				

miter angle and hole distances for **8199ZN**

corner	hole distances from glass edge	miter angle	remarks
60°	33 mm	30°	-
65°	31 mm	25°	-
70°	30 mm	20°	-
75°	28 mm	15°	-
80°	27 mm	10°	-
85°	26 mm	5°	-
90°	24 mm	without miter angle	hole slotted
95°	23 mm	5°	hole slotted
100°	22 mm	10°	hole slotted



ST = side panel | TF = door panel | W = wall



glass processing for 8 mm glass

with other angles the miter angle and/or hole distance is changing according to table.

edge recess R35

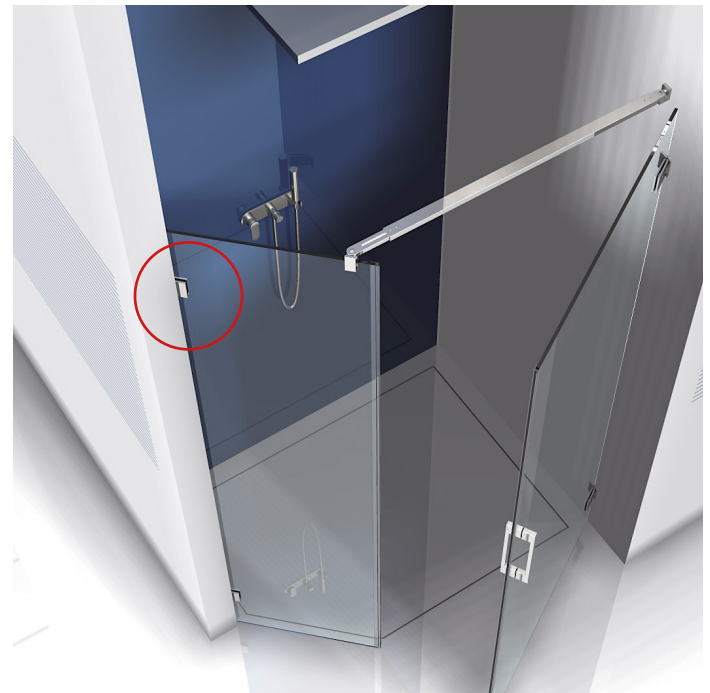
hole dimension at 100°

from 135°

from 100° - 125°

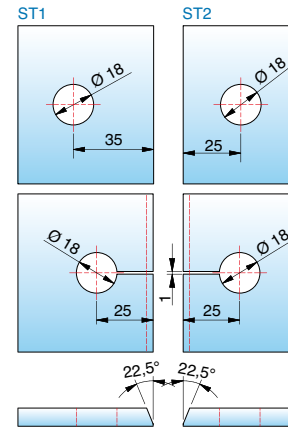
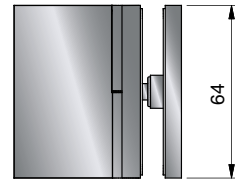
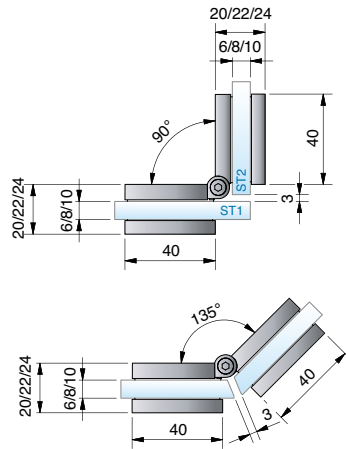
article no.	finish	glass thickness	article description	features	pu/pieces
8189ZN5	gloss chrome	6/8/10 mm	angle bracket FLAMEA ⁺	degree of angle is fully adjustable between 100° and 135°, concealed screws	1/2
8189ZN1	matte chrome		glass-wall		
8189ZN10	gloss nickel				
8189ZNPVD22	stainless steel optic				
8189ZNPVD20	gold optic				
8189ZNPVD35	black matt				

corner	hole distances from glass edge	miter angle	remarks
100°	23 mm	10°	hole slotted
105°	23 mm	15°	hole slotted
110°	22 mm	20°	hole slotted
115°	22 mm	25°	hole slotted
120°	21 mm	30°	hole slotted
125°	21 mm	35°	hole slotted
130°	-	40°	edge recess R30
135°	-	45°	edge recess R30



ST = side panel | TF = door panel | W = wall

angle bracket - FLAMEA⁺



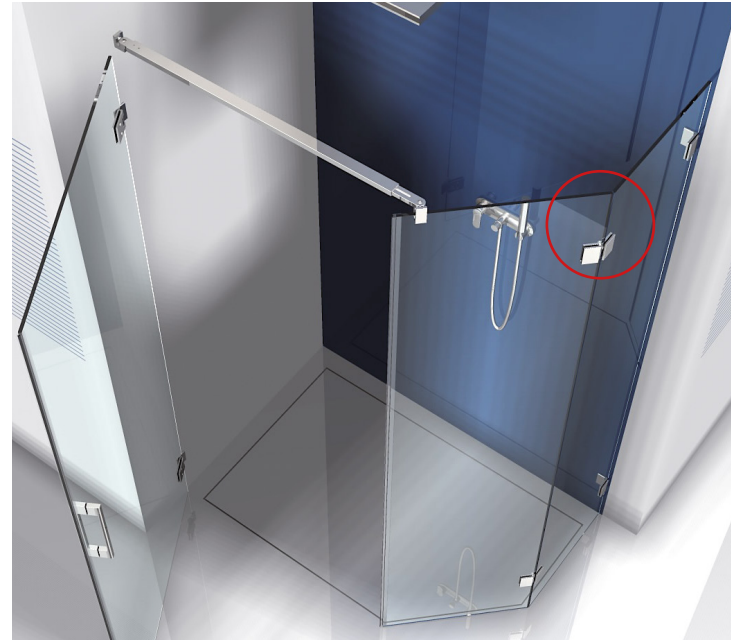
glass processing for 8 mm glass

with other angles the miter angle and/or hole distance is changing according to table.

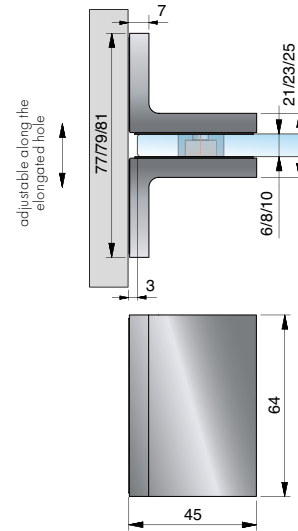
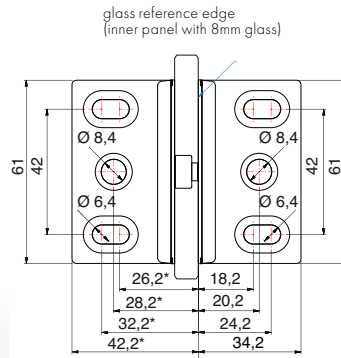
article no.	finish	glass thickness	article description	features	pu/pieces
8198ZN5	gloss chrome	6/8/10 mm	angle bracket FLAMEA ⁺	degree of angle is fully adjustable between 80° and 180°, concealed screws	1/2
8198ZN1	mat chrome		glass-glass		
8198ZN10	gloss nickel				
8198ZNPVD22	stainless steel optic				
8198ZNPVD20	gold optic				
8198ZNPVD35	black matt				

miter angle and hole distances for 8198ZN

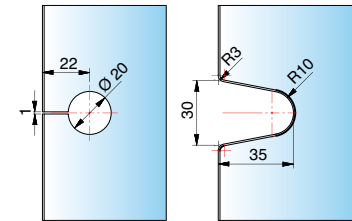
corner	hole distances from glass edge	miter angle	remarks
80°	36 mm	50°	-
85°	35 mm	47,5°	-
90°	33 mm	45°	-
95°	32 mm	42,5°	-
100°	31 mm	40°	hole slotted
105°	30 mm	37,5°	hole slotted
110°	29 mm	35°	hole slotted
115°	28 mm	32,5°	hole slotted
120°	28 mm	30°	hole slotted
125°	27 mm	27,5°	hole slotted
130°	26 mm	25°	hole slotted
135°	25 mm	22,5°	hole slotted
140°	25 mm	20°	hole slotted
145°	24 mm	17,5°	hole slotted
150°	23 mm	15°	hole slotted
155°	23 mm	12,5°	hole slotted
160°	22 mm	10°	hole slotted
165°	22 mm	7,5°	hole slotted
170°	21 mm	5°	hole slotted
175°	20 mm	0°	hole slotted
180°	20 mm	0°	hole slotted



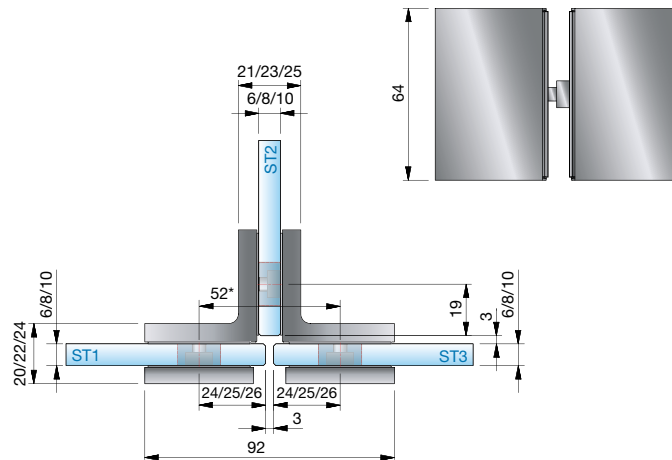
angle bracket - FLAMEA+



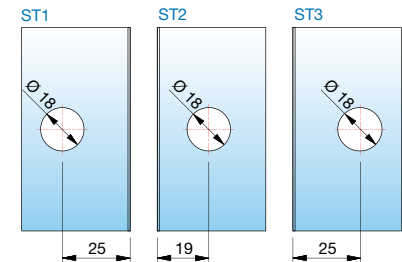
glass processing for 8 mm glass
hole \varnothing 20 mm or edge recess R3.5



article no.	finish	glass thickness	article description	features	pu/pieces
8195ZN5	gloss chrome	6/8/10 mm	angle bracket FLAMEA+	double-sided fastening brackets, concealed screws	1/2
8195ZN1	matt chrome		wall-glass-wall 90°		
8195ZN10	gloss nickel				
8195ZNPVD22	stainless steel optic				
8195ZNPVD20	gold optic				
8195ZNPVD35	black matt				

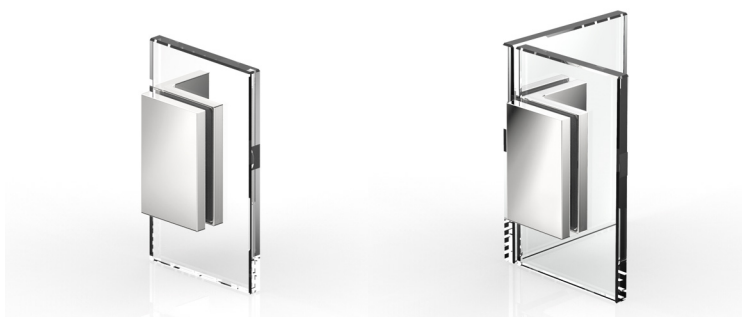


glass processing for 8 mm glass



article no.	finish	glass thickness	article description	features	pu/pieces
8197ZN5	gloss chrome	6/8/10 mm	angle bracket FLAMEA+	concealed screws	1/2
8197ZN1	matt chrome		glass-glass 90°		
8197ZN10	gloss nickel				
8197ZNPVD22	stainless steel optic				
8197ZNPVD20	gold optic				
8197ZNPVD35	black matt				

ST = side panel | TF = door panel | W = wall



corresponding angle brackets

for FLAMEA+ Sauna can be found on page 97.

MADE
IN
GERMANY

Black
EDITION

Gold
EDITION





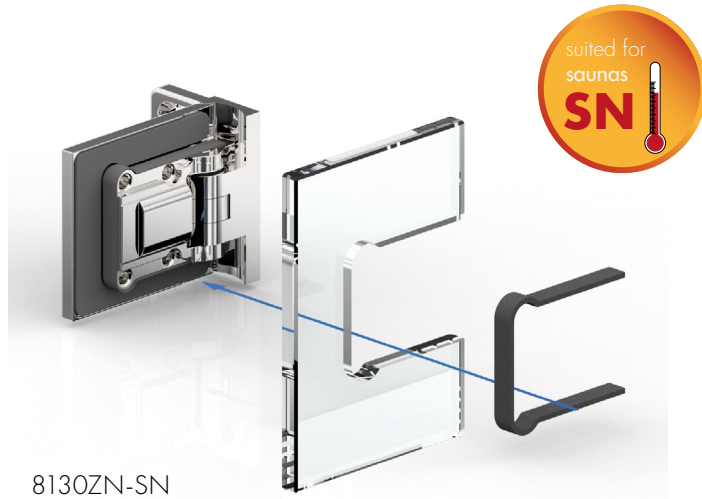
sauna swing door hinge FLAMEA⁺



FLAMEA⁺ SAUNA – relentlessly and heat-resistant

With the sauna fitting FLAMEA⁺-SN from Pauli + Sohn, individual wellness oases can be planned - from the small private sauna up to the spacious sauna landscape. In-house tests confirm the optimal functionality when the prescribed door dimensions and their weights as well as the maximum permissible ambient temperature of 100° C are met.

- 90° swing door hinge
- minimized gap distances for the installation in a sauna
- self-closing during the last 15 - 20°
- centered pivot-point, therefore usage as swing door possible
- fully adjustable closed position
- concealed screws



8130ZN-SN



- max. temperature in height of the upper hinge (on the surface) 80°C (corresponds a general sauna heat adjustment temperature of 100°C)
- sauna pendulum hinges and glass are to be protected against damage. therefore, when planning sauna situations, take into account that the door panels are not over pressed during opening (maximum 90 °).

- concealed screws



■ care instructions

The sauna hinges are to be cleaned only using warm water and a soft nonabrasive cloth for cleaning and drying. Sharp, aggressive, abrasive, alkaline or chlorine containing cleaners may not be used. While cleaning, the door must be held with one hand to prevent over opening.

For heavier stains (lime, grease, soap) we recommend our special cleaning agent "Gentle Care" for hardware - see page 331.

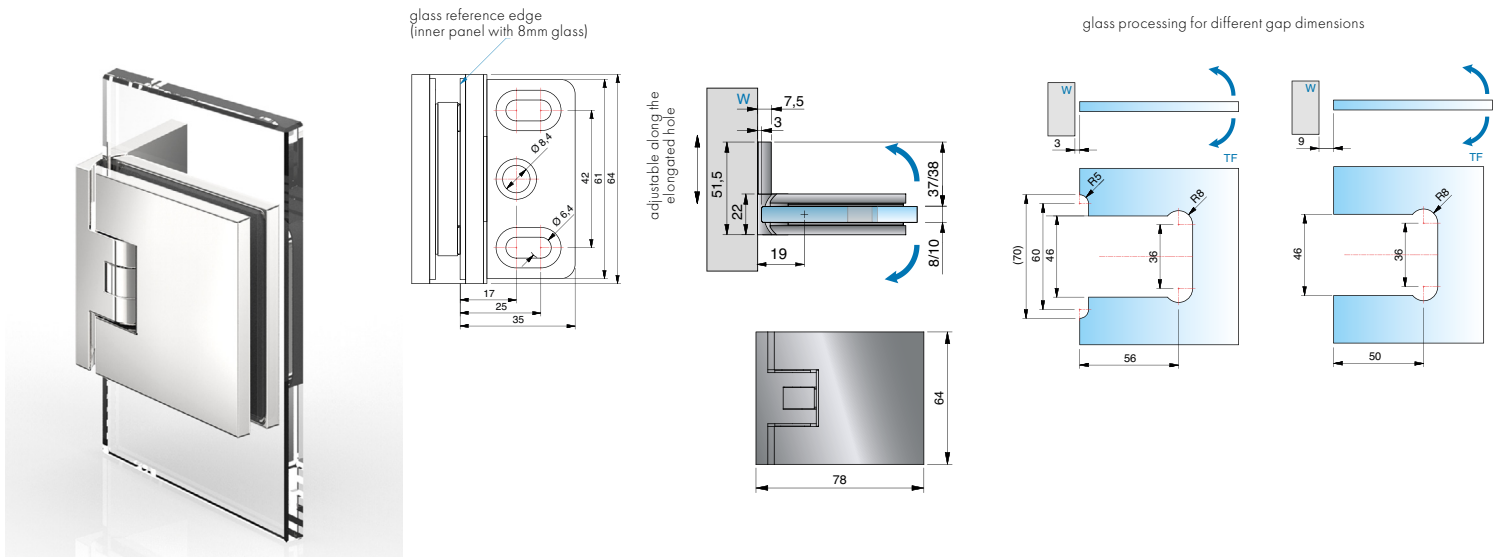
The door must be held firmly with one hand during cleaning to prevent over opening.



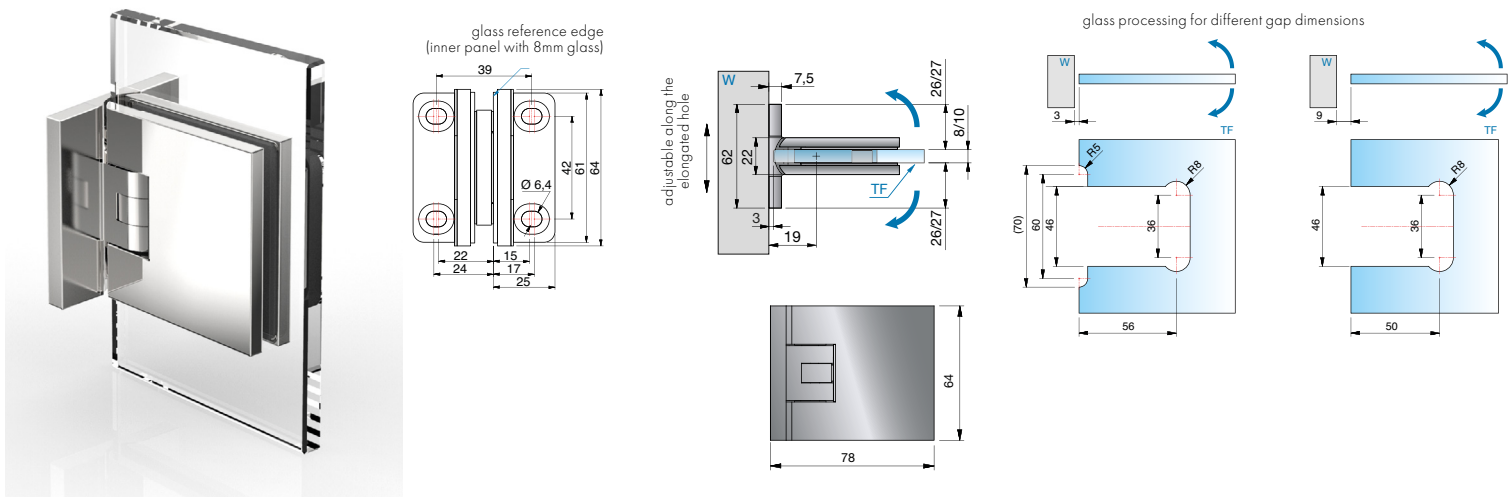
Please note that the instruction manual can be found on page 382.

sauna swing door hinge - FLAMEA+ SN

FLAMEA+
SN

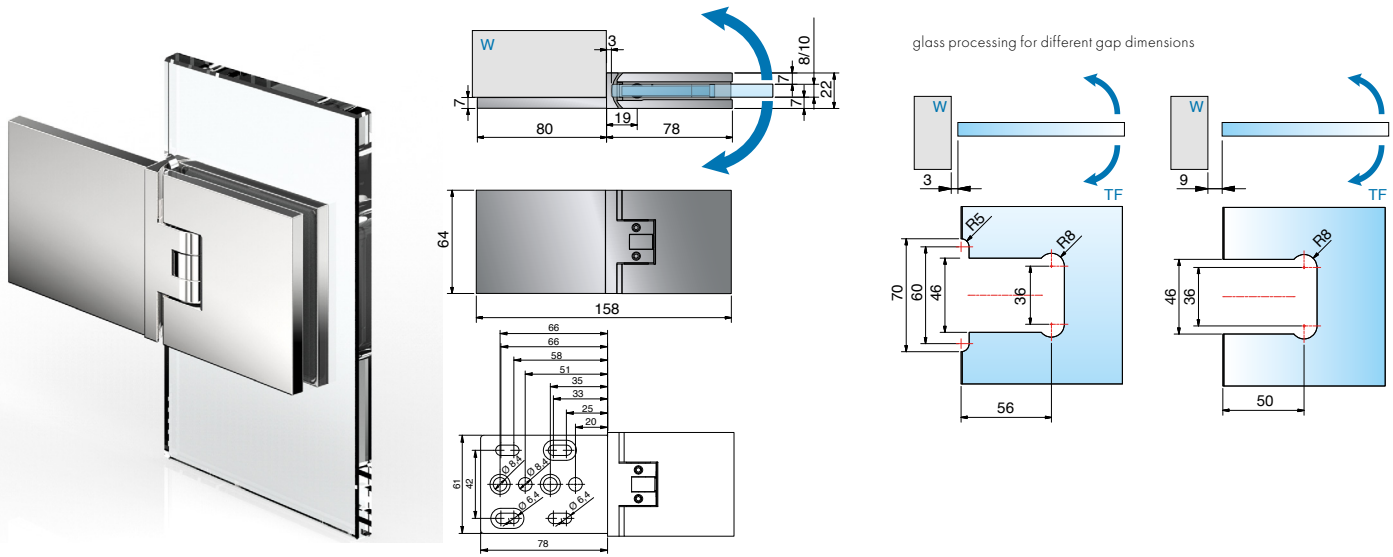


article no.	finish	glass thickness	article description	features	pu/pieces
8130ZN5-SN	gloss chrome	8/10 mm	sauna swing door hinge FLAMEA+	opens in- and outwards 90°, with adjustable closed position, adjustable along the oblong hole, one sided mounting plate, concealed screws When using the hinges for 10 mm glass thickness, please use the insert set Art. No. HX-SET3 per hinge free of charge.	1/2
8130ZN1-SN	mat chrome		glass-wall 90°		
8130ZN10-SN	gloss nickel		max. door width 800 mm		
8130ZNPVD22-SN	stainless steel optic				
8130ZNPVD20-SN	gold optic				
8130ZNPVD35-SN	black matt				

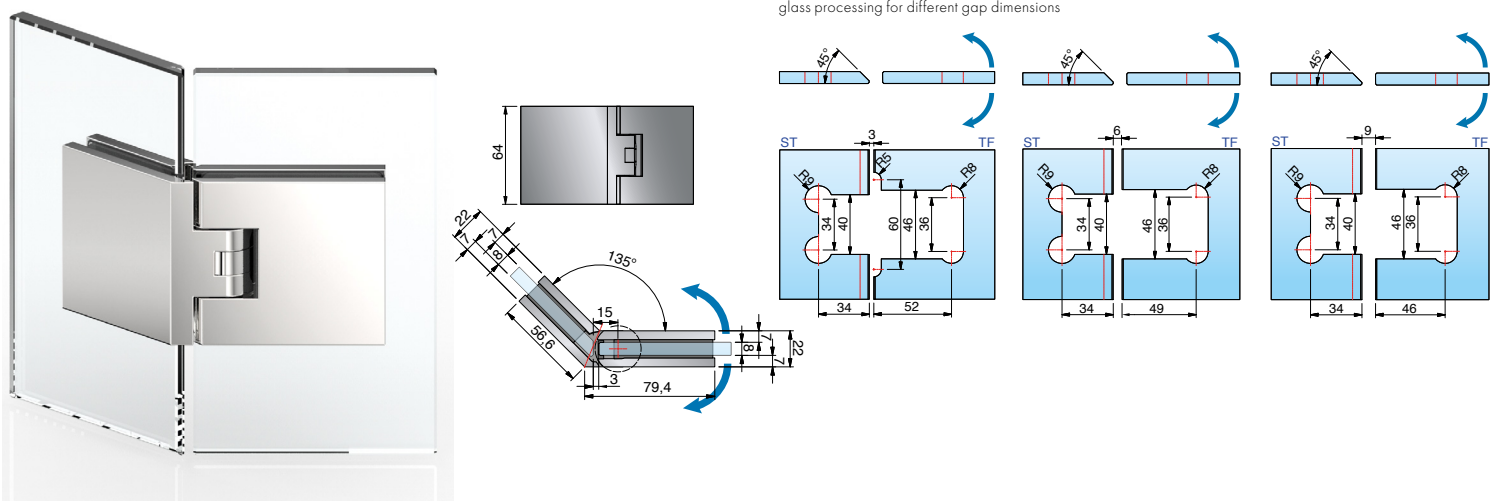


article no.	finish	glass thickness	article description	features	pu/pieces
8134ZN5-SN	gloss chrome	8/10 mm	sauna swing door hinge FLAMEA+	opens in- and outwards 90°, with adjustable closed position, adjustable along the oblong hole, one sided mounting plate, concealed screws When using the hinges for 10 mm glass thickness, please use the insert set Art. No. HX-SET3 per hinge free of charge.	1/2
8134ZN1-SN	mat chrome		glass-wall 90°		
8134ZN10-SN	gloss nickel		max. door width 900 mm		
8134ZNPVD22-SN	stainless steel optic				
8134ZNPVD20-SN	gold optic				
8134ZNPVD35-SN	black matt				

sauna swing door hinge - FLAMEA+ SN



article no.	finish	glass thickness	article description	features	pu/pieces
8133ZN5-SN	gloss chrome	8/10 mm	sauna swing door hinge FLAMEA+,	opens in- and outwards 90°, with adjustable closed position, adjustable along the oblong hole, concealed screws When using the hinges for 10 mm glass thickness, please use the insert set Art. No. HX-SET3 per hinge free of charge.	1/2
8133ZN1-SN	matt chrome		glass-wall 180°,		
8133ZN10-SN	gloss nickel		max. door width 900 mm		
8133ZNPVD22-SN	stainless steel optic		load capacity (2 hinges):		
8133ZNPVD20-SN	gold optic		36 kg with max. 900 x 2000 x 8 mm		
8133ZNPVD35-SN	black matt				



article no.	finish	glass thickness	article description	features	pu/pieces
8131ZN5-SN	gloss chrome	8/10 mm	sauna swing door hinge FLAMEA+,	opens in- and outwards 90°, with adjustable closed position, adjustable along the oblong hole, concealed screws When using the hinges for 10 mm glass thickness, please use the insert set Art. No. HX-SET4 per hinge free of charge.	1/2
8131ZN1-SN	matt chrome		glass-glass 135°, max. door width		
8131ZN10-SN	gloss nickel		750 mm		
8131ZNPVD22-SN	stainless steel optic		load capacity (2 hinges):		
8131ZNPVD20-SN	gold optic		30 kg with max. 750 x 2000 x 8 mm		
8131ZNPVD35-SN	black matt				

FLAMEA+
SN

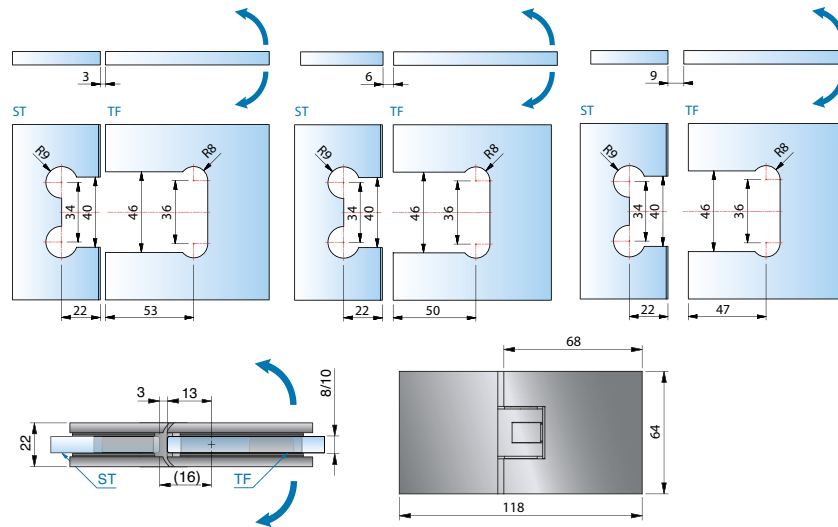


sauna swing door hinge - FLAMEA+ SN

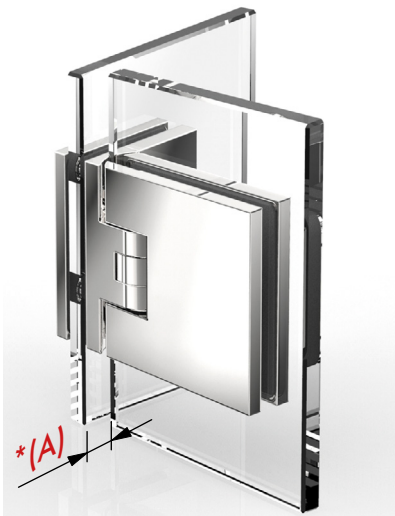
FLAMEA+
SN



glass processing for different gap dimensions

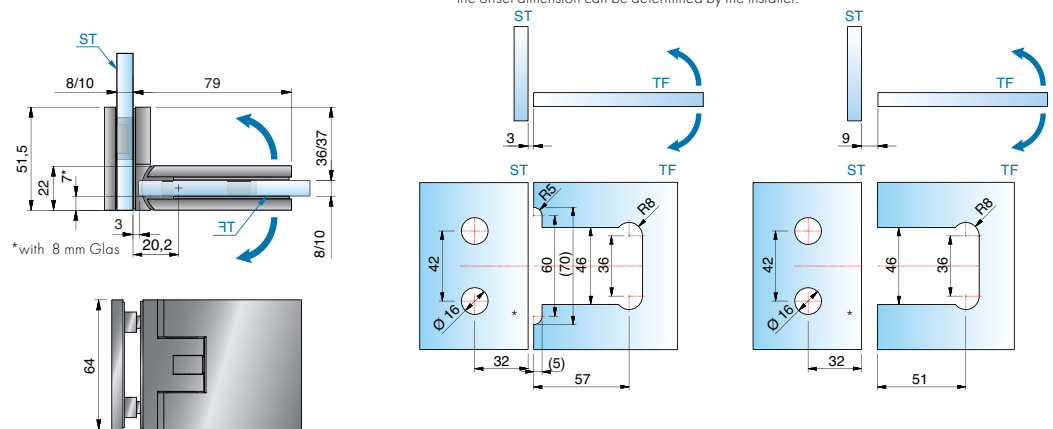


article no.	finish	glass thickness	article description	features	pu/pieces
8132ZN5-SN	gloss chrome	8/10 mm	sauna swing door hinge FLAMEA+, glass-glass 180°, max. door width 750 mm	opens in- and outwards 90°, with adjustable closed position, adjustable along the oblong hole, concealed screws the insert (8132-10KU-SN) which prevents the door leaf from sliding-down is included free of charge.	1/2
8132ZN1-SN	mat chrome			When using the hinges for 10 mm glass thickness, please use the insert set Art. No. HX-SET4 per hinge free of charge.	
8132ZN10-SN	gloss nickel				
8132ZNPVD22-SN	stainless steel optic				
8132ZNPVD20-SN	gold optic				
8132ZNPVD35-SN	black matt				



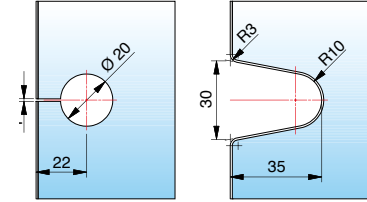
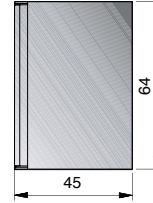
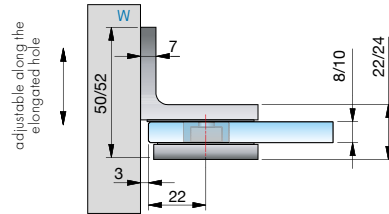
glass processing for different gap dimensions

*the offset dimension can be determined by the installer.



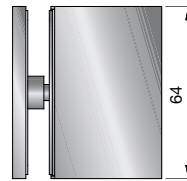
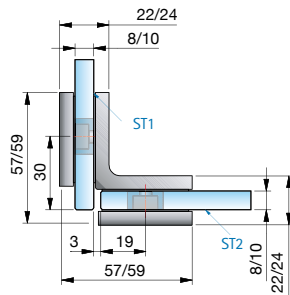
article no.	finish	glass thickness	article description	features	pu/pieces
8136ZN5-SN	gloss chrome	8/10 mm	sauna swing door hinge FLAMEA+, glass-glass 90°, max. door width 800 mm	opens in- and outwards 90°, with adjustable closed position, adjustable along the oblong hole, concealed screws * offset dimensions (A) on the side panel can be determined by the installer	1/2
8136ZN1-SN	mat chrome			When using the hinges for 10 mm glass thickness, please use the insert set Art. No. HX-SET3 per hinge free of charge.	
8136ZN10-SN	gloss nickel				
8136ZNPVD22-SN	stainless steel optic				
8136ZNPVD20-SN	gold optic				
8136ZNPVD35-SN	black matt				

glass processing for 8/10 mm
hole \varnothing 20 mm or edge recess R35

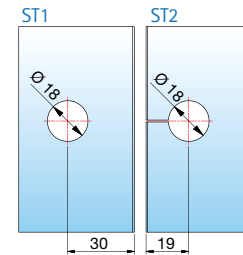


FLAMEA⁺
SN

article no.	finish	glass thickness	article description	features	pu/pieces
8194ZN5-SN	gloss chrome	8/10 mm	sauna angle bracket FLAMEA ⁺	adjustable along the oblong hole, concealed screws with cover plate	1/2
8194ZN1-SN	matt chrome		glass-wall 90°		
8194ZN10-SN	gloss nickel				
8194ZNPVD22-SN	stainless steel optic				
8194ZNPVD20-SN	gold optic				
8194ZNPVD35-SN	black matt				



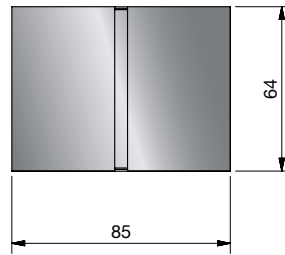
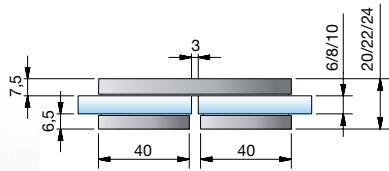
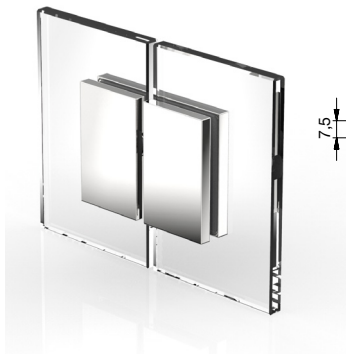
glass processing for 8 mm



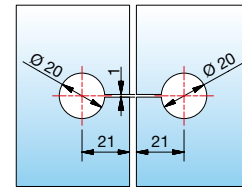
article no.	finish	glass thickness	article description	features	pu/pieces
8196ZN5-SN	gloss chrome	8/10 mm	sauna angle bracket FLAMEA ⁺	concealed screws with cover plate	1/2
8196ZN1-SN	matt chrome		glass-glass 90°		
8196ZN10-SN	gloss nickel				
8196ZNPVD22-SN	stainless steel optic				
8196ZNPVD20-SN	gold optic				
8196ZNPVD35-SN	black matt				

TF = door panel | W = wall

sauna swing door hinge - FLAMEA+ SN



glass processing for 8/10 mm



article no.	finish	glass thickness	article description	features	pu/pieces
8191ZN5-SN	gloss chrome	8/10 mm	sauna angle bracket FLAMEA+	concealed screws with cover plate	1/2
8191ZN1-SN	matte chrome		glass-glass 90°		
8191ZNPVD22-SN	stainless steel optic				

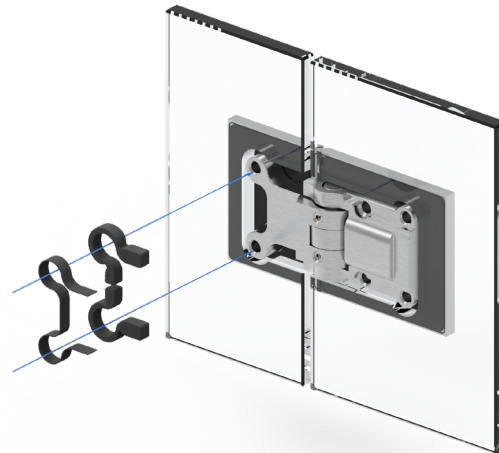
8132-3EPDM



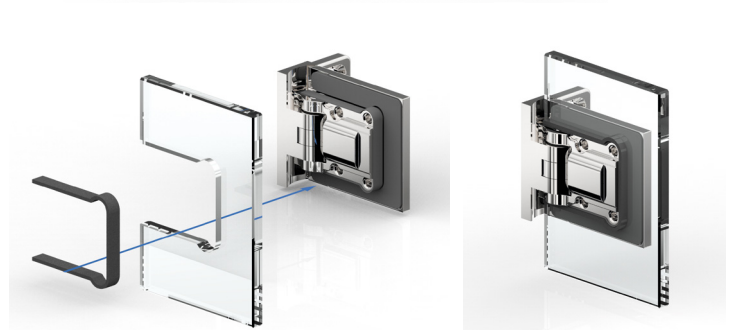
8132-10KU-SN

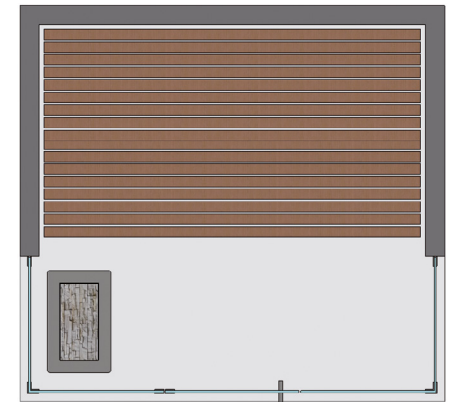
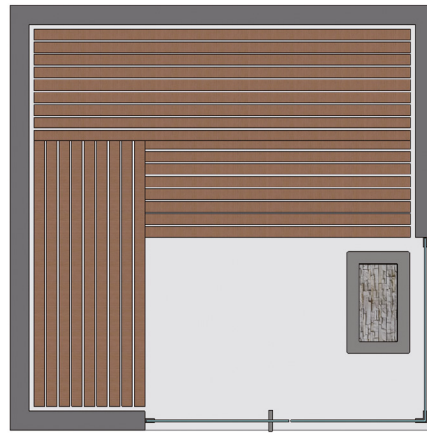
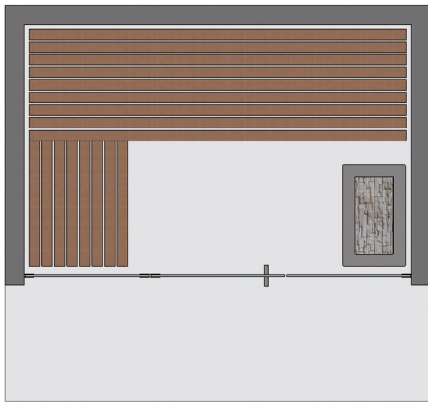


article no.	article description	pu/pieces
8132-10KU-SN	filler piece for glass cutout of the side panel mounting for	1/1
8132-3EPDM	8131ZN-SN and 8132ZN-SN (2 pieces per hinge included).	



article no.	article description	pu/pieces
8878FKM-1	insert for glass recess, 300x8x1 mm	1/1
8878FKM-2	insert for glass recess, 300x8x2 mm	





- many different installation situations are possible.
when planning the system, make sure that the door panels are not to be over-opened (max.90°)!
together, we can plan tailor-made solutions. - contact us!



8130ZN-SN

- max. door width 800 mm
- loading capacity (2 hinges): 32 kg
(corresponding to a glass door with the dimension 800 x 2000 mm and a glass thickness of 8 mm)



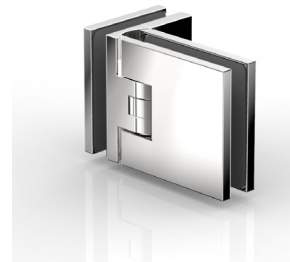
8134ZN-SN

- max. door width 900 mm
- loading capacity (2 hinges): 36 kg
(corresponding to a glass door with the dimension 900 x 2000 mm and a glass thickness of 8 mm)



8133ZN-SN

- max. door width 750 mm
- loading capacity (2 hinges): 30 kg
(corresponding to a glass door with the dimension 750 x 2000 mm and a glass thickness of 8 mm)



8136ZN-SN

- max. door width 800 mm
- loading capacity (2 hinges): 32 kg
(corresponding to a glass door with the dimension 800 x 2000 mm and a glass thickness of 8 mm)



8132ZN-SN

- max. door width 750 mm
- loading capacity (2 hinges): 30 kg
(corresponding to a glass door with the dimension 750 x 2000 mm and a glass thickness of 8 mm)



8131ZN-SN

- max. door width 750 mm
- loading capacity (2 hinges): 30 kg
(corresponding to a glass door with the dimension 750 x 2000 mm and a glass thickness of 8 mm)



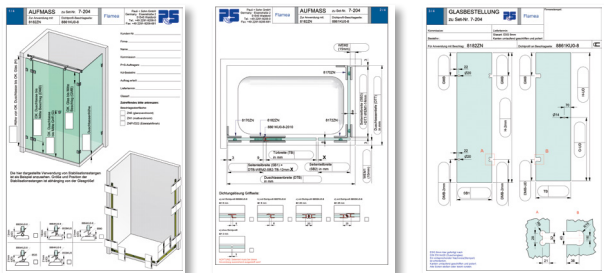
corresponding angle brackets

for FLAMEA can be found on page 168.



our service for you!

On www.pauli.de you can find many different measurement sheets for all standard installations.



MADE
IN
GERMANY

**Black
EDITION**



shower swing door hinge FLAMEA

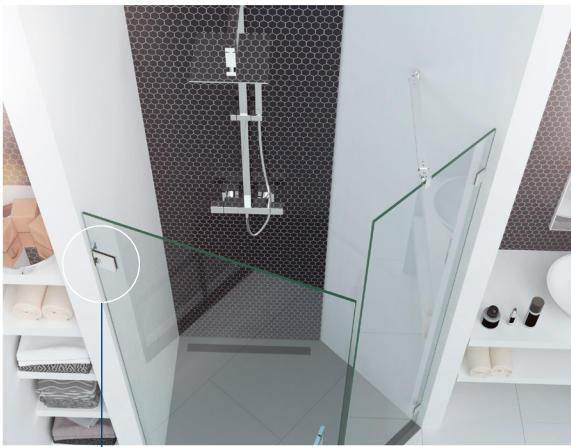


FLAMEA - consequent: formal-aesthetic

MADE
IN
GERMANY

Sometimes little things make a big difference. the rectangular shower swing door hinge FLAMEA is for its size of 71 x 56 mm for a glass-wall hinge and 111 x 56 mm for a glass-glass hinge extremely compact and thus a particular unobtrusive solution. The fully adjustable closed position and the ability to work without a sealing profile ensures the perfect adaption to different situations.

- 90° shower swing door hinge
- self-closing during the last 15 - 20°
- centered pivot-point, therefore usage as swing door possible
- fully adjustable closed position
- load capacity (2 hinges): 36 kg corresponding to a glass door with the dimension 900 x 2000 mm and a glass thickness of 8 mm
- optimized for application without using sealing profiles
- the durability of the hardware has been tested internally according to DIN EN 14428:2015 5.5.



The closed position can be fully adjusted as often as needed. Due to the fully adjustable closed-position, the hinges can be mounted much faster, even on walls that are not aligned to each other.



general remarks:

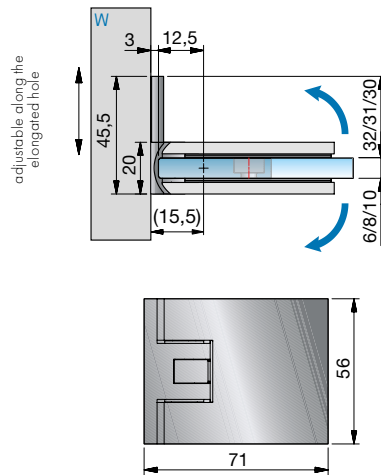
- depending on the loading transfer to the wall, please also take the small mounting plate into consideration.
- perpendicular mounting of the shower door hinge on solid surfaces



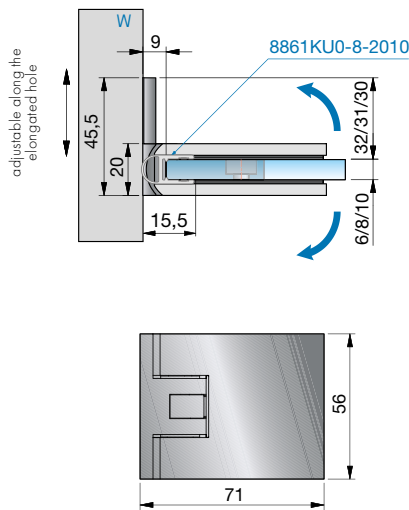
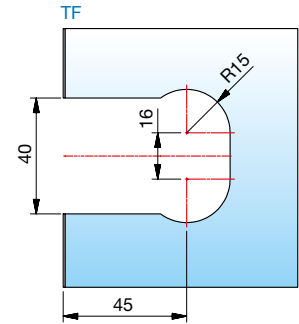
Please note that the instruction manual can be found on page 382.

shower swing door hinge - FLAMEA

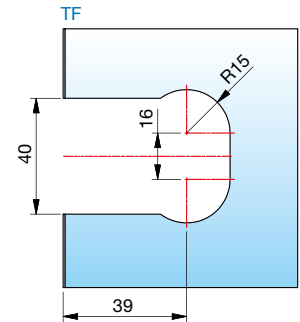
FLAMEA



glass processing for 8 mm
without sealing profile



glass processing for 8 mm
with sealing profile 8861KU0-8-2010

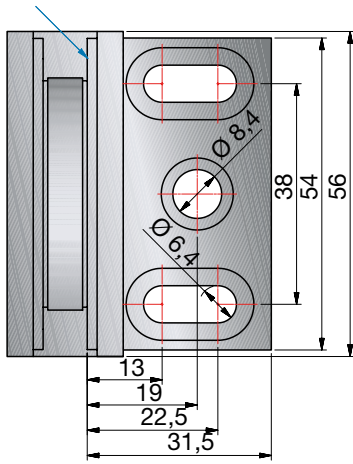


article no.	finish	glass thickness	article description	features	pu/pieces
8180ZN5	gloss chrome	6/8/10 mm	shower swing door hinge FLAMEA	opens in- and outwards 90°, with adjustable closed position, adjustable along the oblong hole, single sided mounting plate shim plates in thicknesses 2/3/5/10 mm can be found on page 375.	1/2
8180ZN1	matt chrome		glass-wall 90°		
8180ZNPVD22	stainless steel optic				
8180ZNPVD35	black matt				
8180ZN135	deep black matt				

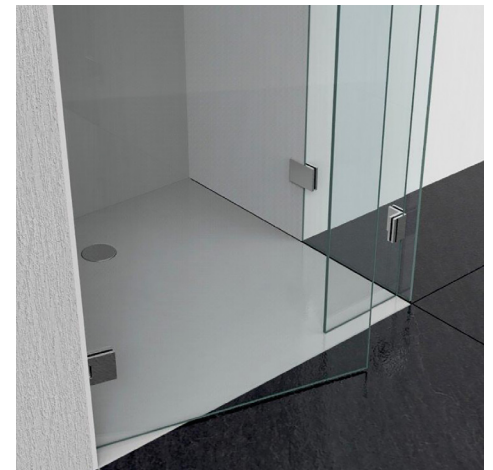
When using the hinges for 6 or 10 mm glass thickness, please use the insert set Art. No. HZ-SET1 per hinge free of charge.

TF = door panel | W = wall

glass reference edge
(inner panel with 8mm glass)

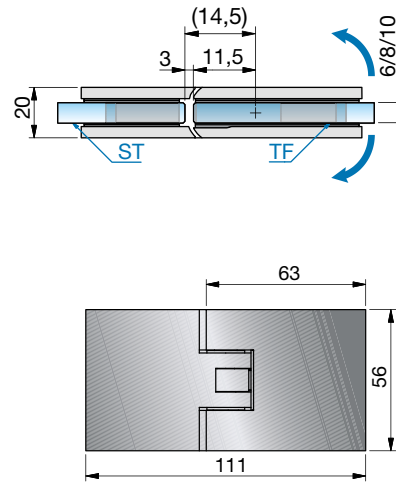


- by positioning the glass within the shower area, a natural splash guard is created.

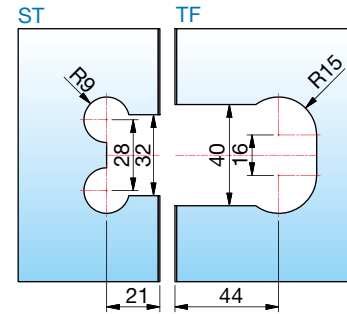


shower swing door hinge - FLAMEA

FLAMEA

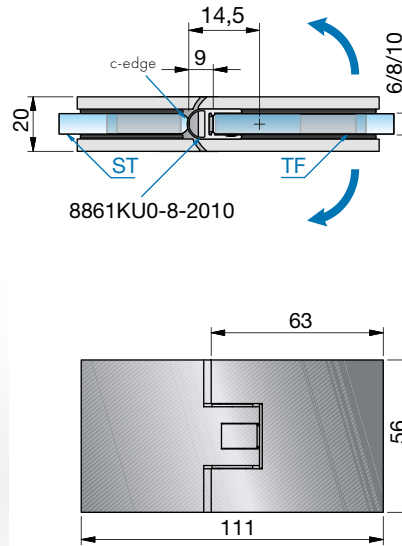


glass processing for 8 mm
without sealing profile

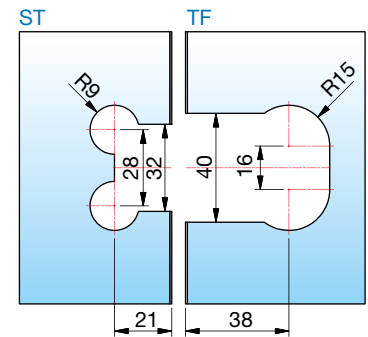


When using the hinges for 6 or 10 mm glass thickness, please use the insert set Art. No. HZ-SET2 per hinge free of charge.

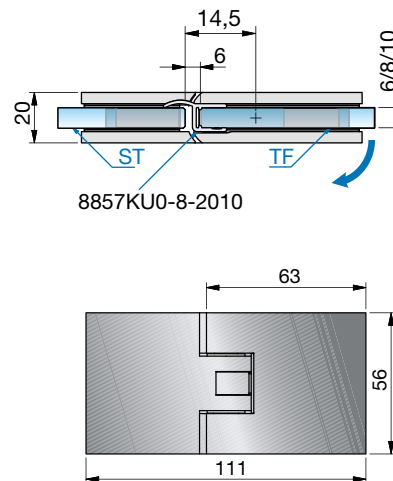
shower swing door hinge - FLAMEA



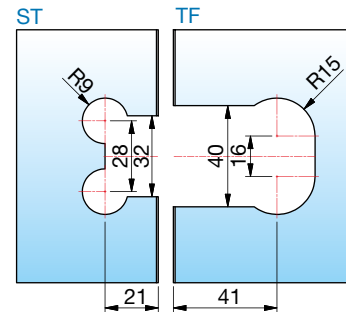
glass processing for 8 mm
with sealing profile 8857KU0-8-2010



FLAMEA



glass processing for 8 mm
with sealing profile 8861KU0-8-2010



article no.	finish	glass thickness	article description	features	pu/pieces
8182ZN5	gloss chrome	6/8/10 mm	shower swing door hinge FLAMEA	depending on the used seal profile, opens in- and	1/2
8182ZN1	matt chrome		glass-glass 180°	outwards 90°, with adjustable closed position	
8182ZNPVD22	stainless steel optic				
8182ZNPVD35	black matt				
8182ZN135	deep black matt				

TF = door panel | W = wall





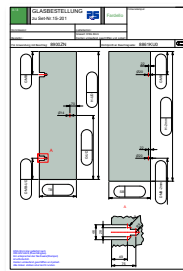
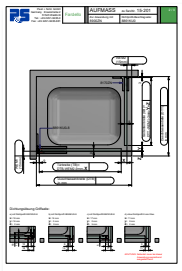
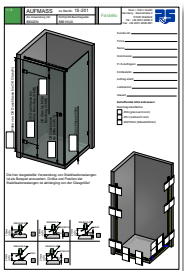
corresponding angle brackets

for FARDELLO can be found on page 168.



our service for you!

On www.pauli.de, you can find many different measurement sheets for all standard installations.



MADE
IN
GERMANY

**Black
EDITION**



shower swing door hinge FARDELLO



FARDELLO

High load-bearing capacity for modern bathroom architecture

MADE
IN
GERMANY

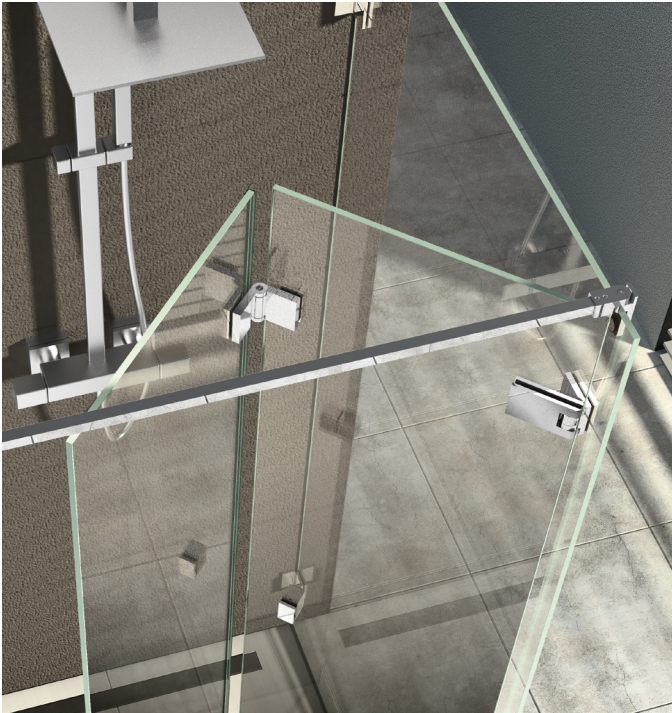
The shower swing door hinge FARDELLO is characterized by high load capacity and compact dimensions. With a height of only 56 mm, two hinges can support a maximum of 42 kg. This is made possible by the intelligent construction of the hinge: counter plate and hinge body

interlock and are securely fastened together. This ensures more safety. In combination with FLINTER, various folding door systems can also be implemented.



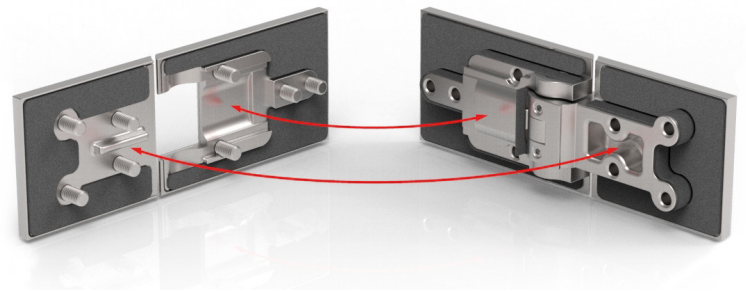
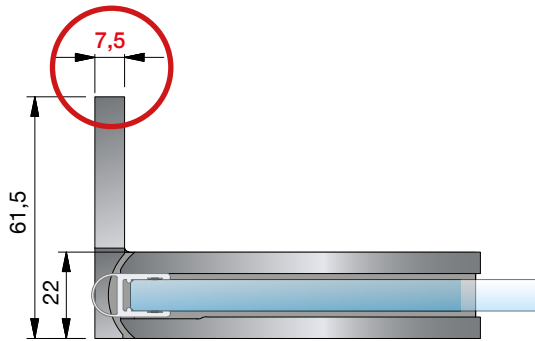
Please note that the instruction manual can be found on page 382.

shower swing door hinge – FARDELLO



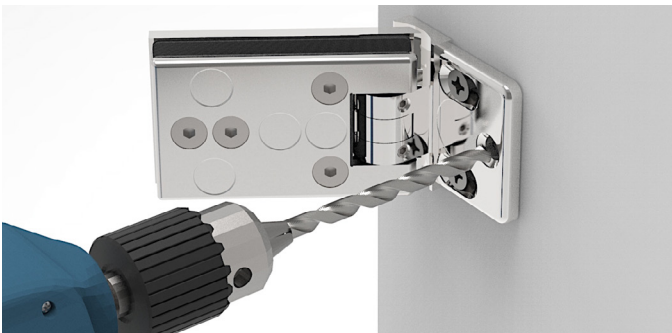
- load capacity (2 hinges): max. permissible weight: 42 kg
- max. door panel width: 1000 mm
- glass thickness: 6/8/10 mm
- swing door hinge: glass-wall / glass-glass
- suitable angle brackets
- optimized for installation without sealing profiles
- minimized gap dimensions
- closed position fully adjustable
- hinge height: 56 mm (like FLAMEA and FLINTER shower door hinge)
- fields of application:
wellness area, barrier-free bathrooms, public areas
- **intelligent design:**
fitting body and counter plate engage with interlocking fit and are firmly secured with 4 screws
- the durability of the hardware has been tested internally according to DIN EN 14428:2015 5.5.
- self-closing during the last 15 - 20°

FARDELLO



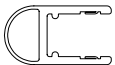
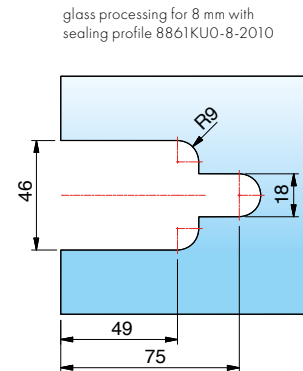
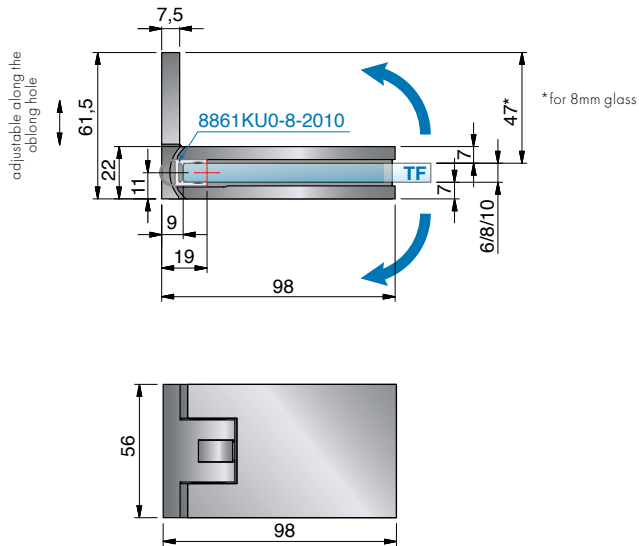
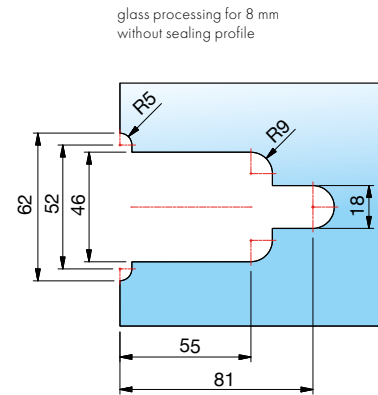
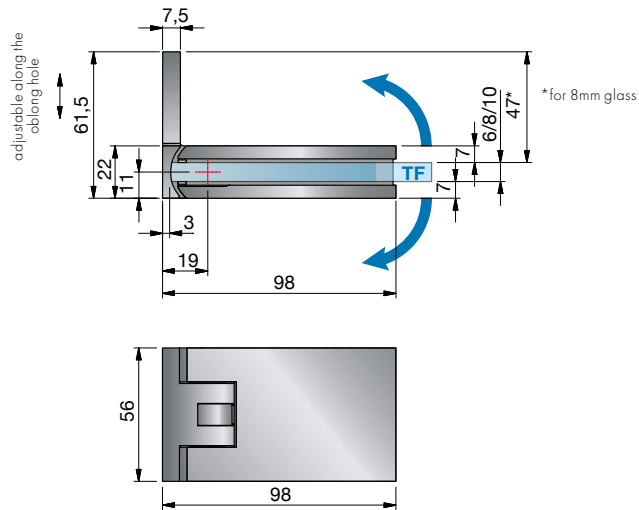
features

- the 7.5 mm thick wall mounting plate offers better load transfer
- the 3rd fixing hole prevents the fittings from warping on the wall
- the shower hinge is designed to allow this hole to be drilled with an 8 mm drill bit while already mounted



shower swing door hinge - FARDELLO

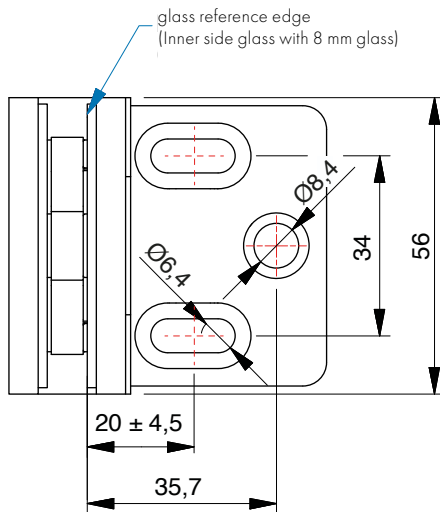
FARDELLO



article no.	finish	glass thickness	article description	features	pu/pieces
8900ZN5	gloss chrome	6/8/10 mm	shower swing door hinge FARDELLO	90° swing door hinge, with or without sealing profile, concealed screws, wall mount inside with oblong hole adjustment, closed position fully adjustable, self-closing from approx. 15°-20°, seal profile cut in the hinge area.	1/2
8900ZN1	matt chrome		glass-wall 90°		
8900ZNPVD22	stainless steel optic				
8900ZNPVD35	black matt				

When using the hinges for 6 or 10mm glass thickness, please use the insert set Art. No. HZ-SET5 per hinge free of charge.

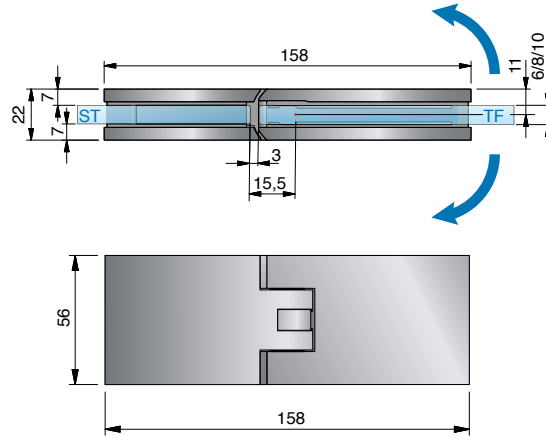
dimensions wall bracket 8900ZN



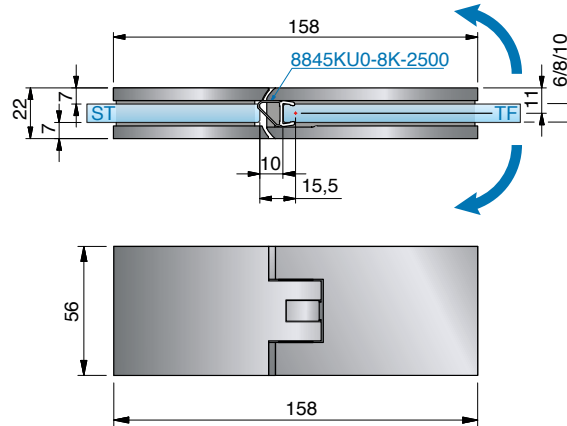
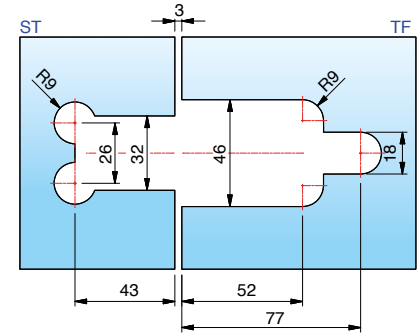
TF = door panel | W = wall

shower swing door hinge - FARDELLO

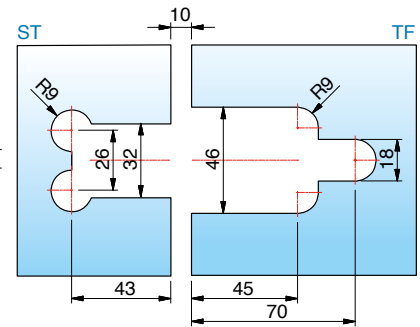
FARDELLO



glass processing for 8 mm
without sealing profile



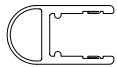
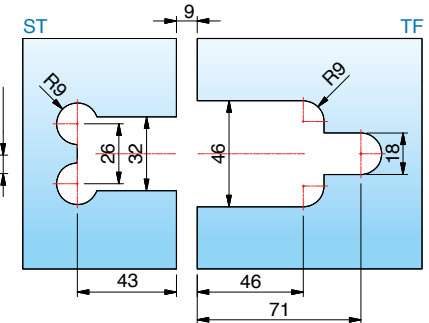
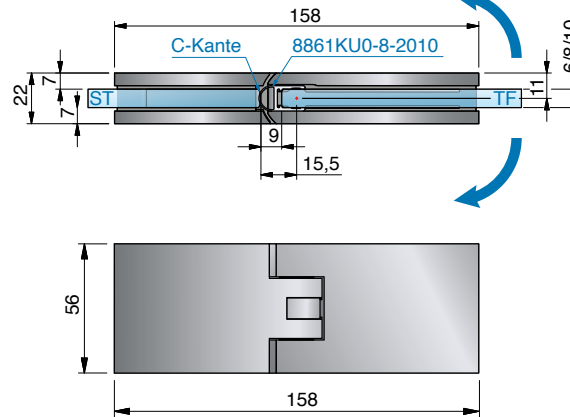
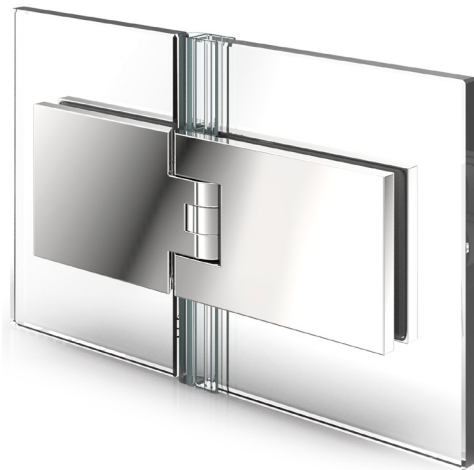
glass processing for 8 mm without
sealing profile



When using the hinges for 6 or 10 mm glass thickness, please use the insert set Art. No. HZ-SET6 per hinge free of charge.

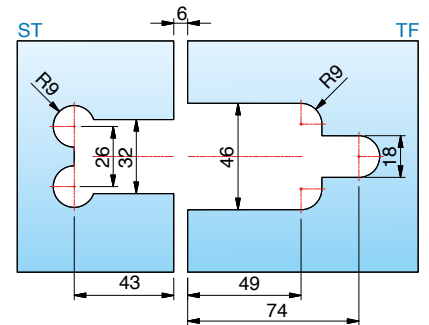
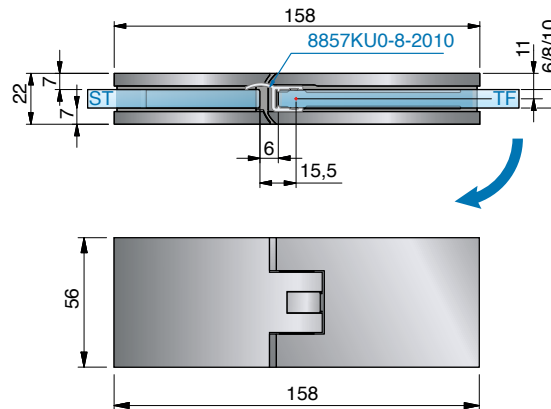
shower swing door hinge - FARDELLO

glass processing for 8 mm
with sealing profile 8861KU0-8-2010



FARDELLO

glass processing for 8 mm
with sealing profile 8857KU0-8-2010



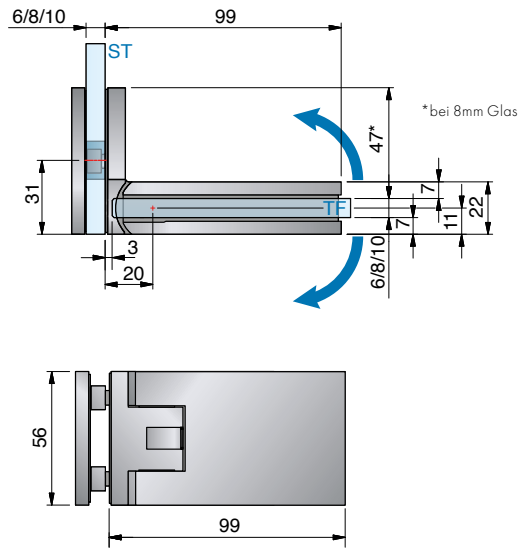
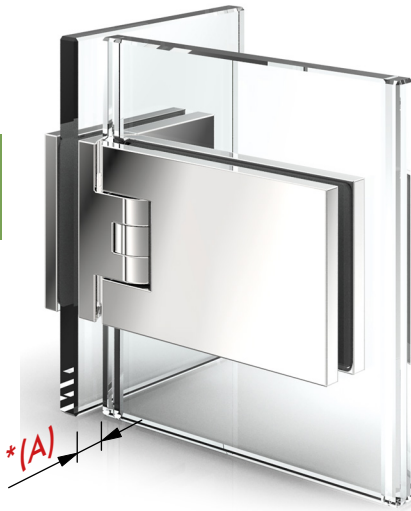
article no.	finish	glass thickness	article description	features	pu/pieces
8901ZN5	gloss chrome	6/8/10 mm	shower swing door hinge FARDELLO	90° swing door hinge, with or without sealing profile, concealed screws, closed position fully adjustable, self-closing from approx. 15°-20°, seal profile cut in the hinge area.	1/2
8901ZN1	matt chrome		glass-glass 180°		
8901ZNPVD22	stainless steel optic				
8901ZNPVD35	black matt				

TF = door panel | W = wall

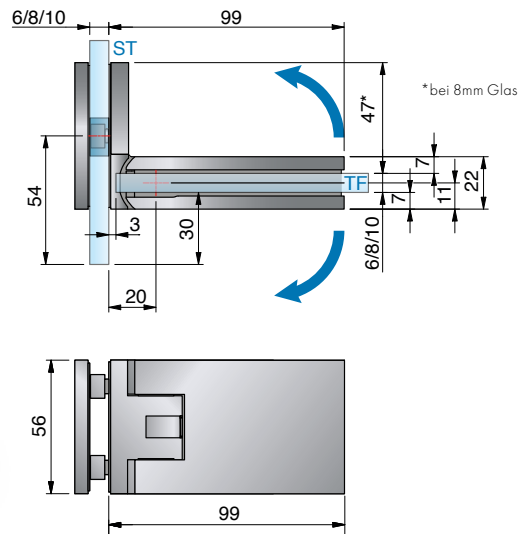
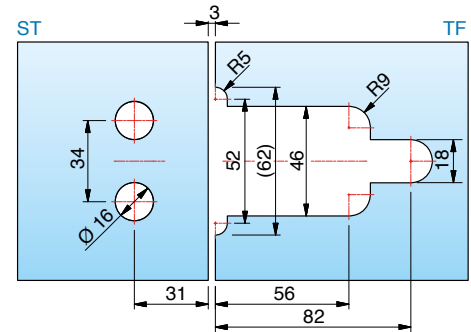


shower swing door hinge - FARDELLO

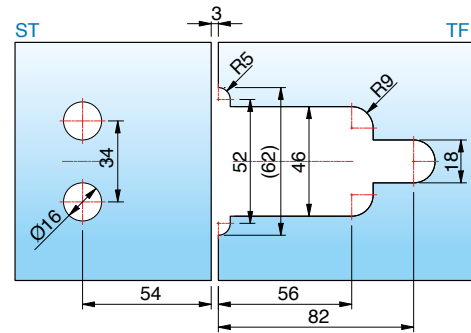
FARDELLO



glass processing for 8 mm without sealing profile, 7 mm set inwards

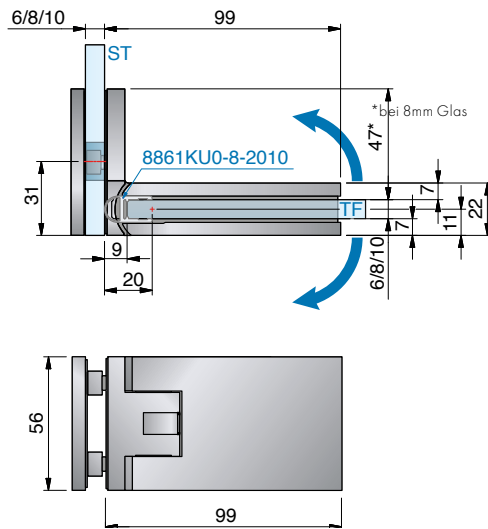
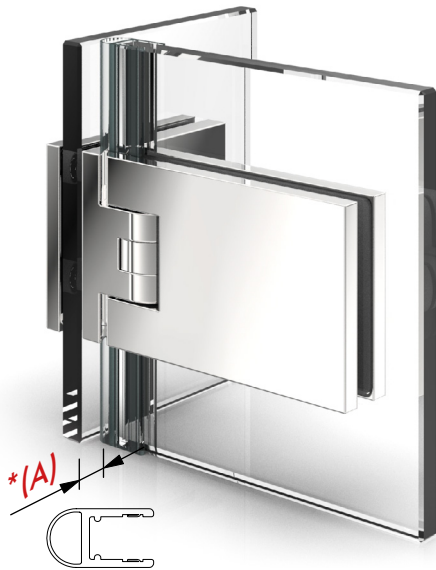


glass processing for 8 mm without sealing profile, 30 mm set inwards

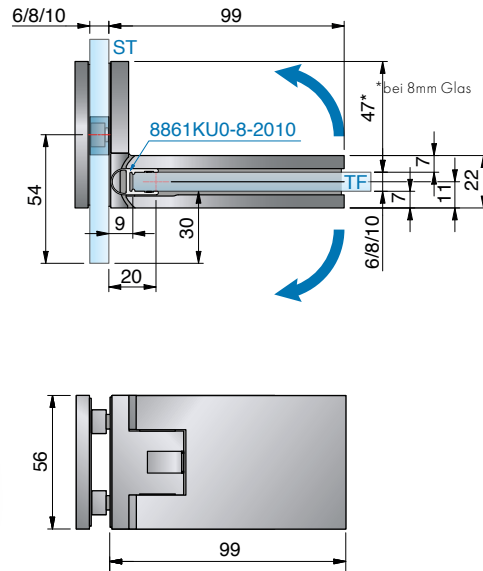
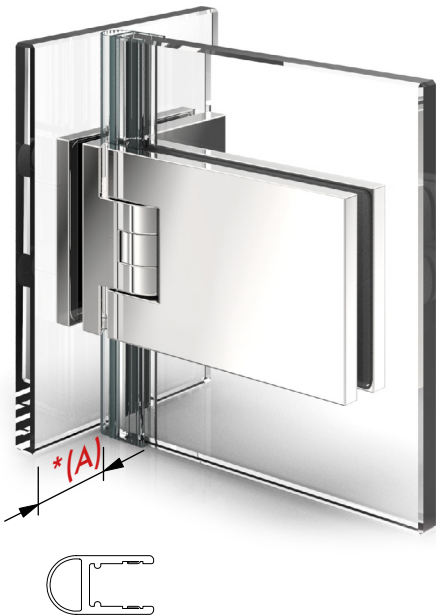
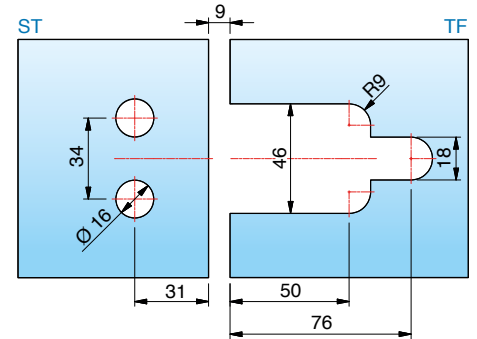


When using the hinges for 6 or 10 mm glass thickness, please use the insert set Art. No. HZ-SET5 per hinge free of charge.

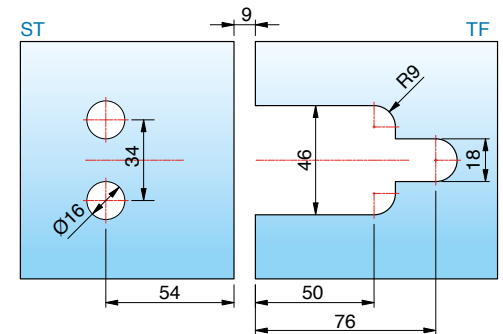
shower swing door hinge - FARDELLO



glass processing for 8 mm with
sealing profile 8861KU0-8-2010,
7 mm set inwards



glass processing for 8 mm with
sealing profile 8861KU0-8-2010,
30 mm set inwards



article no.	finish	glass thickness	article description	features	pu/pieces
8902ZN5	gloss chrome	6/8/10 mm	shower swing door hinge FARDELLO	90° swing door hinge, with or without sealing profile, concealed	1/2
8902ZN1	matt chrome		glass-glass 90°	screws, closed position fully adjustable, self-closing from approx.	
8902ZNPVD22	stainless steel optic			15°-20°, seal profile cut in the hinge area.	
8902ZNPVD35	black matt			*offset dimension (A) of the side panel can be determined by the user.	

TF = door panel | W = wall

folding systems with FARDELLO/ FLINTER

FARDELLO is at its best in combination with the FLINTER series. The elegant eye-catcher with high load-bearing capacity and the small power pack with intelligent spring technology unfold their full capabilities and flexibility, particularly in combined bathtub and various folding door systems. The whole process is simple and uncomplicated to implement - with the specialist expertise of Pauli + Sohn.

FARDELLO



FARDELLO – 8900ZN



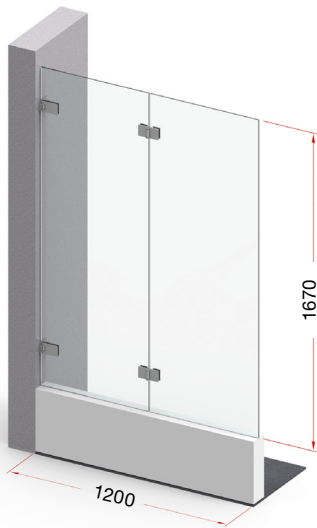
FLINTER – 8160ZN – available with 0-3 springs

The spring technology of the FLINTER shower door hinge allows you to determine the closing force of your door yourself when ordering. In the chart on page 138, you can find Pauli + Sohn's recommendations on the optimum closing force of the hinges, based on the door size. Please always include these in your order.



- hinges with 1 spring for light doors
- hinges with 2 springs for medium-heavy doors
- hinges with 3 springs for heavy doors

oversizes with folding systems without risk of over opening



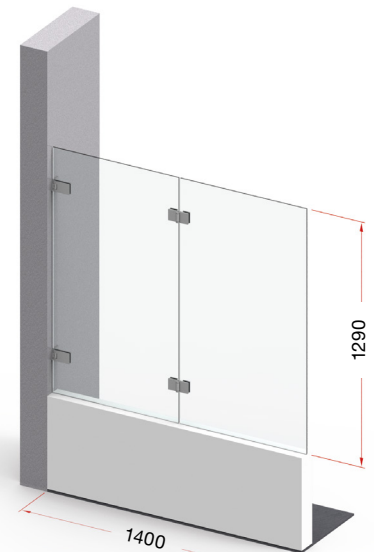
**load capacity for system width
1200 mm: 40 kg**

corresponds to a door height
of 1670 mm with 8 mm glass



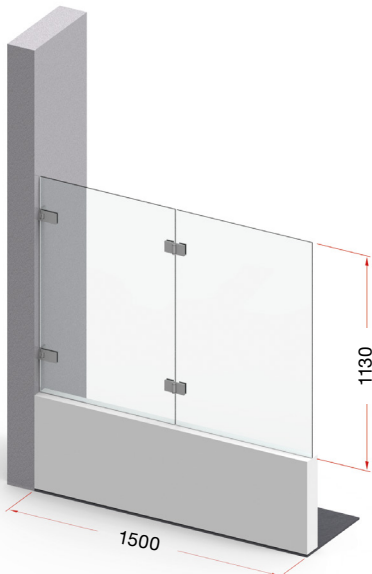
**load capacity for system width
1300 mm: 38 kg**

corresponds to a door height
of 1460 mm with 8 mm glass



**load capacity for system width
1400 mm: 36 kg**

corresponds to a door height
of 1290 mm with 8 mm glass



**load capacity for system width
1500 mm: 34 kg**

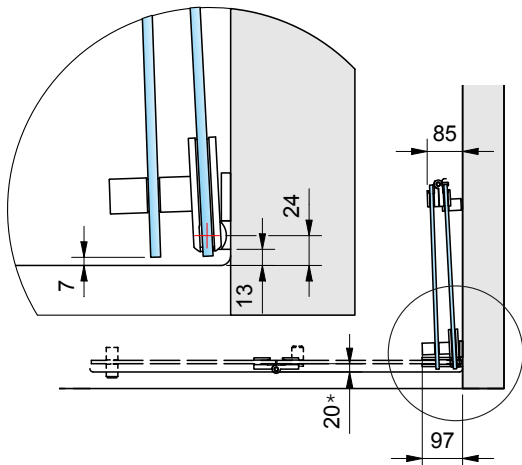
corresponds to a door height
of 1130 mm with 8 mm glass



Attention: This data is only valid with optimal wall mounting and without the risk of over opening. Further information and examples of folding systems can be found on pages 120-121.

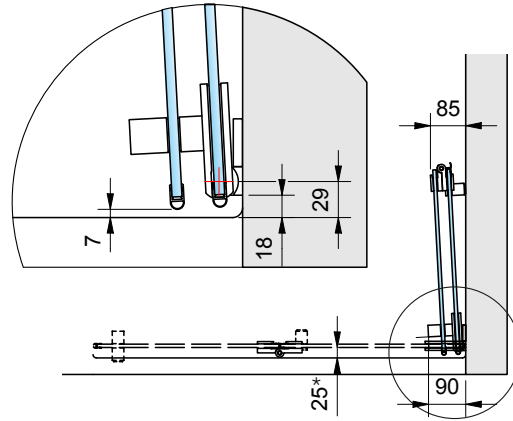
folding systems dimensions with FARDELLO/ FLINTER – glass-wall

FARDELLO



folding system 1: 8900ZN without seal profile and
8160ZN with seal profile 8865KU0

* tray offset dimension

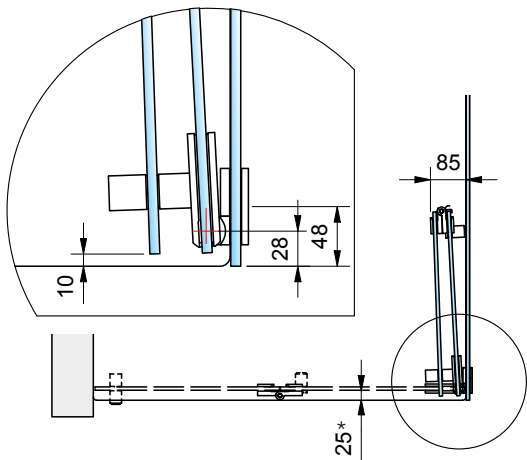


folding system 2: 8900ZN with seal profile 8861KU0 und
8160ZN with seal profile 8861KU0

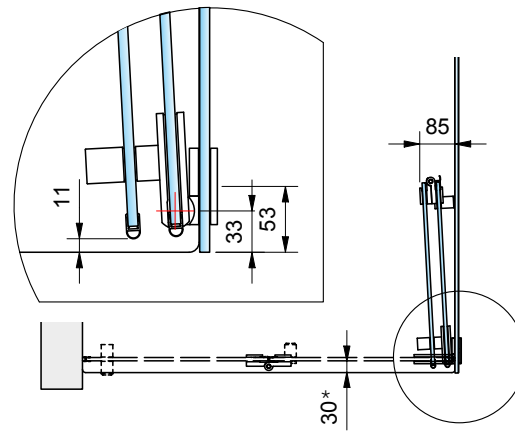


■ FARDELLO is also available in black!

folding systems dimensions with FARDELLO/ FLINTER – glass-glass



folding system 3: 8902ZN without seal profile and 8160ZN with seal profile 8865KU0

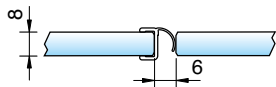


folding system 4: 8902ZN with seal profile 8861KU0 and 8160ZN with seal profile 8861KU0

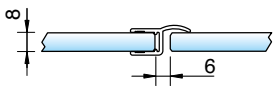
* tray offset dimension



- we recommend the seal profile:
8865KU0 for folding door systems.



or 8857KU0



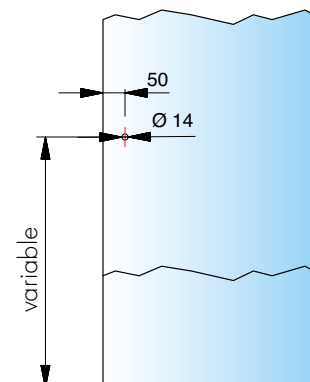
hole spacing for:



8273ZN



8271ZN



- for more information about the knobs 8271 and 8273 see page 301



FARDELLO
SN

corresponding angle brackets

for FARDELLO Sauna can be found on page 128.

MADE
IN
GERMANY

Black
EDITION





sauna swing door hinge FARDELLO