



# Pilkington **Profilit**<sup>™</sup>

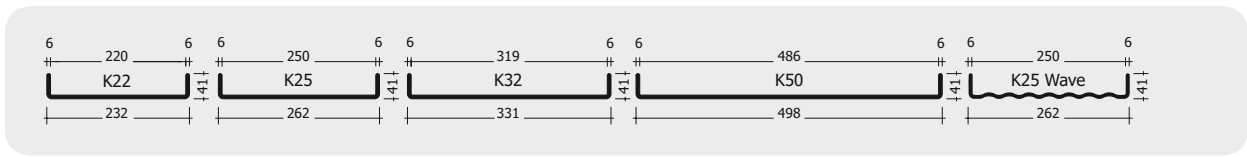
Technical Information on Pilkington **Profilit**<sup>™</sup>

Profiled Glass with System

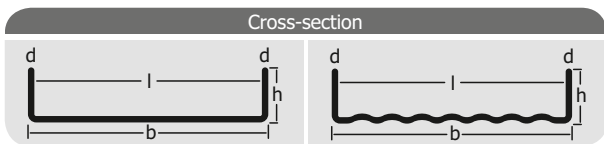
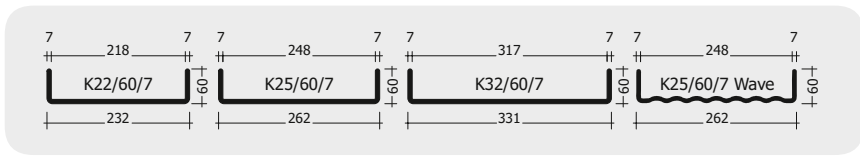
English Edition

# Pilkington **Profilit™** - Delivery Program

## Glass thickness 6 mm, flange height 41 mm



## Glass thickness 7 mm, flange height 60 mm



Tolerances:  $b \pm 2.0$  mm  
 $d \pm 0.2$  mm  
 $h \pm 1.0$  mm  
 Cutting tolerances of  $\pm 3.0$  mm are allowed.  
 Tolerances according to EN 572-7. Dimensions are nominal.

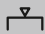
Pilkington <b>Profilit™</b>	K 22/60/7 OW	K 22/60/7	K 25/60/7 OW	K 25/60/7	K 32/60/7 OW	K 32/60/7	K 22 OW or K 22	K 25 OW	K 25	K 32 OW or K 32	K 50 OW or K 50
504	●	●	●	●	●	●	○	⊙	●	○	○
504 wire	⊙	●	●	●	○	○	○	○	●	○	○
504 16 wires	—	—	○	⊙	—	—	—	—	—	—	—
low-e plus	○	○	●	●	○	○	○	○	○	○	○
low-e plus wire	○	○	○	⊙	○	○	○	○	○	○	○
Plus 1,7	⊙	●	●	●	⊙	⊙	○	○	●	○	○
Plus 1,7 wire	○	⊙	○	⊙	○	○	○	○	○	○	○
Antisol	○	○	○	⊙	○	○	○	○	○	○	○
Antisol wire	○	○	○	○	○	○	○	○	○	○	○
Amethyst	○	○	○	●	○	○	○	○	○	○	○
Amethyst wire	○	○	○	⊙	○	○	○	○	○	○	○
I 220/6 low-e plus	—	—	○	●	—	—	—	—	—	—	—
I 292/6 low-e plus	—	—	—	—	○	⊙	—	—	—	—	—
Opal and Custom Made Opal #	●	●	●	●	●	●	○	⊙	●	○	○
Blue	—	—	—	○	—	—	—	—	—	—	—
T and T-H	●	●	●	●	●	●	○	⊙	●	○	○
T Color Design H and T Color Design Decor H	●	●	●	●	●	●	○	⊙	●	○	○


Surface textures like Pilkington **Profilit™** Slim Line, Macro, Micro, Clear or Wave upon request.  
 Possible product combinations not listed above and custom made profile types upon request.  
 For the application of Pilkington **Profilit™** in every market the relevant national and international building code requirements and standards have to be considered and followed.

- Stock product; regular production
  - ⊙ Stock product usually available in small amounts; regular production
  - Order driven production
- # without CE-marking as no conformity standard is available.

# Standard max. installation lengths for vertically installed Pilkington **Profilit**™ glazing

Pilkington **Profilit**™ panels sealed and not inclined

Design wind load kN/m <sup>2</sup>	Single glazing (flange inside) 								
	K22 L (m)	K25 L (m)	K32 L (m)	K50 L (m)	K25 Wave L (m)	K22/60/7 L (m)	K25/60/7 L (m)	K32/60/7 L (m)	K25/60/7 Wave L (m)
0,50	2,67	2,53	2,27	1,88	2,53	4,22	3,99	3,59	3,99
0,60	2,45	2,31	2,08	1,72	2,31	3,87	3,66	3,29	3,66
0,70	2,27	2,14	1,93	1,59	2,14	3,58	3,39	3,05	3,39
0,80	2,11	2,00	1,80	1,49	2,00	3,33	3,16	2,84	3,16
0,90	2,00	1,89	1,70	1,41	1,89	3,16	2,99	2,69	2,99
1,00	1,89	1,79	1,61	1,33	1,79	2,98	2,82	2,54	2,82
1,20	1,72	1,63	1,47	1,22	1,63	2,72	2,58	2,32	2,58
1,40	1,60	1,51	1,36	1,13	1,51	2,53	2,40	2,15	2,40
1,60	1,49	1,41	1,27	1,05	1,41	2,36	2,23	2,01	2,23
1,80	1,41	1,34	1,20	0,99	1,34	2,23	2,11	1,90	2,11
2,00	1,34	1,27	1,14	0,94	1,27	2,12	2,00	1,80	2,00
3,00	1,09	1,03	0,93	0,77	1,03	1,73	1,64	1,47	1,64

Design wind load kN/m <sup>2</sup>	Double glazing 								
	K22 L (m)	K25 L (m)	K32 L (m)	K50 L (m)	K25 Wave L (m)	K22/60/7 L (m)	K25/60/7 L (m)	K32/60/7 L (m)	K25/60/7 Wave L (m)
0,50	3,77	3,57	3,21	2,66	3,57	5,96	5,65	5,08	5,65
0,60	3,46	3,27	2,94	2,44	3,27	5,47	5,17	4,65	5,17
0,70	3,20	3,03	2,72	2,26	3,03	5,06	4,79	4,31	4,79
0,80	2,98	2,82	2,54	2,11	2,82	4,71	4,46	4,02	4,46
0,90	2,83	2,67	2,40	1,99	2,67	4,46	4,22	3,80	4,22
1,00	2,67	2,53	2,27	1,88	2,53	4,22	3,99	3,59	3,99
1,10	2,55	2,41	2,17	1,80	2,41	4,02	3,81	3,43	3,81
1,20	2,44	2,31	2,07	1,72	2,31	3,85	3,64	3,28	3,64
1,40	2,27	2,14	1,93	1,59	2,14	3,58	3,39	3,05	3,39
1,60	2,11	2,00	1,80	1,49	2,00	3,33	3,16	2,84	3,16
1,80	2,00	1,89	1,70	1,41	1,89	3,16	2,99	2,69	2,99
2,00	1,90	1,79	1,61	1,33	1,79	2,99	2,83	2,55	2,83
3,00	1,55	1,46	1,32	1,09	1,46	2,44	2,31	2,08	2,31

**Note:**

This table provides standard installation lengths in metres, for vertically installed Pilkington **Profilit**™ glass within closed buildings and should be used as a guide only. However the local national regulations referring to safety parameters still have to be taken into account.

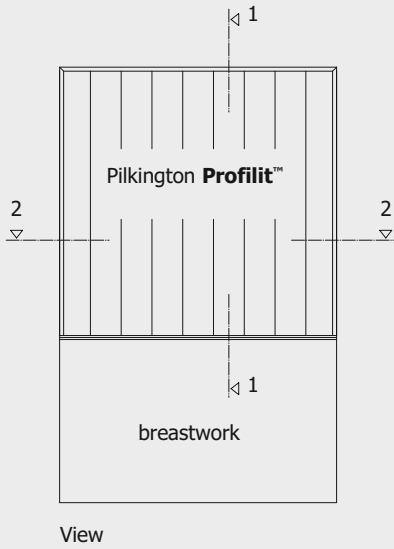
For Pilkington **Profilit**™ Opal the same installation lengths as for the corresponding standard products apply.

Installation lengths for Pilkington **Profilit**™ T / T Color upon request.

**For other applications or for any question please feel free to address the manufacturer's technical service department.**

# Pilkington **Profilit**™ - Standard vertical glazing

Single and double shell glazing

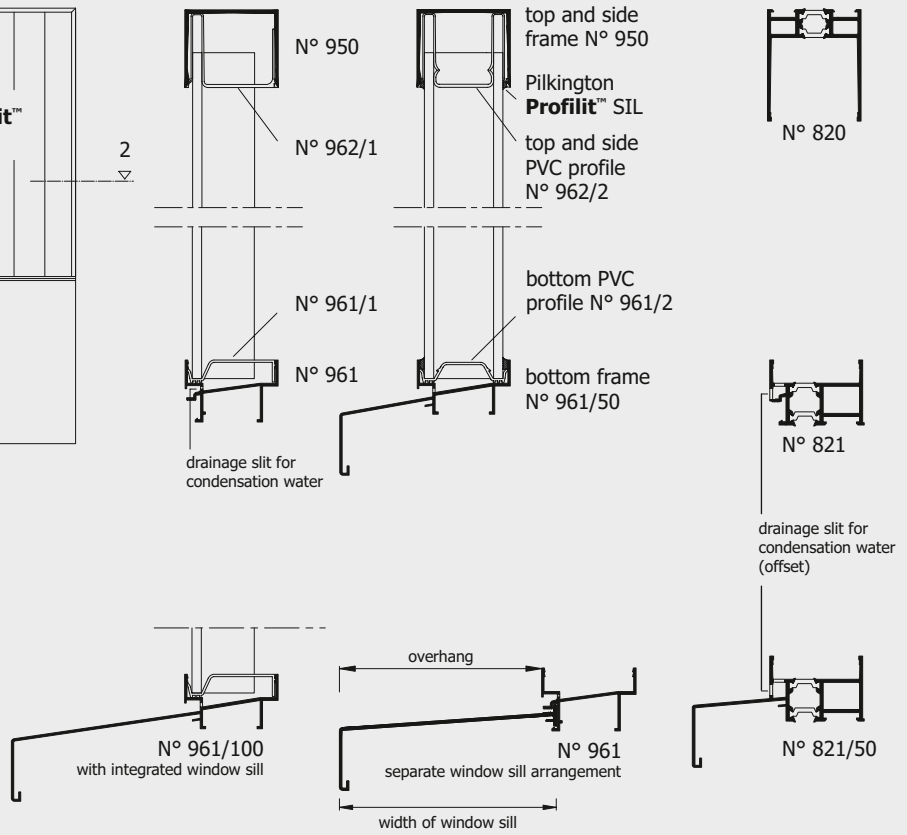


Vertical section 1-1

single shell

double shell

frames with thermal insulation

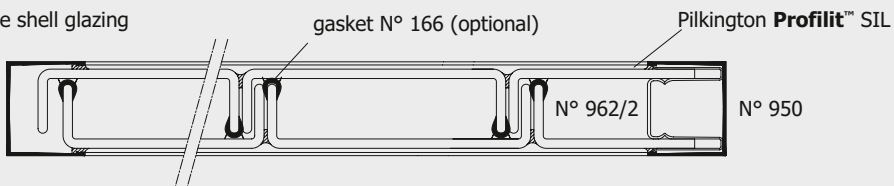


Horizontal section 2-2

Single shell glazing



Double shell glazing



**Note:**

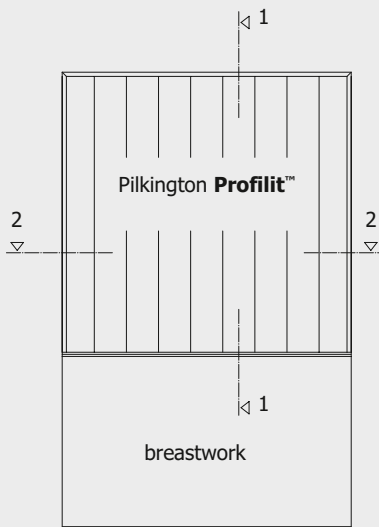
The following pages show illustrations of standard applications for which Pilkington **Profilit**™ profiled glass can be used.

In view of the wide range of application options for Pilkington **Profilit**™ of which the details however cannot be shown here, please contact our applications technology department for any further advice.

# Pilkington **Profilit™** - Special vertical glazing for sport halls

Double shell glazing

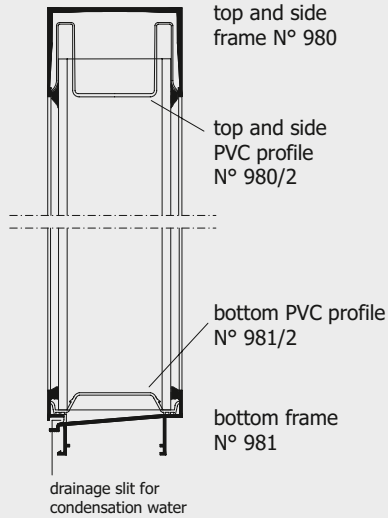
For sport halls see test certificate according to DIN 18032 part 3



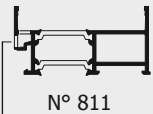
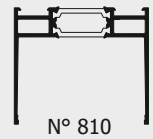
View



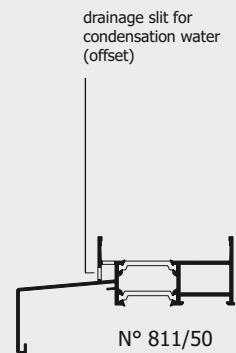
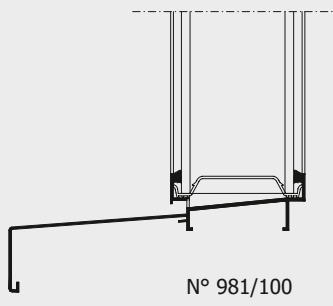
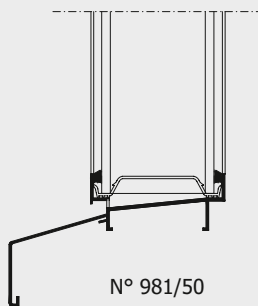
Vertical section 1-1



frames with thermal insulation

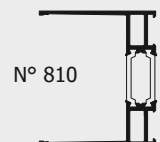
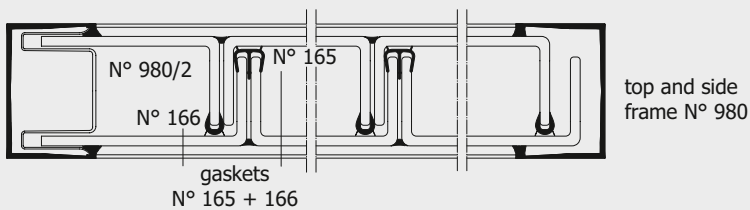


possible for glass types K 22/60/7, K 25/60/7, K 32/60/7

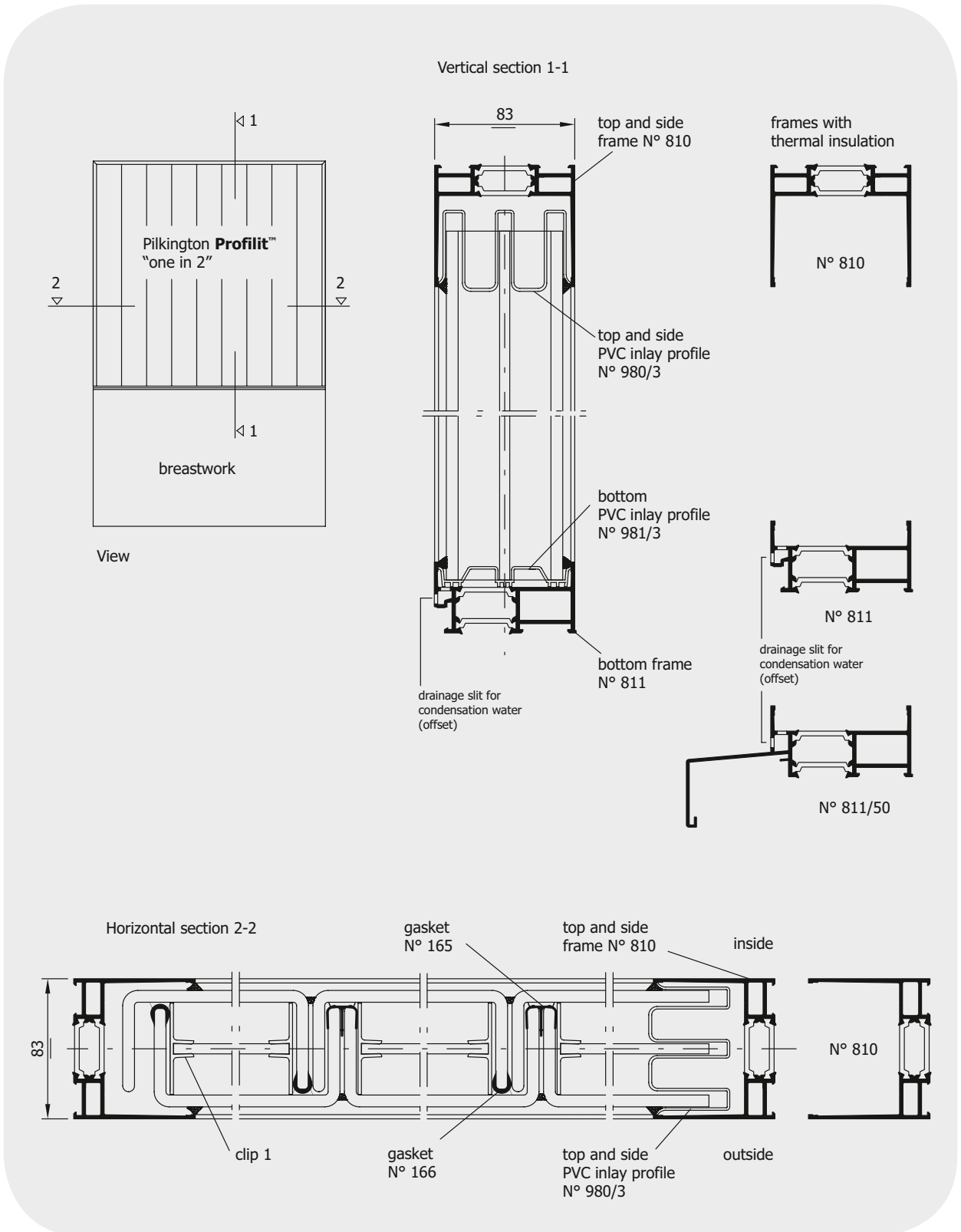


Horizontal section 2-2

Double shell glazing



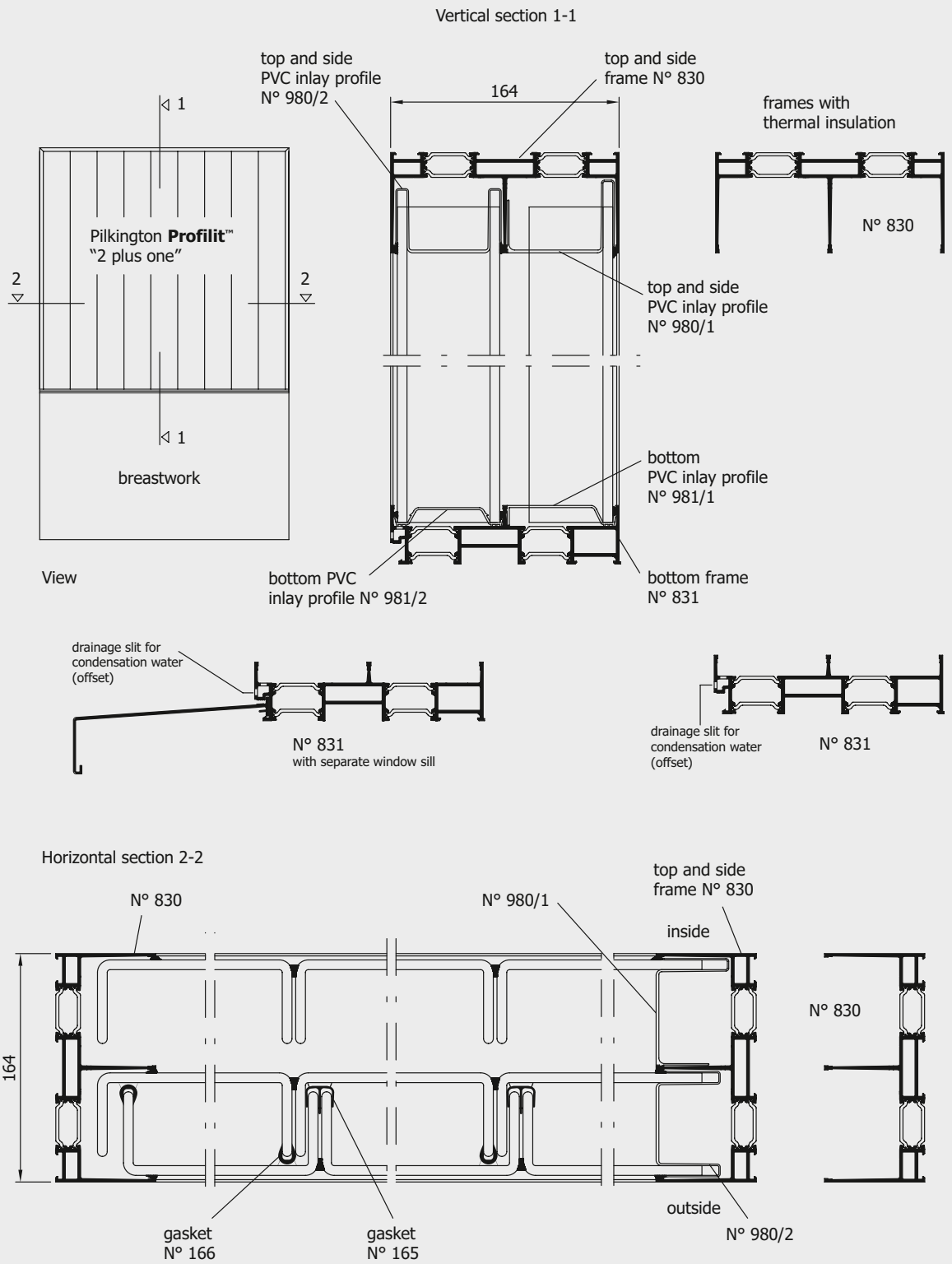
# Pilkington **Profilit™** - System "one in 2"



Profile type	K25/60/7	K32/60/7
Interspace glass pane "one in 2"	I 220/6 Plus 1,7	I 292/6 Plus 1,7

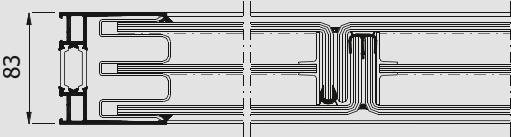
Coating and design options for the interspace glass pane upon request

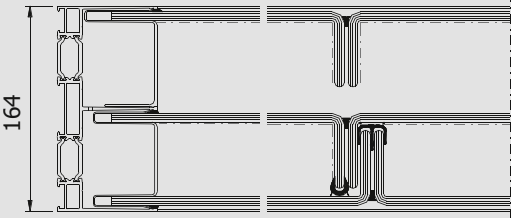
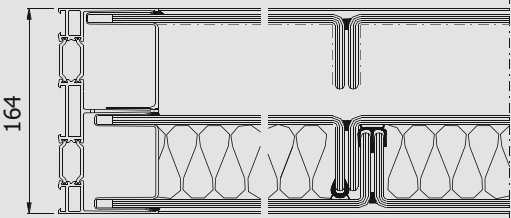
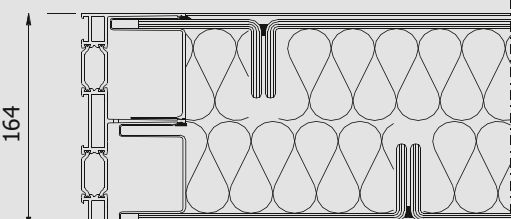
# Pilkington **Profilit™** - System "2 plus one"



# Pilkington **Profilit**™ systems “one in 2” and “2 plus one”

## - Product characteristics

Pilkington <b>Profilit</b> ™ “one in 2”	U <sub>g</sub> -value	g-value	Advantages
	1,3 W/m <sup>2</sup> K to 1,2 W/m <sup>2</sup> K	0,51 to below 0,30	Improved heat insulation Improved solar control High grade of translucency Good noise control Simple installation sequence

Pilkington <b>Profilit</b> ™ “2 plus one”	U <sub>g</sub> -value	g-value	Advantages
	1,1 W/m <sup>2</sup> K to 0,92 W/m <sup>2</sup> K	0,51 to 0,31	Improved heat insulation Improved solar control High grade of translucency Very good noise control Simple installation sequence
	to 0,80 W/m <sup>2</sup> K	below 0,25	Very good heat insulation Very good solar control Very good noise control Simple installation sequence
	to 0,73 W/m <sup>2</sup> K	below 0,20	Very good heat insulation Very good solar control Very good noise control Simple installation sequence



# Pilkington **Profilit**™ – Product characteristics

## Heat insulation, Solar control and Light transmission:

Product combination	U <sub>g</sub> -value [W/m <sup>2</sup> K]	g-value [–]	Light transmission [%]
Pilkington <b>Profilit</b> ™ single glazed	5,7	0,79	86
Pilkington <b>Profilit</b> ™ double glazed without coatings	2,8	0,68	75
Pilkington <b>Profilit</b> ™ double glazed outer shell Pilkington <b>Profilit</b> ™ uncoated inner shell Pilkington <b>Profilit</b> ™ Plus 1,7	1,8	0,63	70
Pilkington <b>Profilit</b> ™ double glazed outer shell Pilkington <b>Profilit</b> ™ Antisol inner shell Pilkington <b>Profilit</b> ™ uncoated	2,8	0,49	43
Pilkington <b>Profilit</b> ™ double glazed outer shell Pilkington <b>Profilit</b> ™ Antisol inner shell Pilkington <b>Profilit</b> ™ Plus 1,7	1,8	0,45	41
Pilkington <b>Profilit</b> ™ double glazed outer shell Pilkington <b>Profilit</b> ™ Amethyst inner shell Pilkington <b>Profilit</b> ™ Amethyst	2,8	0,46	40
Pilkington <b>Profilit</b> ™ double glazed outer shell Pilkington <b>Profilit</b> ™ Amethyst inner shell Pilkington <b>Profilit</b> ™ Plus 1,7	1,8	0,49	51
Pilkington <b>Profilit</b> ™ triple glazed outer shell 7 mm Pilkington <b>Profilit</b> ™ uncoated middle 7 mm Pilkington <b>Profilit</b> ™ low-e plus inner shell 7 mm Pilkington <b>Profilit</b> ™ low-e plus	0,92	0,51	52

U<sub>g</sub>-value according to EN 673, g value and light transmission according to EN 410.

Physical properties for further product combinations are available upon request.

Heat insulation- and solar control characteristics can be further improved by using e.g. triple glazed options or with translucent insulation materials.

## Noise control:

Product combination	R <sub>w</sub> -value [dB]
Pilkington <b>Profilit</b> ™ double glazed without gaskets	up to 41 dB
Pilkington <b>Profilit</b> ™ double glazed with gaskets no. 165 and no. 166	up to 43 dB
Pilkington <b>Profilit</b> ™ triple glazed	up to 57 dB

Noise control values tested in Pilkington **Profilit**™ system according to EN ISO 140-3.

Further information and product combinations upon request.

## Ballwurfsicherheit:

Product combination	Ball impact safety
Pilkington <b>Profilit</b> ™ K22/60/7, K25/60/7 double glazed with gaskets no. 165 and no. 166	tested with handball
Pilkington <b>Profilit</b> ™ T-H K22/60/7, K25/60/7 or K32/60/7 double glazed with gaskets no. 165 and no. 166	tested with handball and hockeyball

Ball impact safety tested according to DIN 18032-3.

Please take into consideration special installation guidelines for Pilkington **Profilit**™ sports hall glazing.

## Note:

Further product- and system characteristics (e.g. regarding safety or weather tightness) can be provided upon request. Please contact our Application Technology Department.

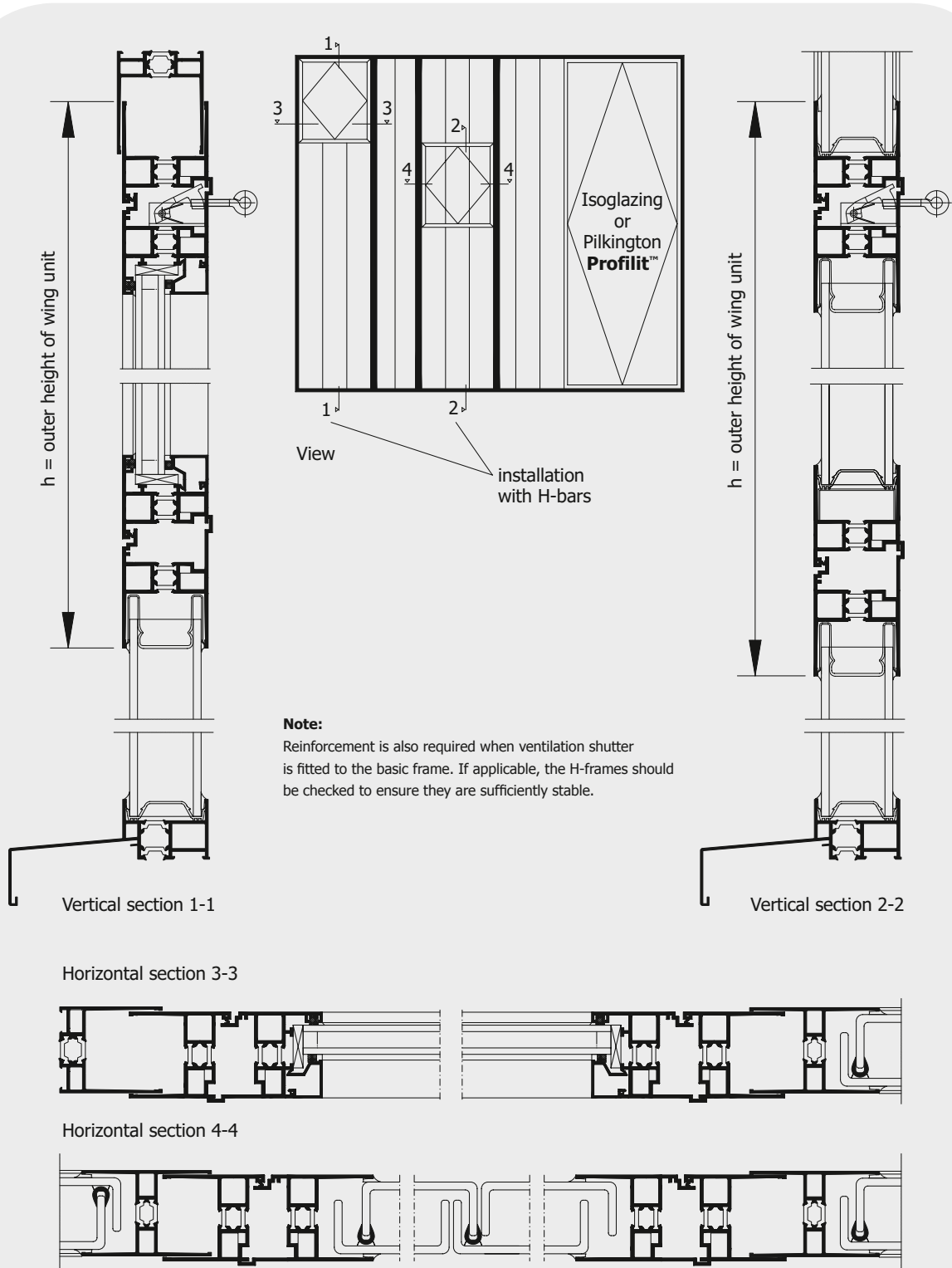
# Pilkington **Profilit™** – Installation of ventilation shutters

## Pilkington **Profilit™** installation system with ventilation shutter unit

The Pilkington **Profilit™** installation system is a modular system essentially comprising the following elements:

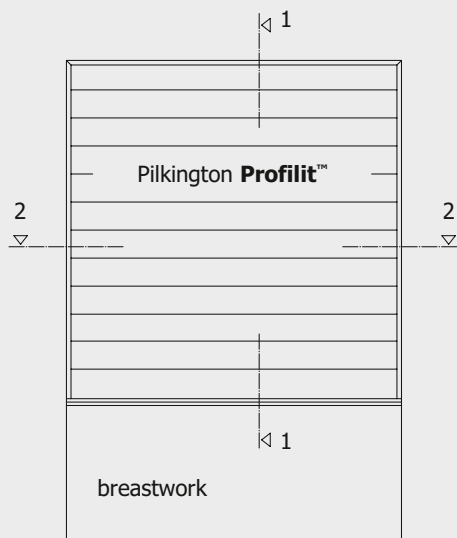
- High-quality **aluminium profiles** – available as mill finished, anodised, RAL coated or thermally insulated options

- **Plastic insert or support profiles** – high impact resistance, light resistance, weatherproof and non warping.
- **Ventilation elements** – standard sizes or made to order; marry perfectly with the Pilkington **Profilit™** installation system, **also available as thermally insulated option**



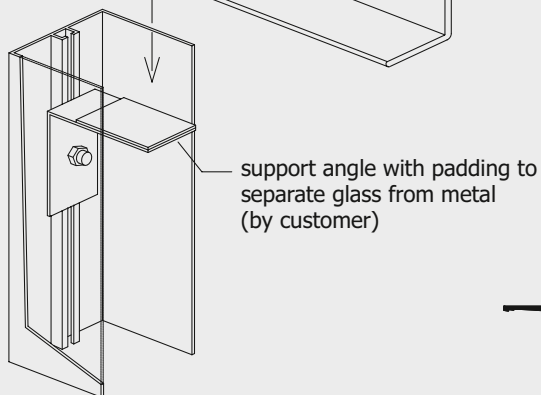
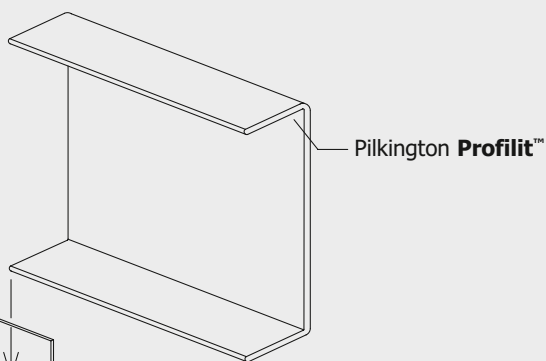
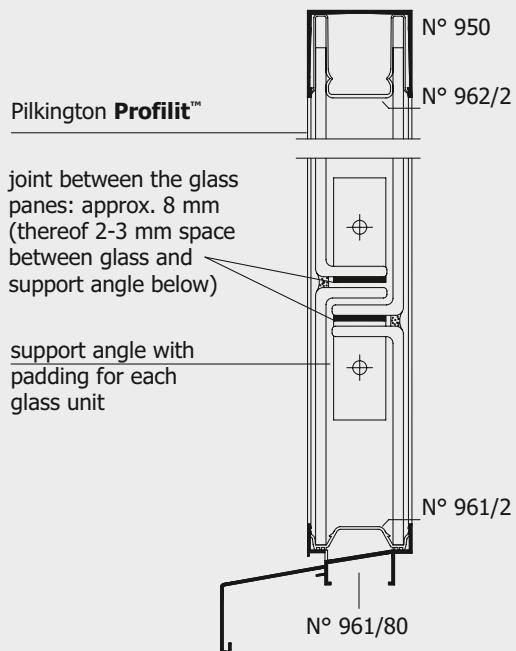
# Pilkington **Profilit**™ - Standard horizontal glazing

Double shell glazing



View

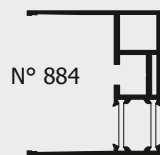
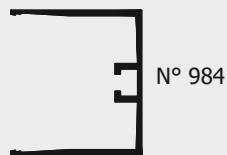
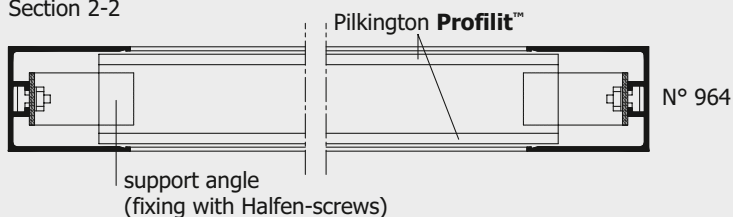
Section 1-1



**Note:**  
different glass types require structurally designed support angles

frames with thermal insulation

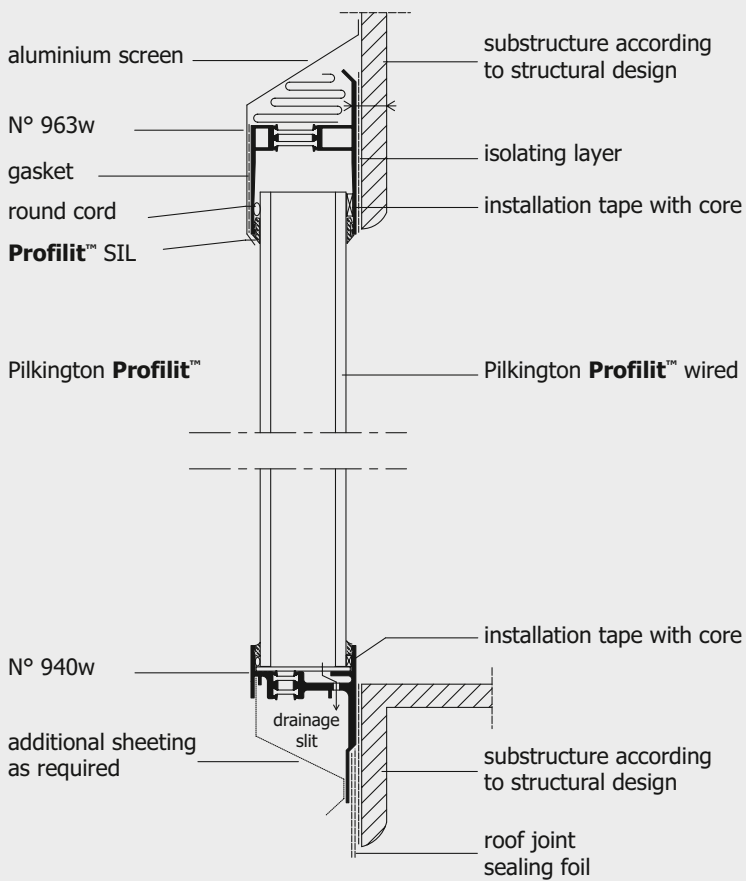
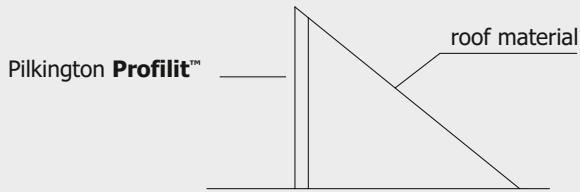
Section 2-2



# Pilkington **Profilit™** – Roof glazing (vertical shed glazing)

Double shell glazing

System sketch



**Note:**

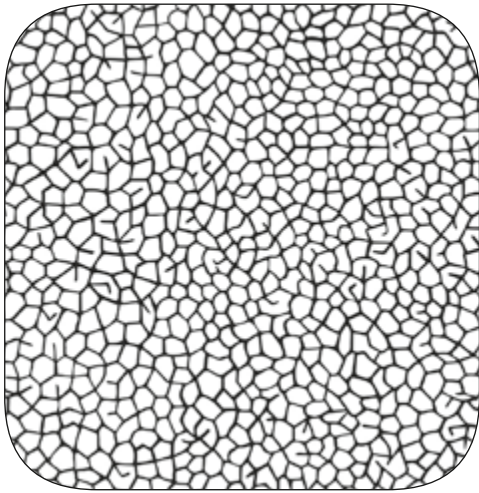
No details concerning roof joints, heat-insulating measures, etc. are given here.

The drainage slits for condensation water made by customers are depending on the fixing of the frames and the inclination of the glazing.

Max. frame loading in case of vertical installation (e.g. non bearing facades) – double layer – due to weight of glass | 3.50 m!

Max. interval between bolts of 20 cm. In case of thermal broken frame N° 940w | 3.00 m.

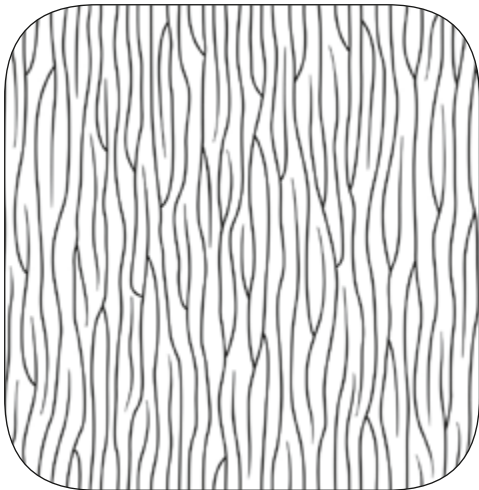
Pilkington **Profilit**™ T Color Design Decor  
Our decors\* for exterior and interior applications



Surrounded



Sumi



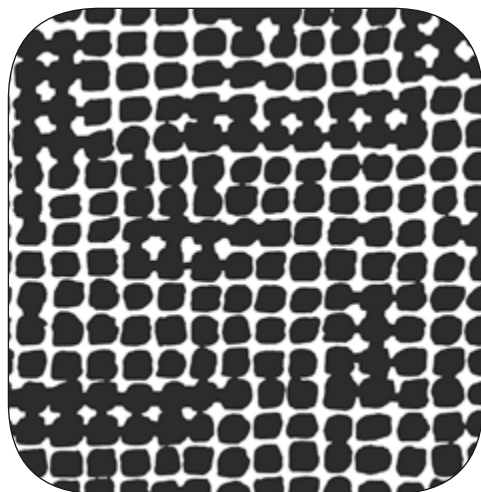
Marée



Caché



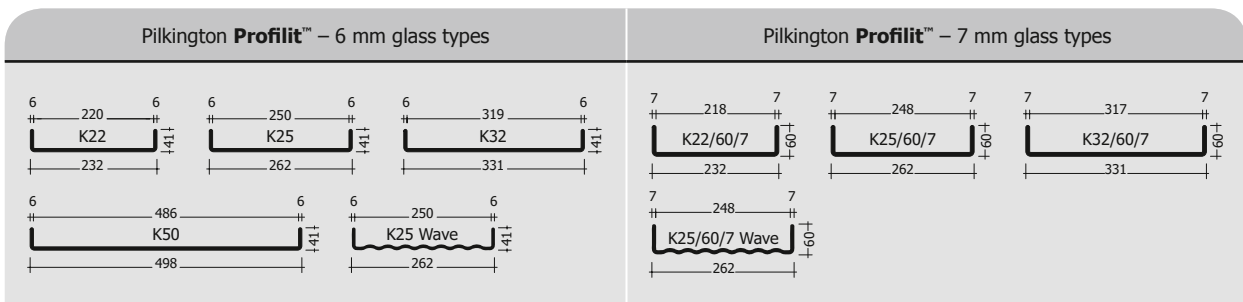
Allée



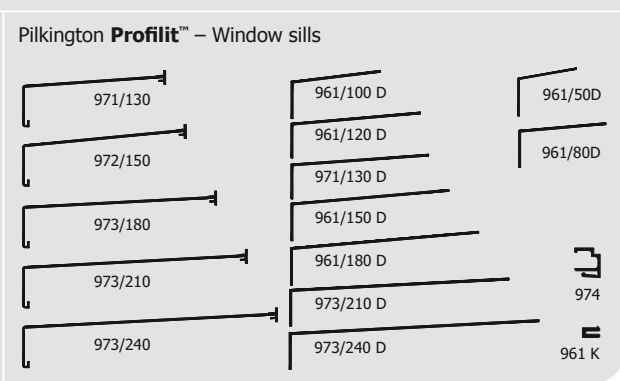
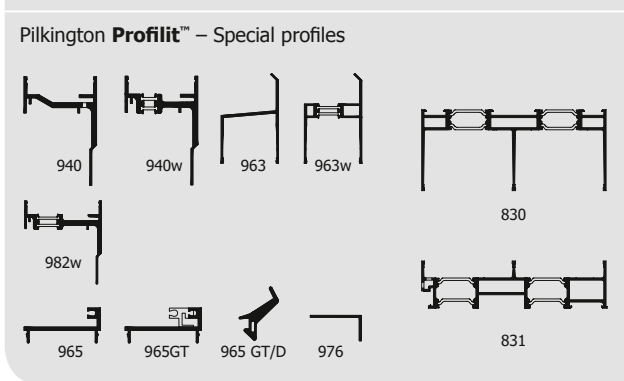
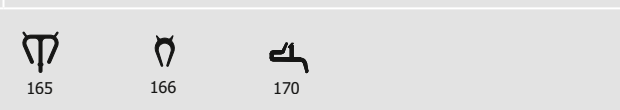
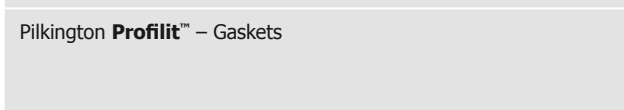
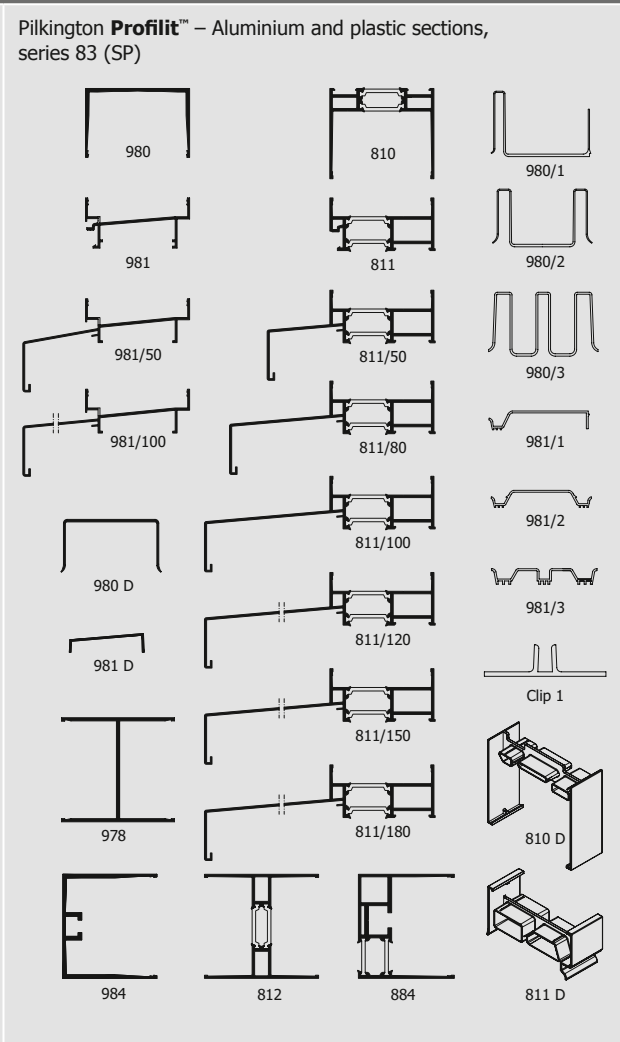
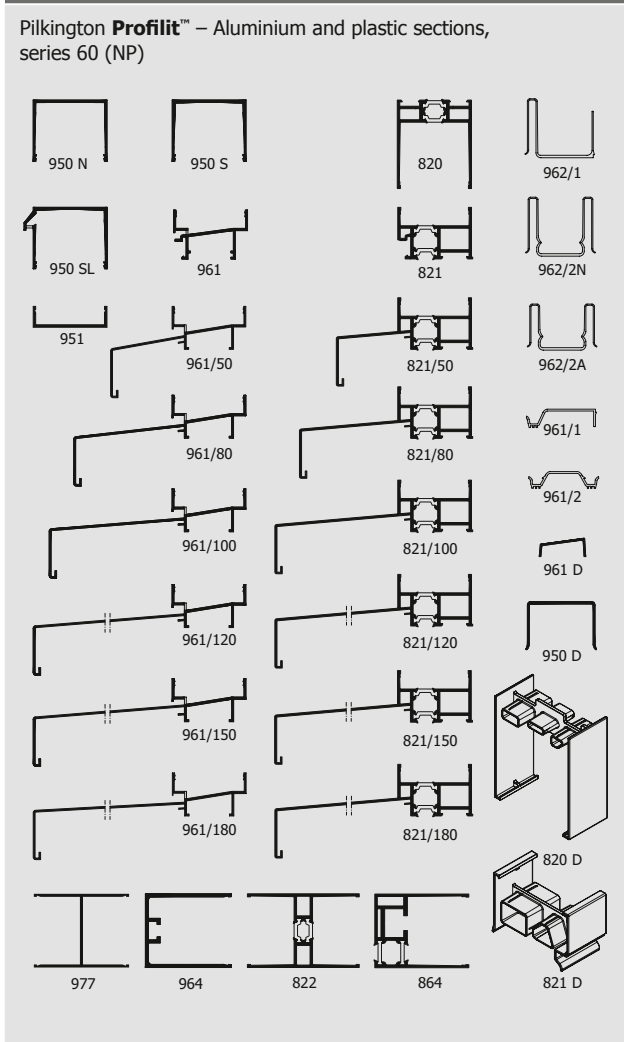
Close

\* Possible colour combinations for the standard and special decors upon request (see also [www.profilit.com](http://www.profilit.com))

# Pilkington **Profilit**™ - Installation components



## Pilkington **Profilit**™ – Accessories



Pilkington <b>Profilit</b> <sup>™</sup> profiles series 60 (NP)		Pilkington <b>Profilit</b> <sup>™</sup> profiles series 83 (SP)		Pilkington <b>Profilit</b> <sup>™</sup> profile description
non thermally broken	thermally broken	non thermally broken	thermally broken	
950 N	820	980	810	Top and side frame
950 S	—	—	—	Top and side frame
950 SL	—	—	—	Top frame with integrated ventilation
961	821	981	811	Bottom frame with drainage slits
951	—	—	—	Bottom frame (interior glazing e.g. for partitions)
961/50	821/50	981/50	811/50	Bottom frame with integrated 50 mm window sill with drainage slits
961/80	821/80	—	811/80	Bottom frame with integrated 80 mm window sill with drainage slits
961/100	821/100	981/100	811/100	Bottom frame with integrated 100 mm window sill with drainage slits
961/120	821/120	—	811/120	Bottom frame with integrated 120 mm window sill with drainage slits
961/150	821/150	—	811/150	Bottom frame with integrated 150 mm window sill with drainage slits
961/180	821/180	—	811/180	Bottom frame with integrated 180 mm window sill with drainage slits
977	822	978	812	H-bar for mounting windows
964	864	984	884	Side frame for horizontal glazing
<b>Pilkington Profilit<sup>™</sup> – PVC inlay profiles</b>				
962/1		980/1		Top and side inlay profile for single glazing
962/2N		980/2		Top and side inlay profile for double glazing
—		980/3		Top and side inlay profile for system "one in 2"
962/2A		—		Top and side inlay profile for installation inside a ventilation shutter for double glazing
961/1		981/1		Bottom inlay profile for single glazing
961/2		981/2		Bottom inlay profile for double glazing
—		981/3		Bottom inlay profile for system "one in 2"
—		Clip 1		Centering clip for system "one in 2"
961 D	—	981 D	—	Expansion joint profile for bottom frames
950 D	—	980 D	—	Expansion joint profile for top and side frames
—	—	—	810 D	Dilatation joint profile for frame 810
—	—	—	811 D	Dilatation joint profile for frame 811
—	820 D	—	—	Dilatation joint profile for frame 820
—	821 D	—	—	Dilatation joint profile for frame 821
<b>Pilkington Profilit<sup>™</sup> – Gaskets and sealing profile</b>				
165		—		Gasket for glass flanges, double
166		—		Gasket for glass flanges, single
170	—	170	—	Sealing profile for Pilkington <b>Profilit</b> <sup>™</sup> frames with integrated window sill no. 961/50.../180, 981/50 and 981/100
<b>Pilkington Profilit<sup>™</sup> – Window sills (separately)</b>				
971/130		—		Window sill profile 130 mm for bottom frames no. 961, 981, 821, 811
972/150		—		Window sill profile 150 mm for bottom frames no. 961, 981, 821, 811
973/180		—		Window sill profile 180 mm for bottom frames no. 961, 981, 821, 811
973/210		—		Window sill profile 210 mm for bottom frames no. 961, 981, 821, 811
973/240		—		Window sill profile 240 mm for bottom frames no. 961, 981, 821, 811
974		—		Rim profile for window sills
961 K		—		PVC clamp profile no. 961 K for the connection of the window sill with the bottom frames no. 961, 981, 821, 811
<b>Pilkington Profilit<sup>™</sup> – Expansion joint profiles for window sills</b>				
961/50 D		—		Expansion joint profile for window sill 50 mm
961/80 D		—		Expansion joint profile for window sill 80 mm
961/100 D		—		Expansion joint profile for window sill 100 mm
961/120 D		—		Expansion joint profile for window sill 120 mm
971/130 D		—		Expansion joint profile for window sill 130 mm
961/150 D		—		Expansion joint profile for window sill 150 mm
961/180 D		—		Expansion joint profile for window sill 180 mm
973/210 D		—		Expansion joint profile for window sill 210 mm
973/240 D		—		Expansion joint profile for window sill 240 mm
<b>Pilkington Profilit<sup>™</sup> – Special profiles</b>				
965	—	—	—	Door frame suitable for wooden and metal doors
965 GT	—	—	—	Door frame suitable for glass doors
965 GT D	—	—	—	Sealing for door frames no. 965 and no. 965 GT
—	—	—	830	Top and side frame for triple and multiple setups with drainage slits
—	—	—	831	Bottom frame for triple and multiple setups with drainage slits
940	940w	—	982w	Bottom shed glazing profile for double glazing
963	963w	—	—	Top shed glazing profile for double glazing
976	—	976	—	Connection angle

The recommendations for tendering in German and English are available as download (WORD- or PDF file) on the homepage [www.profilit.com](http://www.profilit.com).

This publication provides only a general description of the products. Further, more detailed, information may be obtained from your local supplier of Pilkington products. It is the responsibility of the user to ensure that the use of these products is appropriate for any particular application and that such use complies with all relevant legislation, standards, codes of practice and other requirements. To the fullest extent permitted by applicable laws, Nippon Sheet Glass Co. Ltd. and its subsidiary companies disclaim all liability for any error in or omission from this publication and for all consequences of relying on it. Pilkington and "Profilit" are trademarks owned by Nippon Sheet Glass Co. Ltd, or a subsidiary thereof.



CE marking confirms that a product complies with its relevant harmonised European Norm.

The CE marking label for each product, including declared values, can be found at [www.pilkington.com/CE](http://www.pilkington.com/CE)

**NSG**  
GROUP

**Bauglasindustrie GmbH**

Hüttenstraße 33, 66839 Schmelz

Phone +49 (0)6887 303 0, Fax +49 (0)6887 303 45

E-Mail: [profilbauglas@nsg.com](mailto:profilbauglas@nsg.com)

**[www.profilit.com](http://www.profilit.com)**

December 2018