

# SAUNA HINGE F/GLASS DOORS W/MOUTING PLATE

**Model "SLOVAKIA"**

Opening: 180°.  
 Load capacity: 20 kg per hinge.  
 Glass thickness: 6-8 mm.  
 Max glass width: 700 mm.

**One hinge consists of:**

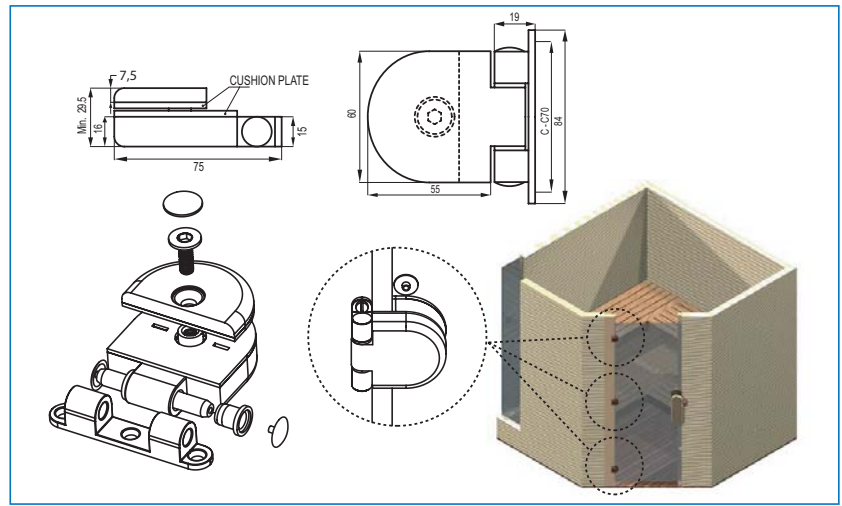
- 1 zamak mounting plate 15 x 84 mm.
- 3 CSK screw holes  $\varnothing$  5 mm. c/c 70 mm.
- 1 zamak hinge body 60 x 55 mm.
- 1 stainless steel connecting pin.
- 2 plastic bushings.
- 1 stainless steel tightening screw M8 x 20 mm.
- 1 transparent height adjustment washer. Bore hole  $\varnothing$  20 mm.
- 1 transparent protection ring.
- Bore hole  $\varnothing$  16 mm.
- 3 plastic cover caps.

**Finish**

- Brown powder painted # 15.25.050
- Chrome plated # 15.25.051
- Alu-look # 15.25.052
- SS-look # 15.25.053
- White powder painted # 15.25.054
- Black matt # 15.25.059



Not for sale in Germany  
Private usage



# SAUNA HINGE F/GLASS DOORS - PIN MOUTING

**Model "TREBISOV"**

Opening: 180°.  
 Load capacity: 20 kg per hinge.  
 Glass thickness: 6-8 mm.  
 Max glass width: 700 mm.

**One hinge consists of:**

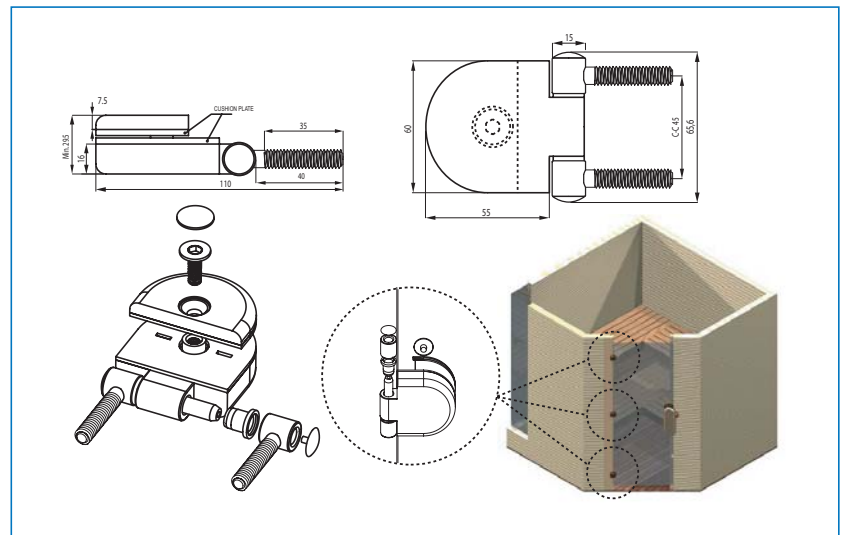
- 2 steel cylinders  $\varnothing$  15 mm w/ M8 x 40 mm pins for door frame mounting. c/c. 45 mm.
- 1 zamak hinge body 60 x 55 mm.
- 1 stainless steel connecting pin.
- 2 plastic bushings.
- 1 stainless steel tightening screw M8 x 20 mm.
- 1 transparent height adjustment washer. Bore hole  $\varnothing$  20 mm.
- 1 transparent protection ring. Bore hole  $\varnothing$  16 mm.
- 3 plastic cover caps.

**Finish**

- Brown powder painted # 15.25.000
- Chrome plated # 15.25.002
- Alu-look # 15.25.001
- SS-look # 15.25.003
- White powder painted # 15.25.004
- Black matt # 15.25.007

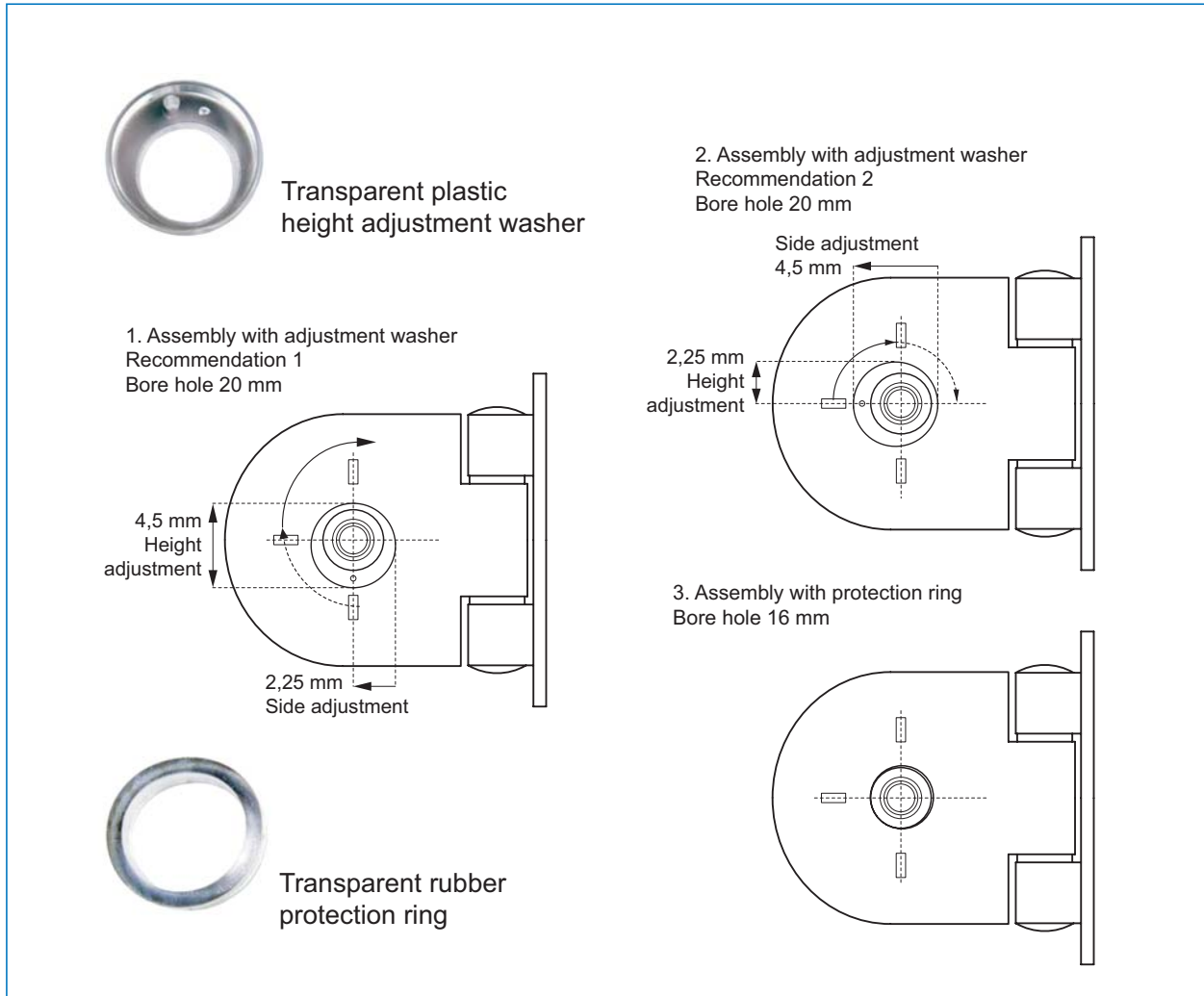


Not for sale in Germany  
Private usage

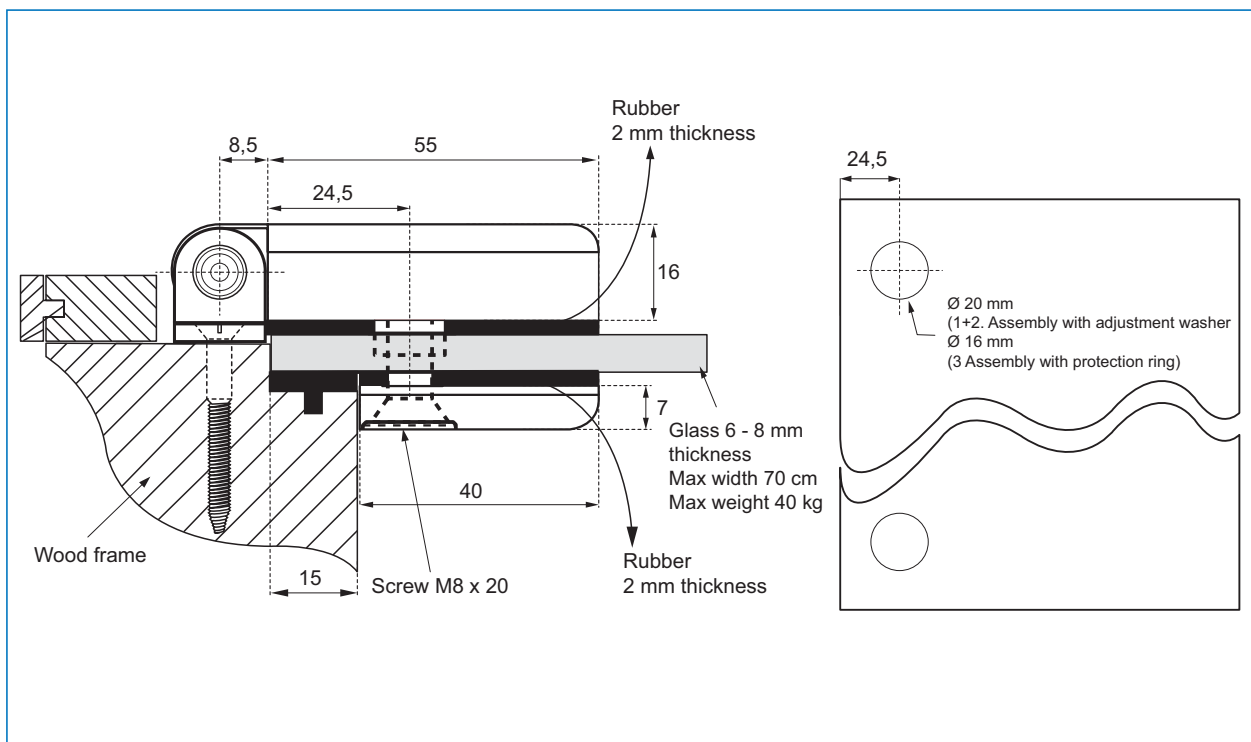


# HEIGHT ADJUSTMENT WASHER INSTRUCTION

- high quality furniture fittings



## MOUNTING INSTRUCTION F/GLASS DOOR HINGE MODEL SLOVAKIA & TREBISOV



# SAUNA HINGE F/WOODEN DOORS - PIN MOUTING

**Model "BELARUS"**

Opening: 180°.

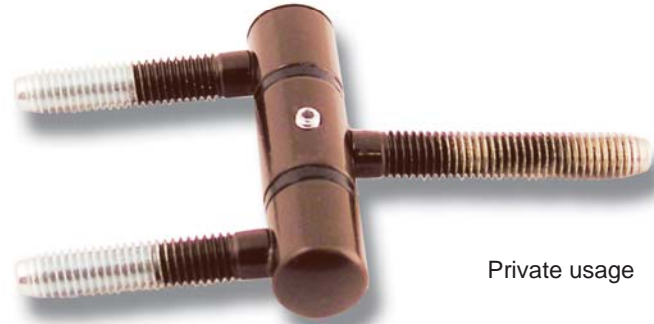
Load capacity: 20 kg per hinge.

**One hinge consists of**

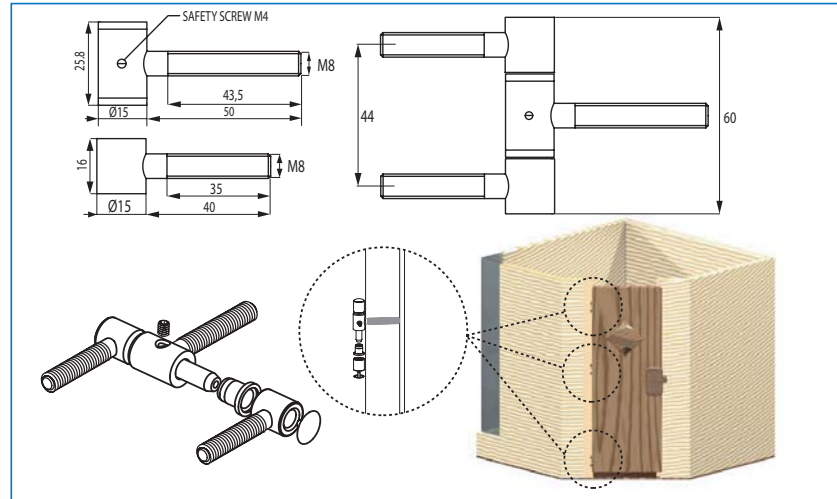
- 2 steel cylinders  $\varnothing 15$  mm  
w/ M8 x 40 mm pins for door frame  
mounting. c/c 44 mm.
- 1 steel cylinder  $\varnothing 15$  mm  
w/ M8 x 50 mm pin for door mounting.
- 1 stainless steel connecting pin.
- 2 plastic bushings.
- 2 plastic cover caps.
- 1 safety screw M4.

**Colour**

Brown powder painted # 15.25.080  
(other colours on request)



Private usage



# SAUNA HINGE F/WOODEN DOORS W/MOUTING PLATE

**Model "ESTI"**

Opening: 180°.

Load capacity: 20 kg per hinge.

**One hinge consists of**

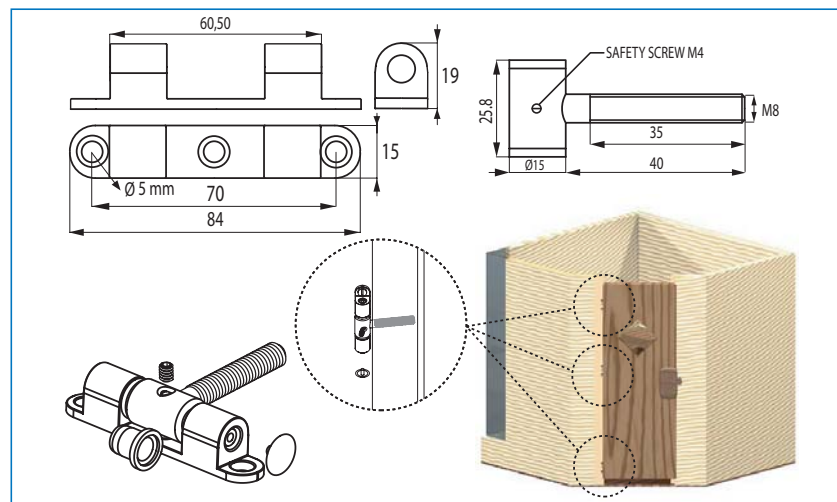
- 1 zamak mounting plate 15 x 84 mm.
- 3 CSK screw holes  $\varnothing 5$  mm. c/c 70 mm.
- 1 steel cylinder  $\varnothing 15$  mm w/ M8 x 50 mm  
pin for door mounting.
- 1 stainless steel connecting pin.
- 2 plastic bushings.
- 2 plastic cover caps.
- 1 safety screw M4.

**Colour**

Brown powder painted # 15.25.070  
(other colours on request)



Private usage



# SAUNA HINGE F/GLASS DOORS - CRANKED

- high quality furniture fittings



## Model "SUOMI"

Opening: 130°.  
Load capacity: 20 kg per hinge.  
Glass thickness: 6-8 mm.  
Max glass width: 700 mm.  
2 bore holes  $\varnothing$  12 mm for extra safety.  
40 mm distance from centre of bore hole to edge of glass door.

### One hinge consists of

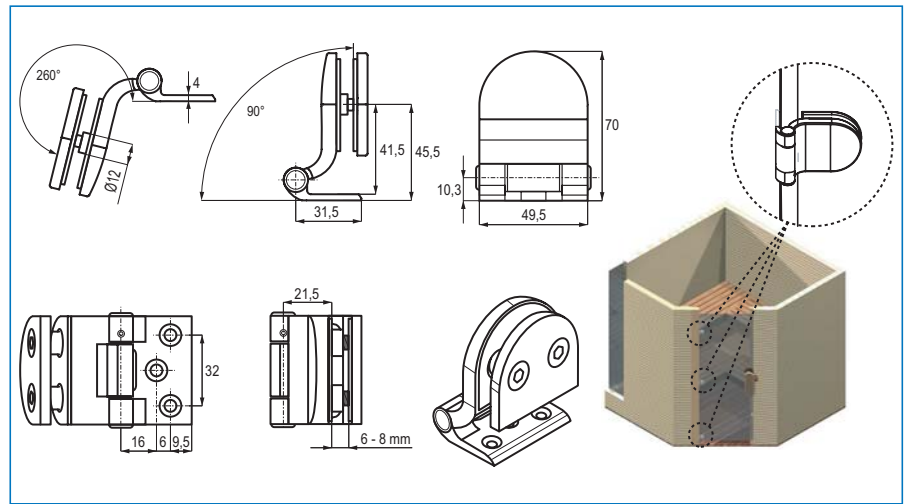
- 1 zamak mounting plate 25 x 50 mm.  
w/3 CSK screw holes  $\varnothing$  5 mm.  
c/c 32mm.
- 1 zamak hinge body 49,5 x 49,5 mm.
- 1 stainless steel connecting pin.
- 2 plastic bushings.
- 1 safety screw M4.
- 2 stainless steel tightening screws  
M8 x 12 mm c/c 25 mm.

### Item No.

- Brown powder painted # 15.25.060
- Chrome plated # 15.25.061
- Alu-look # 15.25.062
- SS-look # 15.25.063
- White powder painted # 15.25.064



Private usage



# SAUNA DOOR CATCH

## Model "UKRAINE"

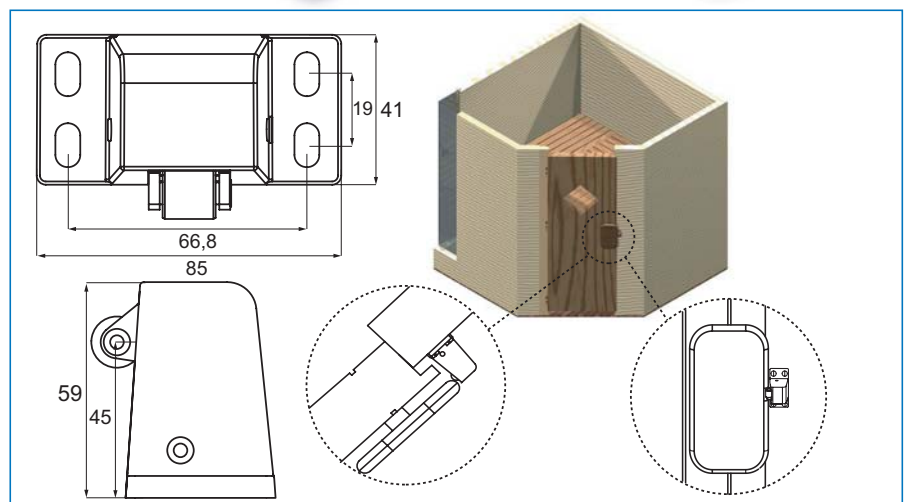
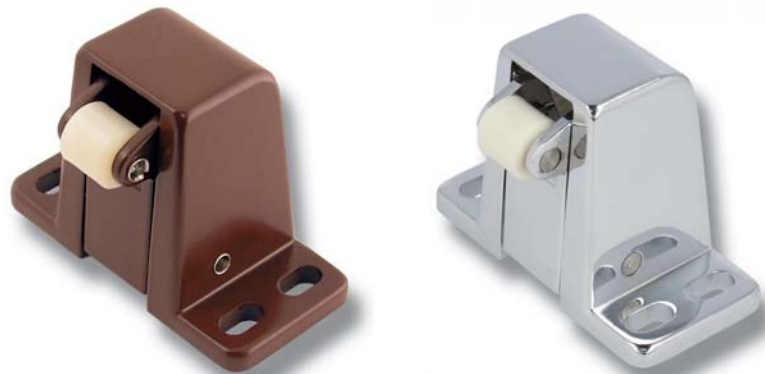
**Size**  
85 x 41 mm

**Material**  
Zamak house & stainless steel spring

**Pulling power**  
13 -15 kg.

**Colour**  
Brown powder painted  
(other colours on request)

- Item No.**
- Brown powder painted # 15.25.020
  - Chrome plated # 15.25.021
  - Alu-look # 15.25.022
  - SS-look # 15.25.023
  - White powder painted # 15.25.024



# SAUNA DOOR CATCH ROLLER W/STRENGHT ADJUSTMENT FUNCTION

**Model "DANIA"**

**Application**

For sauna doors

**Mounting**

Inset hole 29 x 36 mm c.c. 48 mm

**Material**

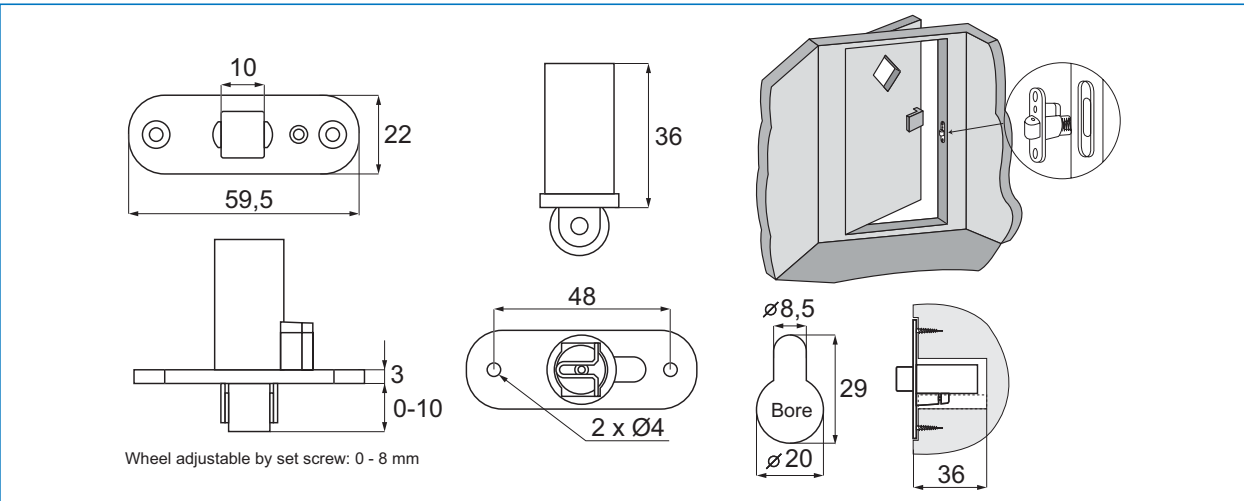
Zamak housing & plastic roller

**Function**

By turning in the screw the depth of the roller can be adjusted from 0 - 8,5 mm

**Item No.**

- Chrome plated # 15.25.030
- Brown powder painted # 15.25.031
- Black matt # 15.25.032



## MAGNET SCREW WITH 14 MM HEX HEAD

**MAGNET SCREWS W/HEX HEAD**

- Size** M6 x 28 mm
- Material** Steel
- Finish** Nickel plated
- Pulling power** 9,5 kg
- Item No.:**
- W/14mm hex head # 15.25.010
- W/22mm hex head # 15.25.009

**CATCH PLATE:**

- Size:** 35 x 27 mm
- Material:** Steel
- Glass thickness:** 6 - 8 mm

**Item No.:**

- Alu-look # 15.25.013
- Nickel plated # 15.25.015/16
- Chrome plated # 15.25.017

