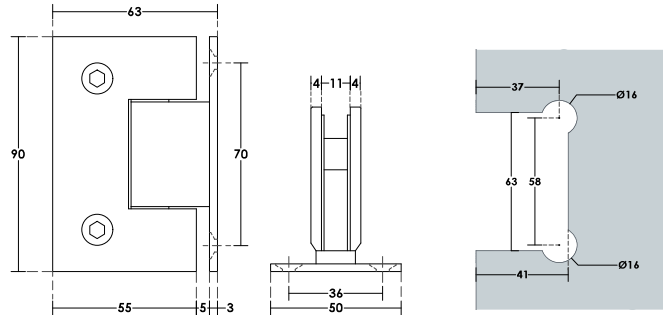
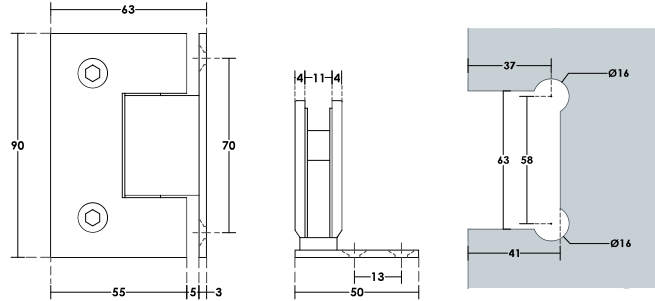




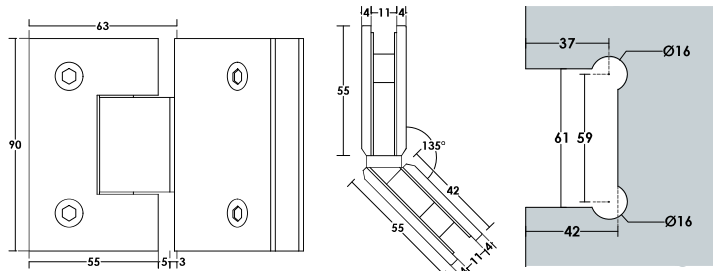
PCA-SH31
Glass - Wall Hinge
 10mm | Glass Thickness
 40 kg | Max. Weight
 Zinc Alloy, Stainless Steel 304 | Material
 Satin, Polished, Black Anodize | Finish



PCA-SH33
Glass - Wall Hinge
 10mm | Glass Thickness
 40 kg | Max. Weight
 Zinc Alloy, Stainless Steel 304 | Material
 Satin, Polished, Black Anodize | Finish



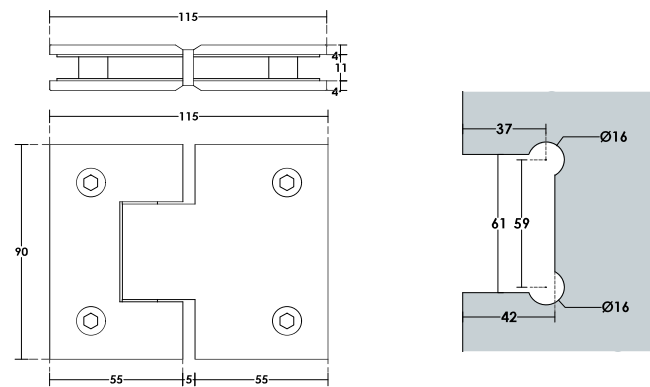
PCA-SH35
135° Glass - Glass Hinge
 10mm | Glass Thickness
 40 kg | Max. Weight
 Zinc Alloy, Stainless Steel 304 | Material
 Satin, Polished, Black Anodize | Finish



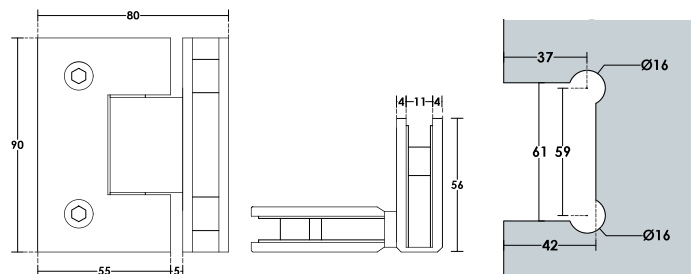
SH35 REQUIRES 45° GLASS GRINDING

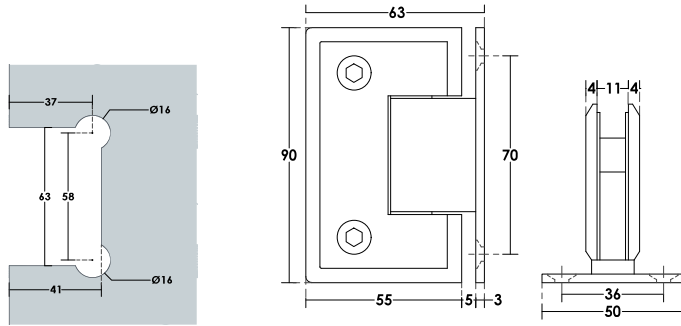


PCA-SH36
180° Glass - Glass Hinge
 10mm | Glass Thickness
 40 kg | Max. Weight
 Zinc Alloy, Stainless Steel 304 | Material
 Satin, Polished, Black Anodize | Finish

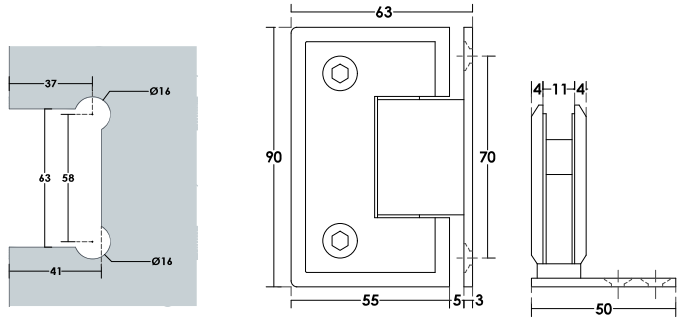


PCA-SH37
90° Glass - Glass Hinge
 10mm | Glass Thickness
 40 kg | Max. Weight
 Zinc Alloy, Stainless Steel 304 | Material
 Satin, Polished, Black Anodize | Finish

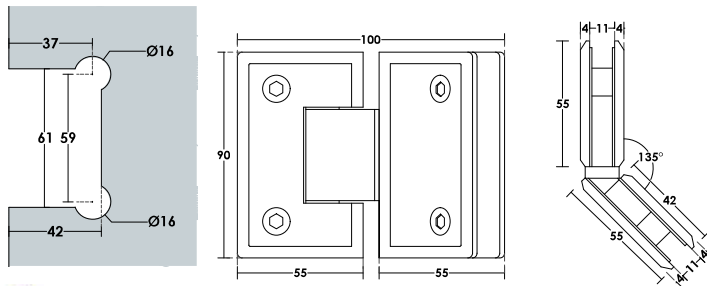




PCA-SH01
Glass - Wall Hinge
 10mm | Glass Thickness
 40 kg | Max. Weight
 Zinc Alloy, Stainless Steel 304 | Material
 Satin, Polished, Black Anodize | Finish



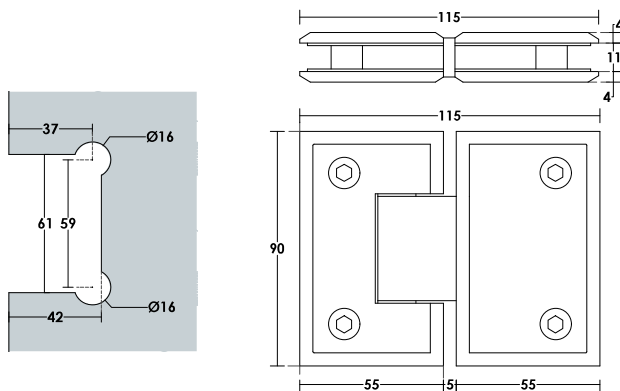
PCA-SH03
Glass - Wall Hinge
 10mm | Glass Thickness
 40 kg | Max. Weight
 Zinc Alloy, Stainless Steel 304 | Material
 Satin, Polished, Black Anodize | Finish



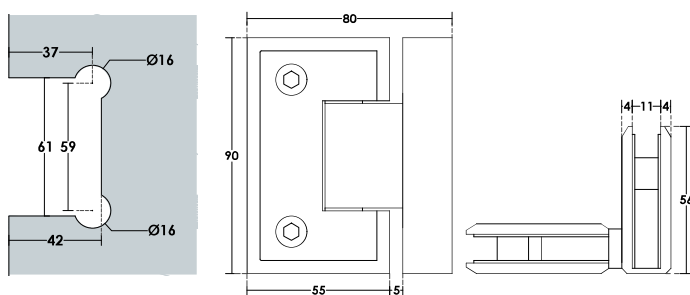
PCA-SH05
135° Glass - Glass Hinge
 10mm | Glass Thickness
 40 kg | Max. Weight
 Zinc Alloy, Stainless Steel 304 | Material
 Satin, Polished, Black Anodize | Finish



SH35 REQUIRES 45° GLASS GRINDING

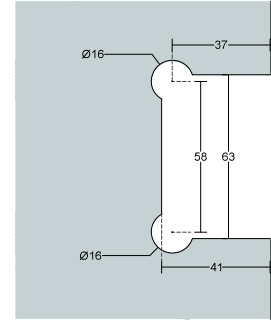
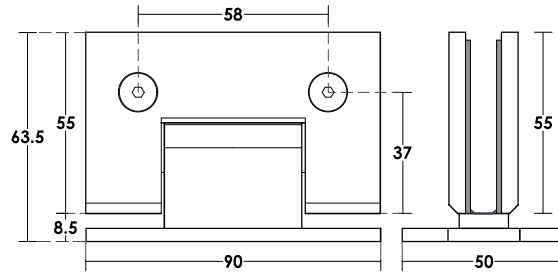


PCA-SH06
180° Glass - Glass Hinge
 10mm | Glass Thickness
 40 kg | Max. Weight
 Zinc Alloy, Stainless Steel 304 | Material
 Satin, Polished, Black Anodize | Finish



PCA-SH07
90° Glass - Glass Hinge
 10mm | Glass Thickness
 40 kg | Max. Weight
 Zinc Alloy, Stainless Steel 304 | Material
 Satin, Polished, Black Anodize | Finish





PCA-SH49

Glass - Wall Hinge

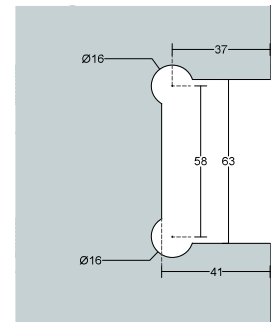
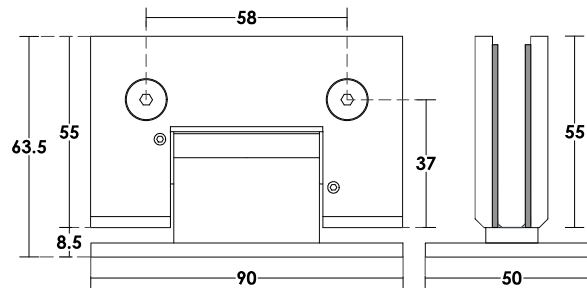
10-12mm | Glass Thickness

50 kg | Max. Weight

Brass | Material

Satin, Polished, Black Anodize | Finish

Double action 90°



PCA-SH50

Adjustable Glass - Wall Hinge

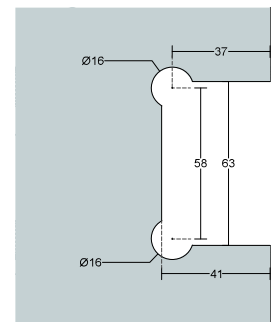
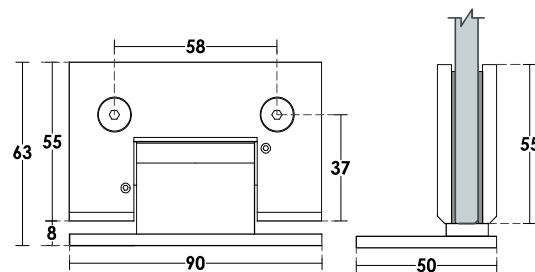
8-10mm | Glass Thickness

45 kg | Max. Weight

Brass | Material

Satin, Polished | Finish

Double action 90°
Adjustable corner from 0° to 10°



PCA-SH51

Glass - Wall Hinge

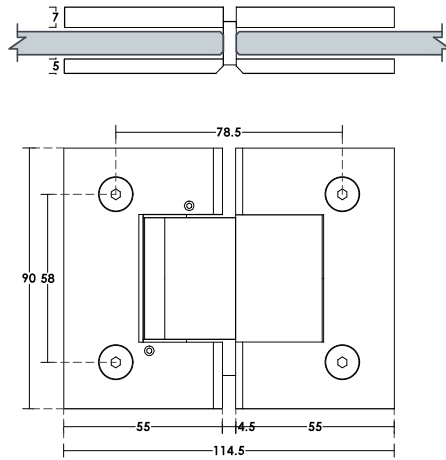
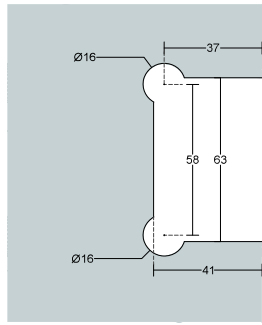
8-10mm | Glass Thickness

45 kg | Max. Weight

Brass | Material

Satin, Polished | Finish

Hidden screw
Double action 90°
Adjustable corner from 0° to 10°

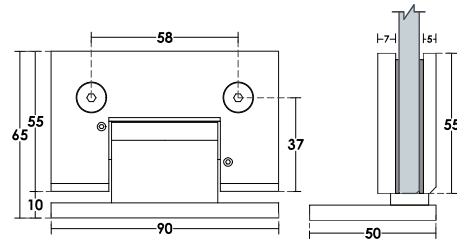
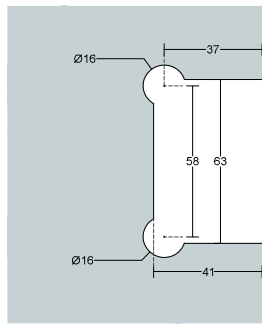


SHOWER CABIN

Double action 90°
Adjustable corner from 0° to 10°

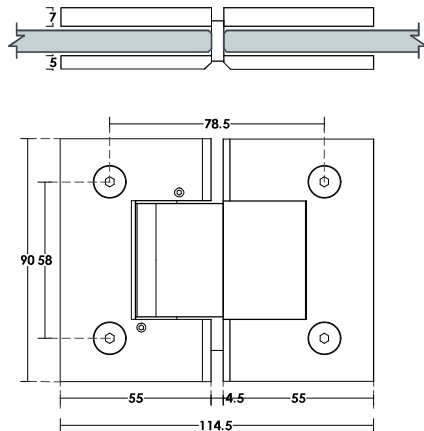
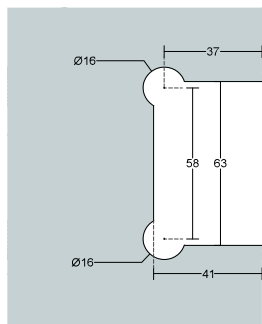
PCA-SH52
180° Adjustable Glass - Glass Hinge
8-10mm | Glass Thickness
45 kg | Max. Weight
Brass | Material
Satin, Polished | Finish

HIDDEN SCREWS - MINIMAL VIEW

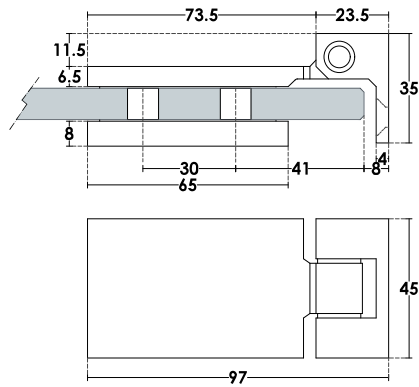


Sliding cover

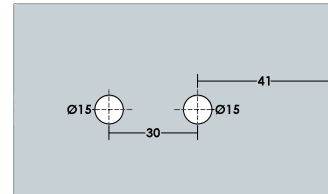
PCA-SH53
Glass - Wall Hinge
8-10mm | Glass Thickness
45 kg | Max. Weight
Brass | Material
Satin, Polished | Finish



PCA-SH54
180° Glass - Glass Hinge
8-10mm | Glass Thickness
45 kg | Max. Weight
Brass | Material
Satin, Polished | Finish



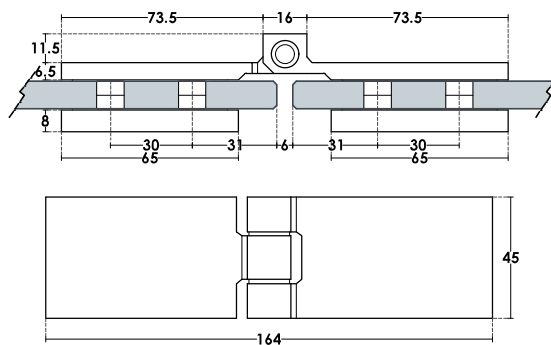
Glass Cut



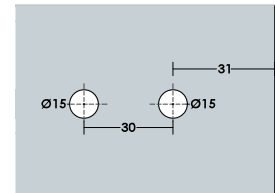
PCA-SH45

Glass - Wall Hinge

10mm | Glass Thickness
 40 kg | Max. Weight
 Stainless Steel 304 | Material
 Satin, Polished, Black Anodize | Finish



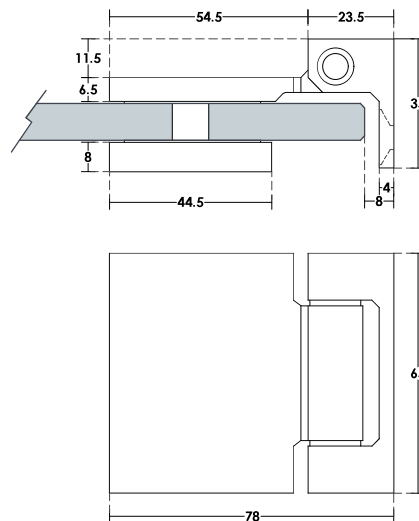
Glass Cut



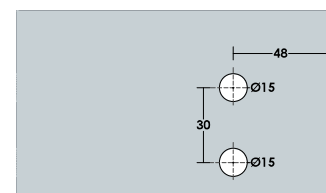
PCA-SH46

Glass - Glass Hinge

10mm | Glass Thickness
 40 kg | Max. Weight
 Stainless Steel 304 | Material
 Satin, Polished, Black Anodize | Finish



Glass Cut



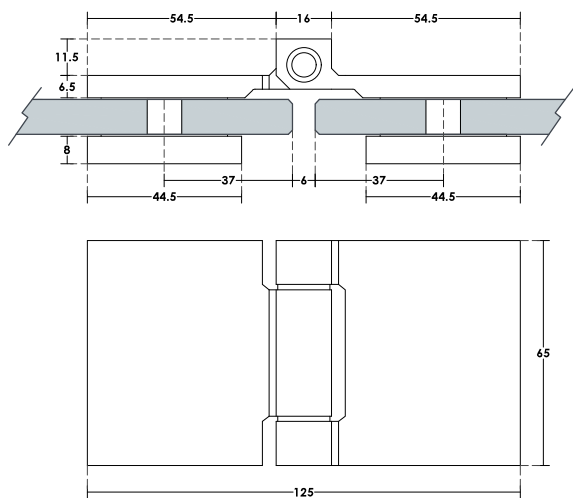
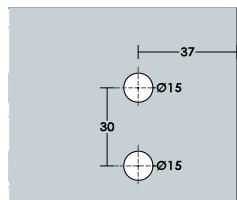
PCA-SH47

Glass - Wall Hinge

10mm | Glass Thickness
 40 kg | Max. Weight
 Stainless Steel 304 | Material
 Satin, Polished, Black Anodize | Finish



Glass Cut

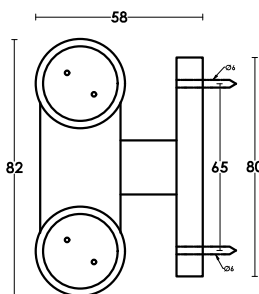
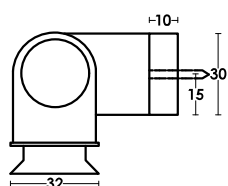
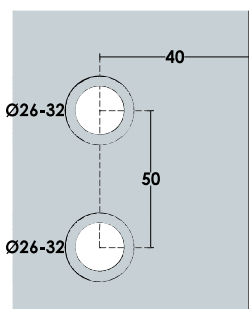


SHOWER CABIN

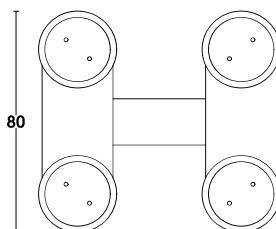
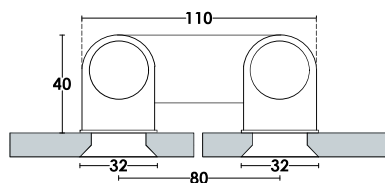
PCA-SH48
Glass - Glass Hinge
 10mm | Glass Thickness
 40 kg | Max. Weight
 Stainless Steel 304 | Material
 Satin, Polished, Black Anodize | Finish



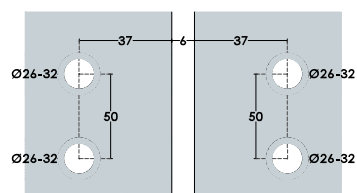
Glass Cut



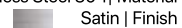
PCA-SH17
Glass - Wall Hinge
 10mm | Glass Thickness
 40 kg | Max. Weight
 Stainless Steel 304 | Material
 Satin | Finish



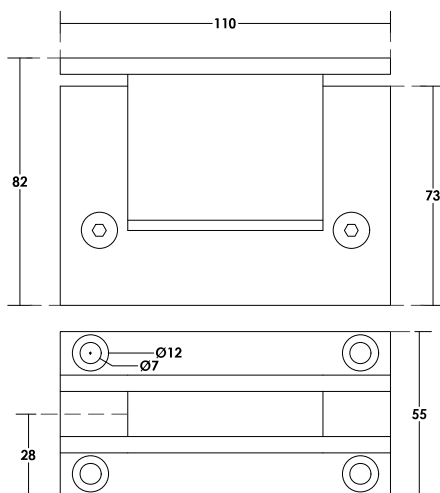
Glass Cut



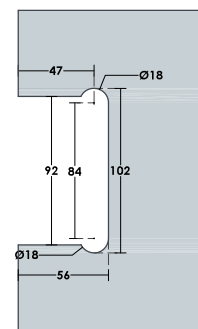
PCA-SH18
Glass - Glass Hinge
 10mm | Glass Thickness
 40 kg | Max. Weight
 Stainless Steel 304 | Material
 Satin | Finish



HYDRAULIC GLASS DOOR HINGE



NEW

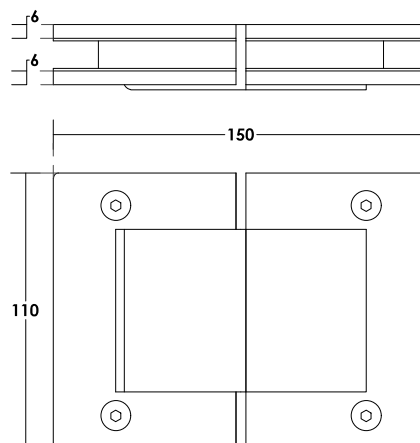


Glass Cut

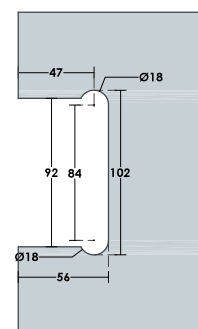
PCA-SH55

Hydraulic Hinge

8-14mm | Glass Thickness
 60 kg | Max. Door Weight
 95° double action | Max. Opening Angle
 240cm | Max. Door Height
 100cm | Max. Door Width
 Stainless Steel | Material
 Satin, Polished | Finish



NEW



Glass Cut

PCA-SH56

Hydraulic Hinge

8-14mm | Glass Thickness
 60 kg | Max. Door Weight
 95° double action | Max. Opening Angle
 240cm | Max. Door Height
 100cm | Max. Door Width
 Stainless Steel | Material
 Satin, Polished | Finish

- Set of 1 spring hinge and 1 hydraulic hinge.
- The spring glass hinge is for restoring, hydraulic glass hinge is for soft closing, speed adjustable.
- 90° - 95° hold open function is optional.
- Easy installation, the installation method is same as normal glass hinge.
- Excellent durability, precision manufacturing technology.

PIVOT GLASS DOOR HINGE



PCA-SH20
Top or Bottom Mount Pivot Hinge
 8-10mm | Glass Thickness
 45 kg | Max. Weight
 Brass | Material
 Satin, Polished | Finish

SHOWER CABIN

