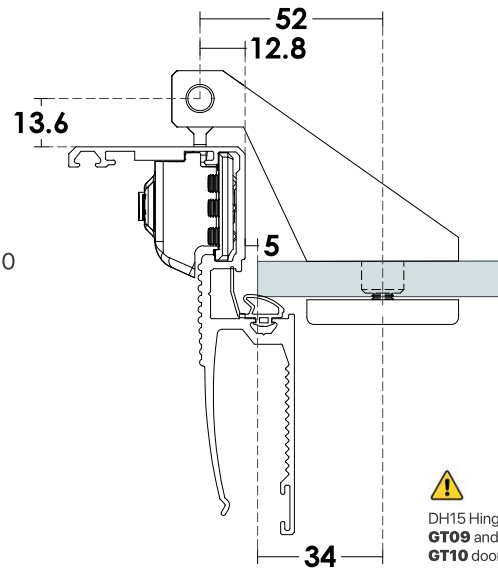


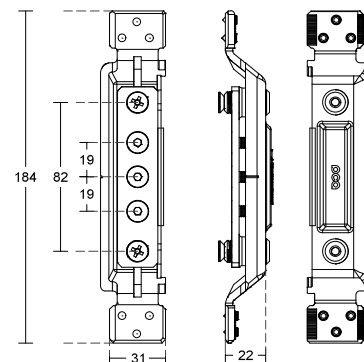
PCA-DH15
3D Door Hinge
 10mm | Glass Thickness
 80 kg | Max. Load
 Aluminium | Material
 Natural Anodize, Satin | Finish



Installation Detail with GT10



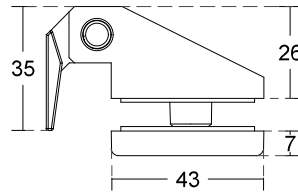
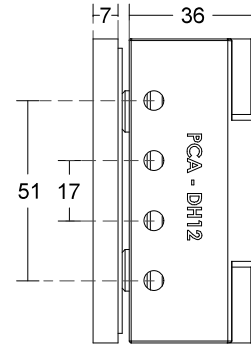
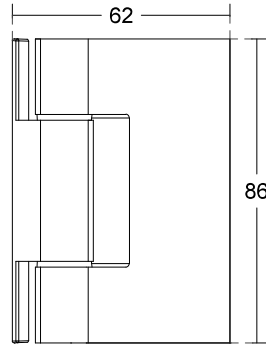
!
 DH-15 Hinge only install with
GT09 and
GT10 door frame profiles.



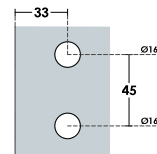
PCA-DH-3D
Door Hinge 3D Adjustment Plate
 Stainless Steel 304 | Material



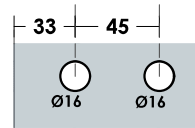
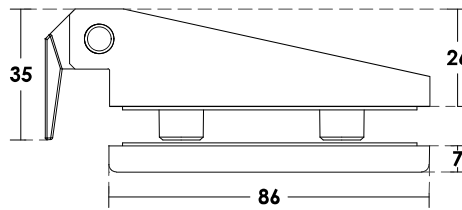
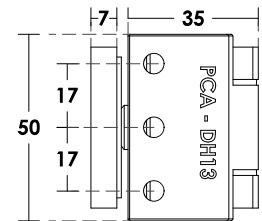
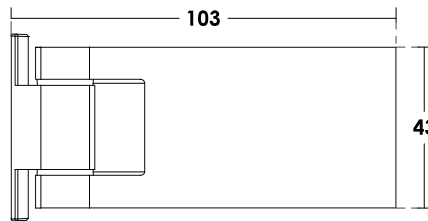
PCA-DH12
Door Hinge
 10mm | Glass Thickness
 50 kg | Max. Load
 Aluminium | Material
 Natural Anodize, Satin, Black | Finish



Glass Cut



PCA-DH13
Door Hinge
 10mm | Glass Thickness
 50 kg | Max. Load
 Aluminium | Material
 Natural Anodize, Satin, Black | Finish



Glass Cut

! DH12 and DH13 Hinges can be installed with all door frame profiles.



PCA-DH-2D
Door Hinge 2D Adjustment Plate
 Stainless Steel 304 | Material

