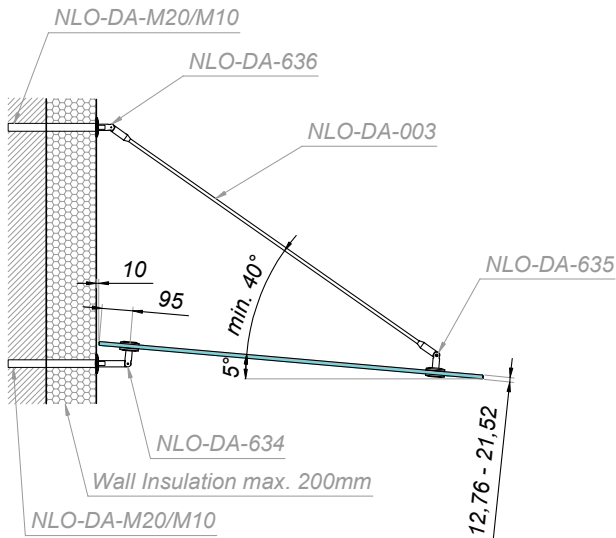
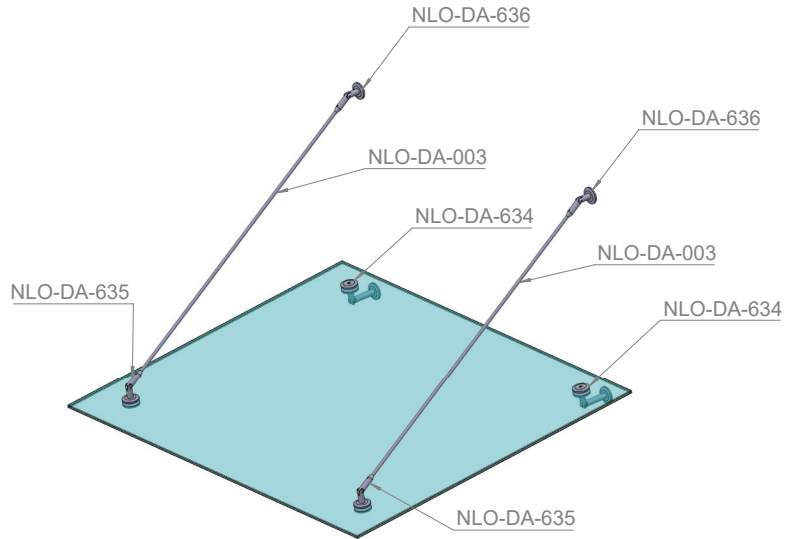


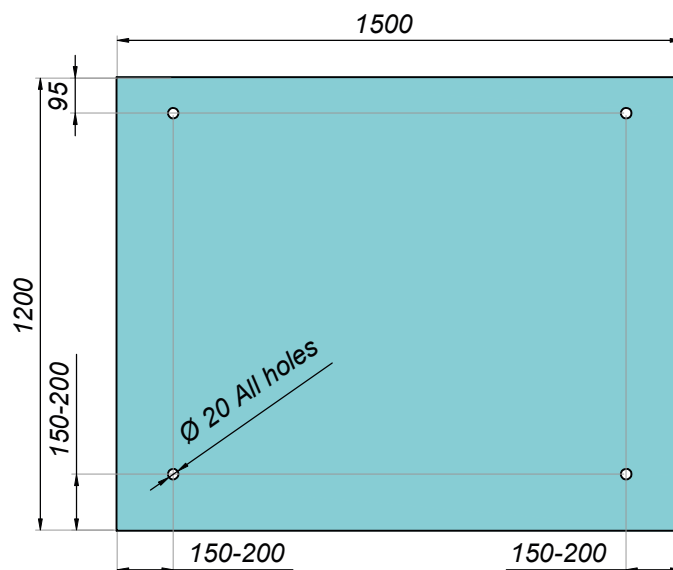
15

ELEMENTS FOR  
**GLASS CANOPIES**

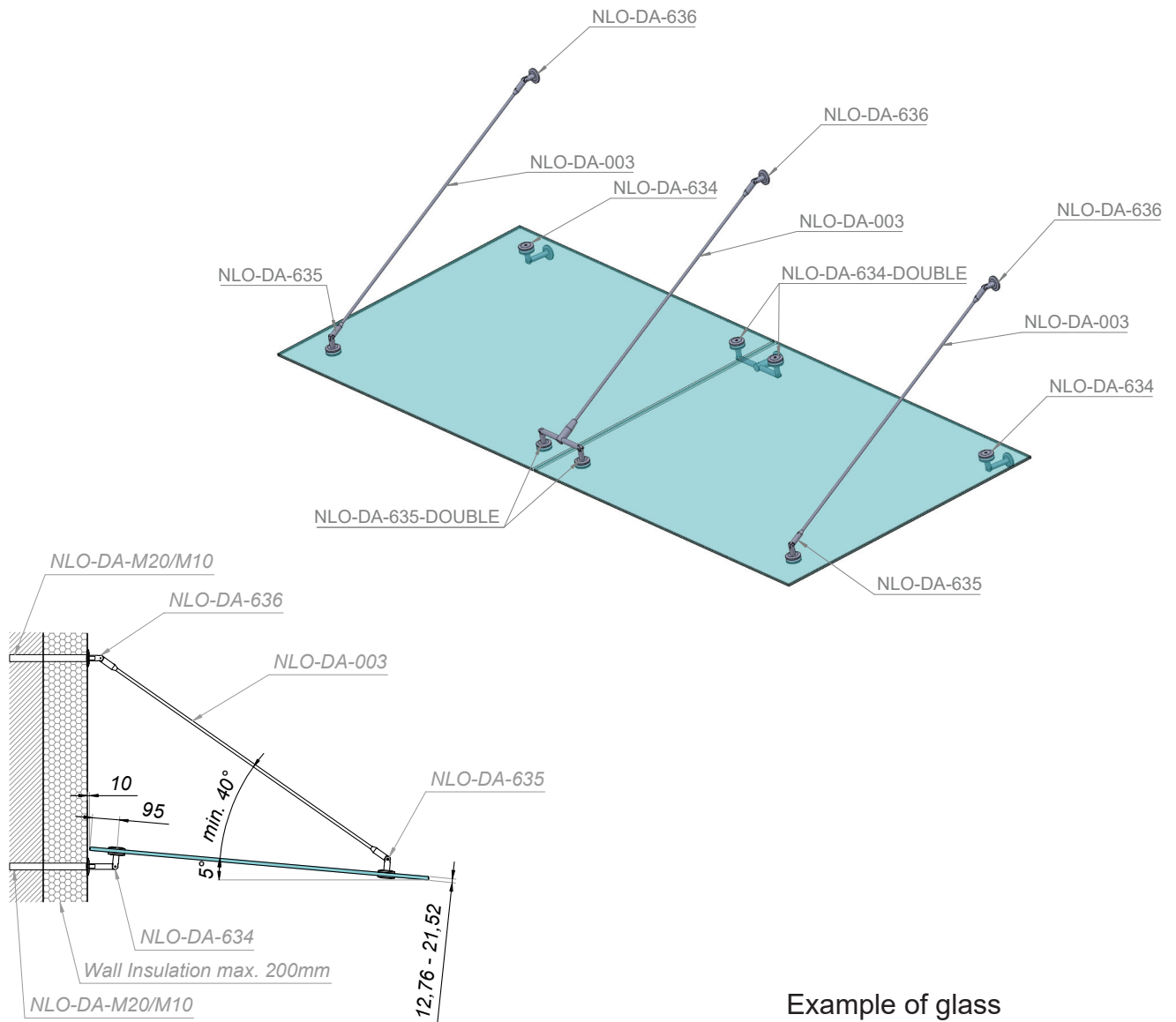
# Elements for glass canopies



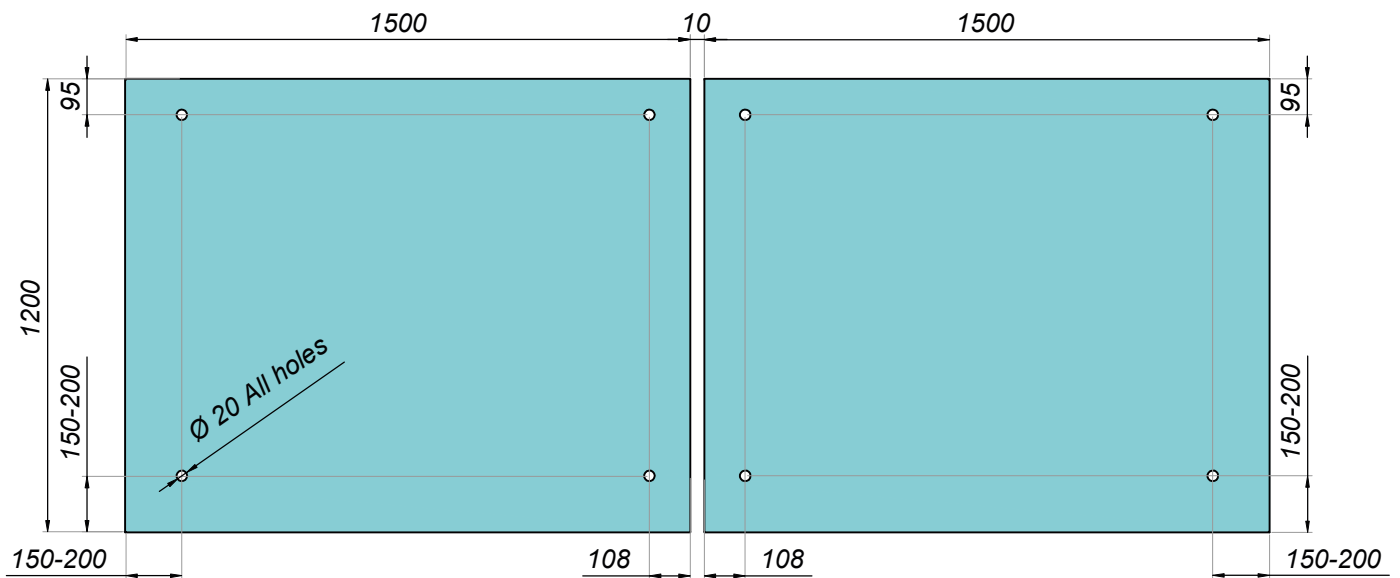
Example of glass dimensions



# Elements for glass canopies



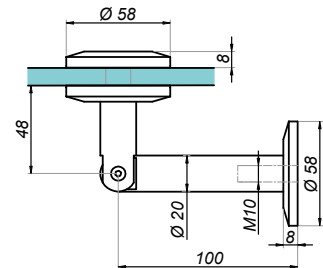
Example of glass dimensions



## Connector wall-glass

NLO-DA-634

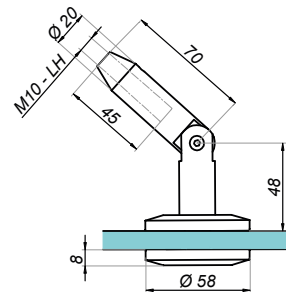
Product code	Material
NLO-DA-634/304	steel 304
NLO-DA-634/316	steel 316
Properties	
Glass thickness	12,76-21,52 mm
Thread type	right
Glass holes diameter	Ø14



## Connector tension rod-glass

NLO-DA-635

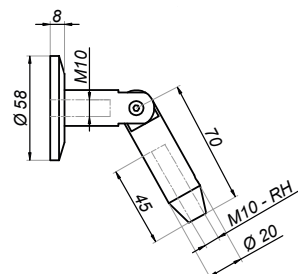
Product code	Material
NLO-DA-635/304	steel 304
NLO-DA-635/316	steel 316
Properties	
Glass thickness	12,76-21,52 mm
Thread type	left
Glass holes diameter	Ø14



## Connector wall-tension rod

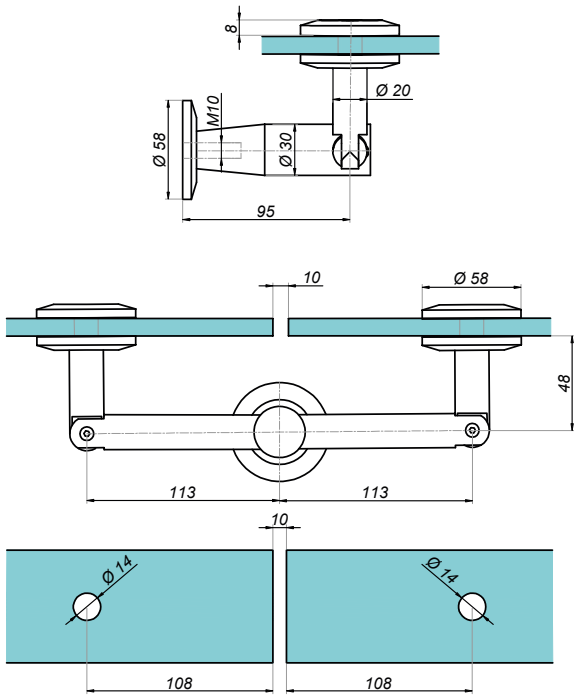
NLO-DA-636

Product code	Material
NLO-DA-636/304	steel 304
NLO-DA-636/316	steel 316
Properties	
Thread type	right



## Double connector wall-glass

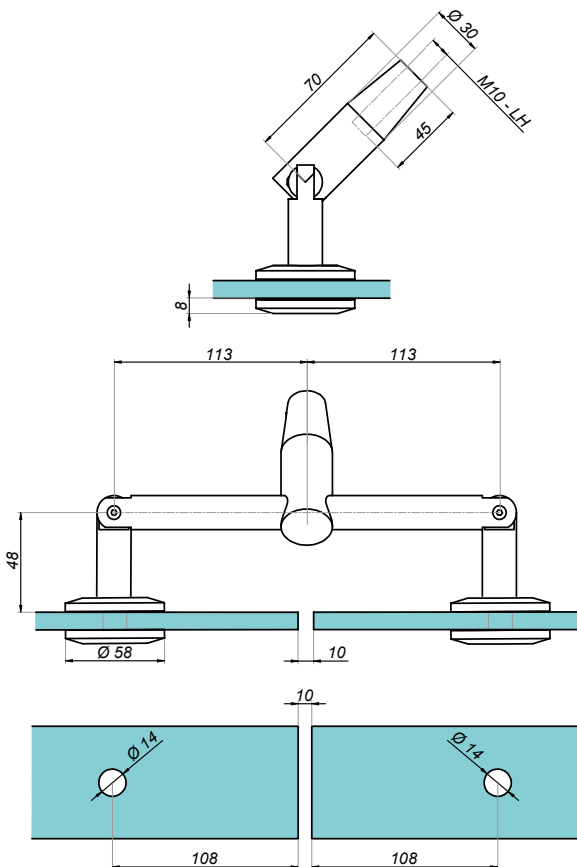
NLO-DA-634-DOUBLE



Product code	Material
NLO-DA-634/304-DOUBLE	steel 304
Properties	
Glass thickness	12,76-21,52 mm
Thread type	right
Glass holes diameter	Ø14

## Double connector tension rod-glass

NLO-DA-635-DOUBLE

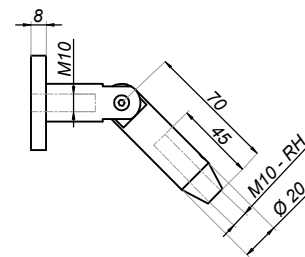
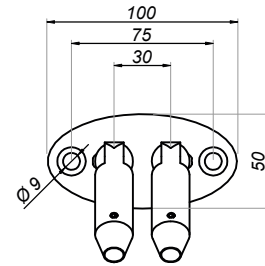


Product code	Material
NLO-DA-635/304-DOUBLE	steel 304
Properties	
Glass thickness	12,76-21,52 mm
Thread type	left/ right
Glass holes diameter	Ø14

# Elements for glass canopies

## Double connector wall-tension rod

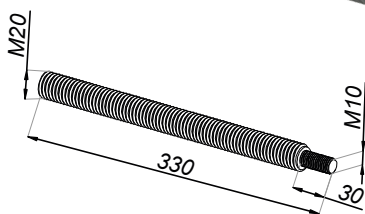
**NLO-DA-636-DOUBLE**



<b>Product code</b>	<b>Material</b>
NLO-DA-636/304-DOUBLE	steel 304
<b>Properties</b>	
<b>Thread type</b>	right

## Rod

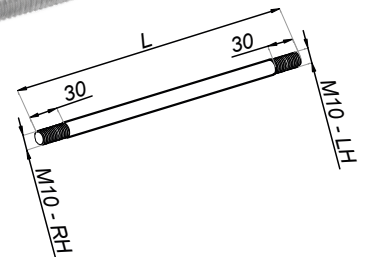
**NLO-DA-M20/M10**



<b>Product code</b>	<b>Material</b>
NLO-DA-M20/M10	steel 304
<b>Properties</b>	
<b>Thread type</b>	right M20 / M10
<b>Thread length</b>	330mm

## Tension rod

**NLO-DA-003**



<b>Product code</b>	<b>Length</b>
NLO-DA-003-195	195 mm
NLO-DA-003-150	150 mm
NLO-DA-003-120	120 mm
NLO-DA-003-100	100 mm
<b>Properties</b>	
<b>Material</b>	steel 304
<b>Thread type</b>	left/ right